

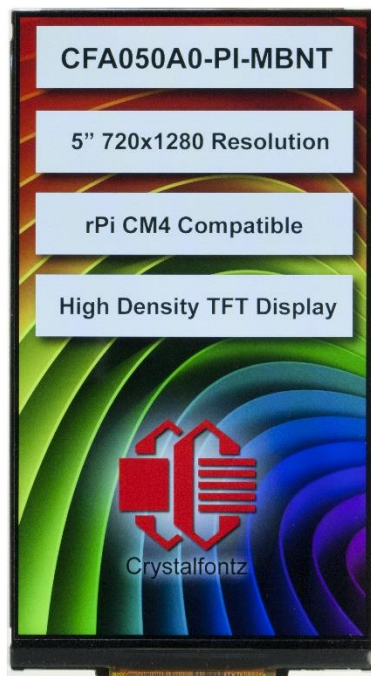


## **CFA050A0-PI-MBxT Family**

# TFT GRAPHIC DISPLAY MODULES WITH GRAPHIC ACCELERATOR BOARD DATASHEET

CFA050A0-PI-MBCT  
CFA050A0-PI-MBNT

Datasheet Release Date 2024-03-14



## **Crystalfontz America, Inc.**

12412 East Saltese Avenue  
Spokane Valley, WA 99216-0357  
Phone: 888-206-9720  
Fax: 509-892-1203  
Email: [support@crystalfontz.com](mailto:support@crystalfontz.com)  
URL: [www.crystalfontz.com](http://www.crystalfontz.com)



## CONTENTS

1. General Information .....	3
2. Introduction .....	4
3. Features .....	4
3.1. TFT Display Module Features .....	4
3.2. Mechanical Data.....	4
3.3. Raspberry Pi CM4 Features.....	5
3.4. Crystalfontz Documentation / Resources .....	5
3.5. Block Diagram .....	5
4. Mechanical Drawing - CFA050A0-PI-MBCT.....	6
5. Mechanical Drawing - CFA050A0-PI-MBNT.....	7
6. Header Functions.....	8
7. Jumper Configurations.....	11
8. Electrical Characteristics.....	12
8.1. Absolute Maximum Ratings.....	12
8.2. Electrical Characteristics .....	12
9. Optical Characteristics .....	12
10. Module Precautions .....	13
10.1. ESD (Electrostatic Discharge).....	13
10.2. Design and Mounting.....	13
10.3. Mechanical Shock, Impact, Torque, or Tension.....	13
10.4. LCD Panel Breakage.....	13
10.5. Cleaning .....	13
10.6. Operation.....	13
10.7. Storage and Recycling .....	14



## 1. General Information

### Datasheet Revision History

Datasheet Release: 2024-03-14  
Datasheet for the CFA050A0-PI-MBxT Family TFT graphic display module.

### Product Change Notifications

You can check for or subscribe to [Part Change Notices](#) for this display module on our website.

### Variations

Slight variations between lots are normal (e.g., contrast, color, or intensity).

### Volatility

This display module has volatile memory.

### Disclaimer

Certain applications using Crystalfontz America, Inc. products may involve potential risks of death, personal injury, or severe property or environmental damage ("Critical Applications"). CRYSTALFONTZ AMERICA, INC. PRODUCTS ARE NOT DESIGNED, INTENDED, AUTHORIZED, OR WARRANTED TO BE SUITABLE FOR USE IN LIFE-SUPPORT APPLICATIONS, DEVICES OR SYSTEMS OR OTHER CRITICAL APPLICATIONS. Inclusion of Crystalfontz America, Inc. products in such applications is understood to be fully at the risk of the customer. In order to minimize risks associated with customer applications, adequate design and operating safeguards should be provided by the customer to minimize inherent or procedural hazard. Please contact us if you have any questions concerning potential risk applications.

Crystalfontz America, Inc. assumes no liability for applications assistance, customer product design, software performance, or infringements of patents or services described herein. Nor does Crystalfontz America, Inc. warrant or represent that any license, either express or implied, is granted under any patent right, copyright, or other intellectual property right of Crystalfontz America, Inc. covering or relating to any combination, machine, or process in which our products or services might be or are used.

All specifications in datasheets on our website are, to the best of our knowledge, accurate but not guaranteed. Corrections to specifications are made as any inaccuracies are discovered.

Company and product names mentioned in this publication are trademarks or registered trademarks of their respective owners.

Copyright © 2024 by Crystalfontz America, Inc., 12412 East Saltese Avenue, Spokane Valley, WA 99216 U.S.A.



## 2. Introduction

This family of modules takes the complexity out of designing a high-resolution display into an end product or hobby project. With the potential to utilize 32 separate GPIOs, PCIe, USB, and Ethernet, the possibilities are endless.

The module integrates a full color, 5-inch, 720x1280 resolution TFT display with a Raspberry Pi CM4 or other compatible compute module. It has a 40-pin header similar to the standard Raspberry Pi header allowing Pi HATs to be plugged in. It also has an additional expansion header with USB, Ethernet, PCIe, USB, and additional GPIOs for daughter boards or cables to be used.

The high PPI and In-Plane Switching (IPS) make this a sharp looking display at any angle. Fully integrated into the Raspberry Pi OS, all it takes are some overlays in the config.txt file to get this display up and running.

The following touch options are available:  
CFA050A0-PI-MBCT – Capacitive touchscreen  
CFA050A0-PI-MBNT – No touchscreen

## 3. Features

### 3.1. TFT Display Module Features

- Raspberry Pi CM4 compatible
  - TFT Display works after a quick edit to the config.txt file
- 294 PPI, 720x1280, 5" TFT display with [cap-touch](#) or [non-touch](#) options
- 40-pin Raspberry Pi compatible header for Pi Hats
- Built in RTC (CR1225 not included)
- Micro USB
- Expansion Header with USB, PCIe, Ethernet, and GPIOs for daughter boards
- 2mm Barrel jack for power
- Flexibility to power via 5V or to integrate a power regulator for any input voltage
- Operating Temperature: -20° - 70°C
- 9 mounting nuts
  - 4 to secure the compute module: M2.5-0.45, 1.5mm depth
  - 4 to mount to an enclosure: M2.5-0.45, 4.0mm depth
  - 1 to secure a J13 expansion board: M2.5-0.45, 4.0mm depth

### 3.2. Mechanical Data

Item		Specification (mm)	Specification (inch, reference)
Active Area		62.1 x 110.4	2.89 x 5.02
Pixel Pitch		0.08625 x 0.08625	0.003 x 0.003
CFA050A0-PI-MBCT	Weight (Typical)	104.4 grams	3.68 ounces
	Overall Width, Height, and Depth	73.3 x 127.6 x 20.0	2.89 x 5.02 x 0.79
CFA050A0-PI-MBNT	Weight (Typical)	71.7 grams	2.53 ounces
	Overall Width, Height, and Depth	66.1 x 120.4 x 18.4	2.6 x 4.74 x 0.72



### 3.3. Raspberry Pi CM4 Features

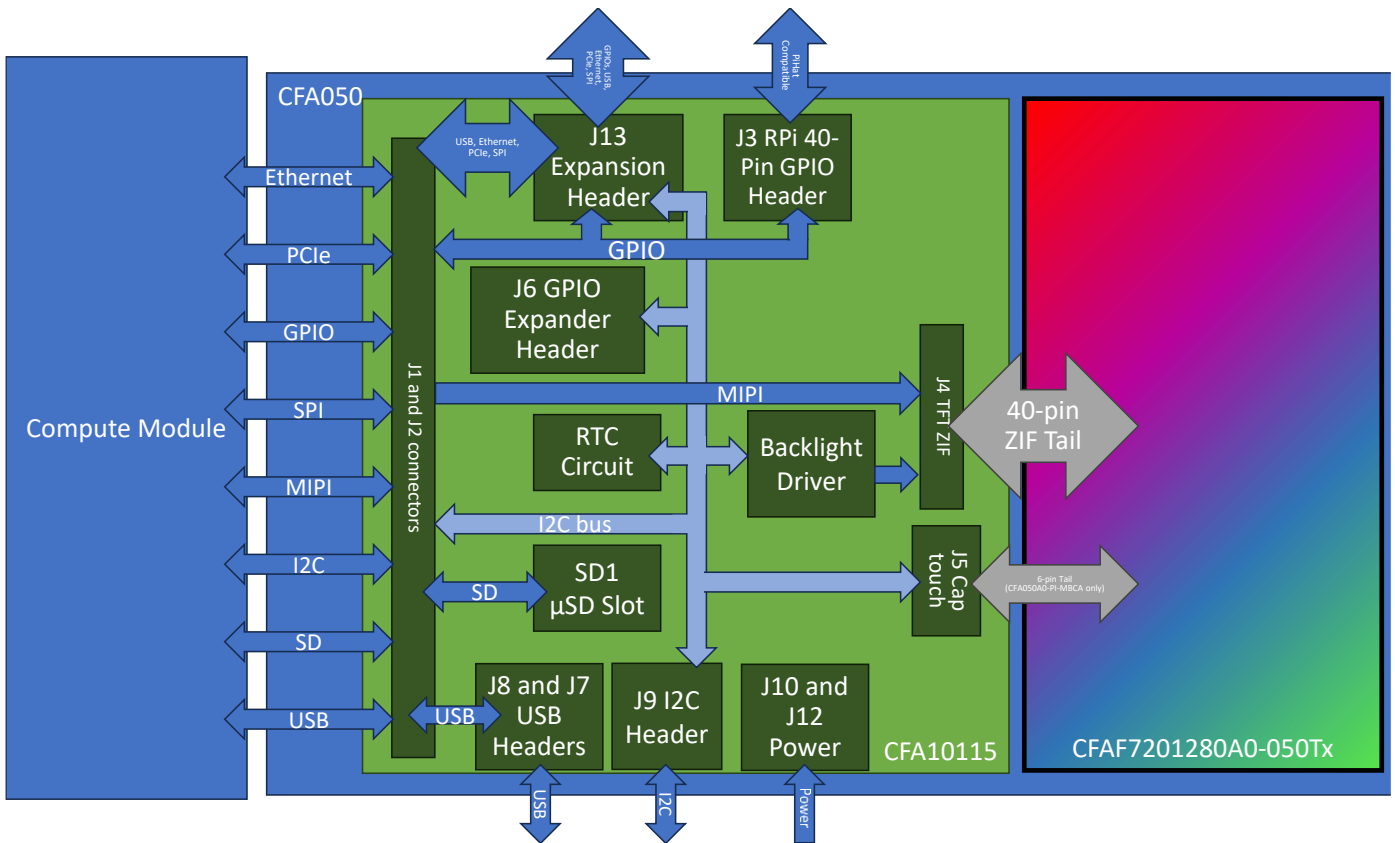
- For more information on the CM4, visit their page here:  
<https://www.raspberrypi.com/products/compute-module-4/?variant=raspberry-pi-cm4001000>

### 3.4. Crystalfontz Documentation / Resources

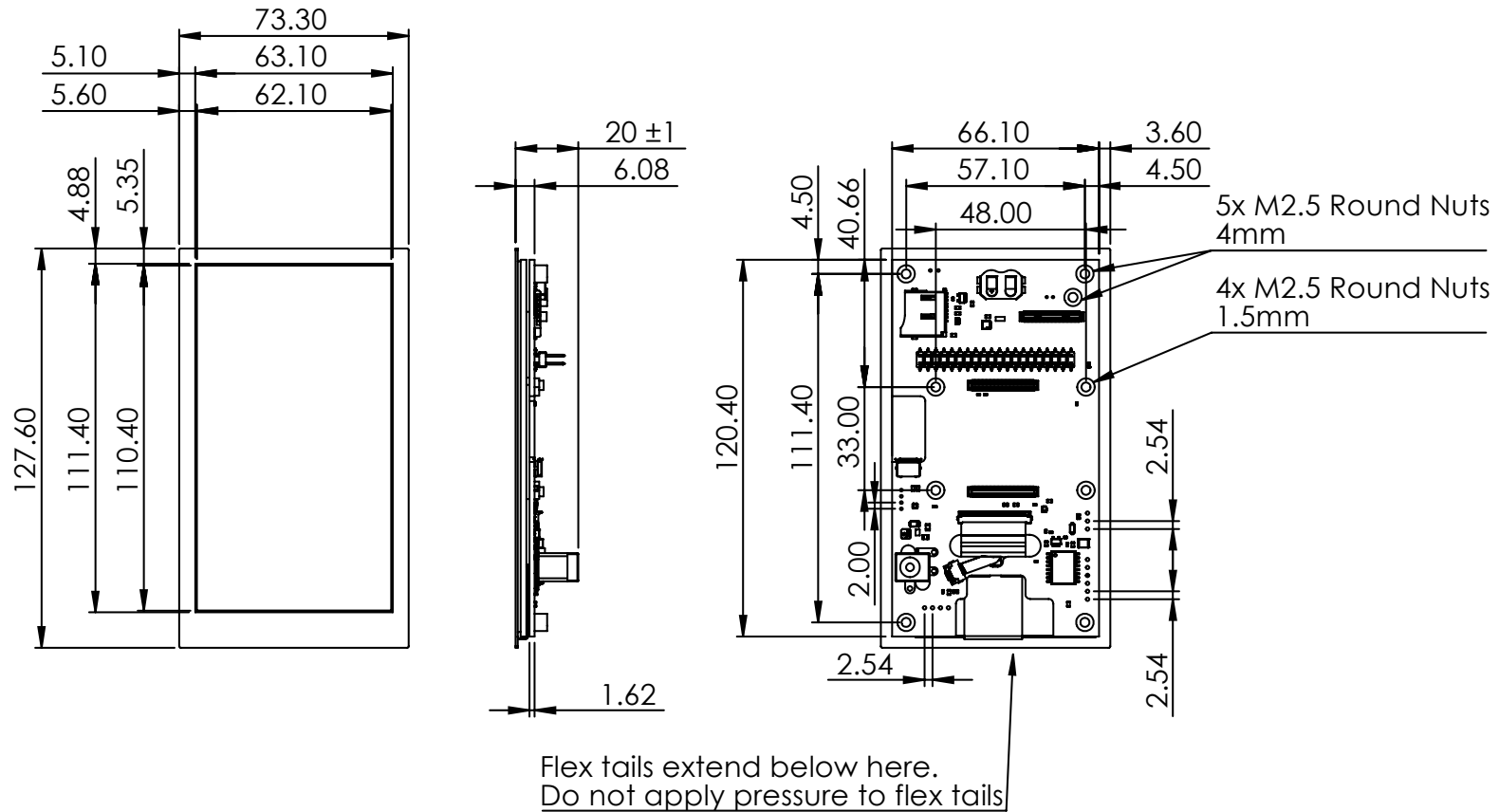
- OS Setup: [https://github.com/crystalfontz/CFA050\\_PI\\_M/blob/main/OS-Setup.md](https://github.com/crystalfontz/CFA050_PI_M/blob/main/OS-Setup.md)
- General instructions: [https://github.com/crystalfontz/CFA050\\_PI\\_M](https://github.com/crystalfontz/CFA050_PI_M)

### 3.5. Block Diagram

The diagram below is a basic overview of the CFA10115 PCB used to create the modules in the CFA050A0-PI-MBxT Family.



### 4. Mechanical Drawing - CFA050A0-PI-MBCT

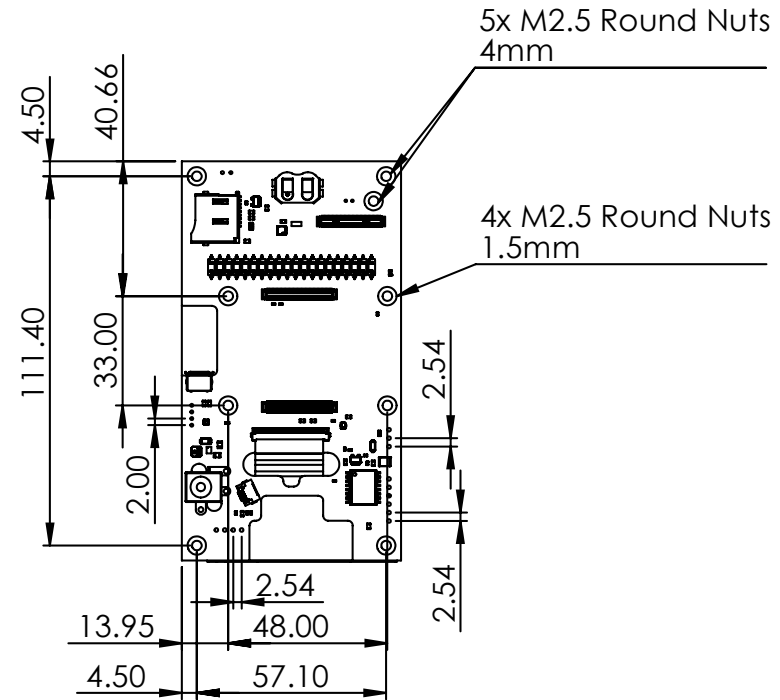
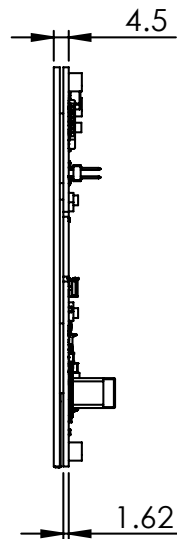
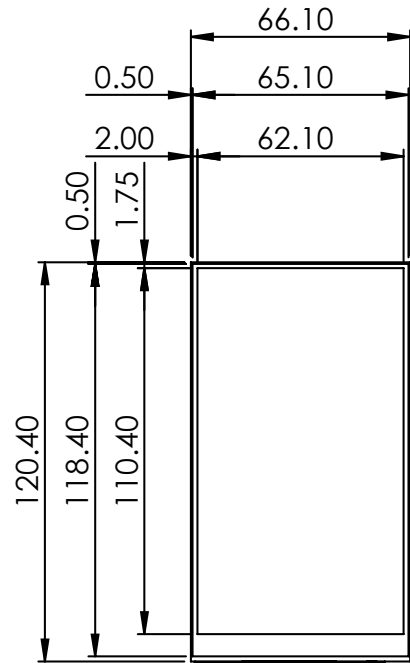


Units: millimeters  
Tolerance: ±0.3mm

Touchscreen	Capacitive
Brightness	250 nits
Viewing Direction	ANY
Operating Temperature	-20 to 70C
Voltage Levels	Logic: 3.3v



### 5. Mechanical Drawing - CFA050A0-PI-MBNT



5x M2.5 Round Nuts  
4mm

4x M2.5 Round Nuts  
1.5mm

Flex tails extend below here.  
Do not apply pressure to flex tails

Units: millimeters  
Tolerance: ±0.3mm

Touchscreen	None
Brightness	300 nits
Viewing Direction	ANY
Operating Temperature	-20 to 70C
Voltage Levels	Logic: 3.3v





## 6. Header Functions

There are six external headers:

1. **J3** – Standard 40 pin 0.1” pitch connector. Compatible with the Raspberry Pi header used on their standard modules. Populated on the base part.
2. **J6** – Standard 6 pin 0.1” pitch connector. Breaks out extra GPIOs from the I/O expander chip, PCF8574ADWR. Non-populated on the base part.
3. **J7** – Standard 4 pin 2mm header. Breaks out the USB pins for alternate USB connections. Non-populated on the base part.
4. **J9** – Standard 4 pin 0.1” pitch connector. Breaks out I2C. Non-populated on the base part.
5. **J10** – [2mm Barell Jack](#) by CUI Devices. Provides power to the compute module and display. JMP6 can be closed to connect this to 5V or a regulator can be used at J12 or J13. Populated on the base part.
6. **J12** – Standard 3 pin 0.1” pitch connector. Breaks out J10\_PWR and VDD to be used with a voltage regulator. Non-populated on the base part.
7. **J13** – Fine pitch 90 pin header in the same family of headers used on the compute module. It is the [DF40HC\(4.0\)-90DS-0.4V\(51\)](#) by Hirose. Breaks out several GPIOs, USB, Ethernet, PCIe, I2C, SPI, and all power nets. Populated on the base part.

J3 Connection with CM4		
Pin	Symbol	Function
1	VCC	3.3V supplied by the Raspberry Pi. Do not provide external 3.3V.
2	VDD	5V power. Must be supplied externally.
3	GPIO2	General Purpose IO. Consult the compute module’s datasheet for additional uses.
4	VDD	5V power. Must be supplied externally.
5	GPIO3	General Purpose IO. Consult the compute module’s datasheet for additional uses.
6	GND	Ground.
7	GPIO4	General Purpose IO. Consult the compute module’s datasheet for additional uses.
8	GPIO14	General Purpose IO. Consult the compute module’s datasheet for additional uses.
9	GND	Ground.
10	GPIO15	General Purpose IO. Consult the compute module’s datasheet for additional uses.
11	GPIO17	General Purpose IO. Consult the compute module’s datasheet for additional uses.
12	GPIO18	General Purpose IO. Consult the compute module’s datasheet for additional uses.
13	GPIO27	General Purpose IO. Consult the compute module’s datasheet for additional uses.
14	GND	Ground.
15	GPIO22	General Purpose IO. Consult the compute module’s datasheet for additional uses.
16	GPIO23	General Purpose IO. Consult the compute module’s datasheet for additional uses.
17	VCC	3.3V supplied by the Raspberry Pi. Do not provide external 3.3V.
18	GPIO24	General Purpose IO. Consult the compute module’s datasheet for additional uses.
19	GPIO10	General Purpose IO. Consult the compute module’s datasheet for additional uses.
20	GND	Ground.
21	GPIO9	General Purpose IO. Consult the compute module’s datasheet for additional uses.
22	GPIO25	General Purpose IO. Consult the compute module’s datasheet for additional uses.
23	GPIO11	General Purpose IO. Consult the compute module’s datasheet for additional uses.
24	GPIO8	General Purpose IO. Consult the compute module’s datasheet for additional uses.
25	GND	Ground.
26	GPIO7	General Purpose IO. Consult the compute module’s datasheet for additional uses.
27	ID_SD	Reserved for HAT ID EEPROM. Do not connect with anything else.
28	ID_SC	Reserved for HAT ID EEPROM. Do not connect with anything else.





29	GPIO5	General Purpose IO. Consult the compute module's datasheet for additional uses.
30	GND	Ground.
31	GPIO6	General Purpose IO. Consult the compute module's datasheet for additional uses.
32	GPIO12	General Purpose IO. Consult the compute module's datasheet for additional uses.
33	GPIO13	General Purpose IO. Consult the compute module's datasheet for additional uses.
34	GND	Ground.
35	GPIO19	General Purpose IO. Consult the compute module's datasheet for additional uses.
36	GPIO16	General Purpose IO. Consult the compute module's datasheet for additional uses.
37	GPIO26	General Purpose IO. Consult the compute module's datasheet for additional uses. Used by default as the Touch Point Interrupt for the capacitive touch screen. JMP_G26 needs to be closed to connect this to the compute module.
38	GPIO20	General Purpose IO. Consult the compute module's datasheet for additional uses.
39	GND	Ground.
40	GPIO21	General Purpose IO. Consult the compute module's datasheet for additional uses.

#### J6 Connection with CM4

Pin	Symbol	Function
1	U2_GPIO2	Expansion GPIO. See GPIO section of the README.md doc.
2	U2_GPIO3	Expansion GPIO. See GPIO section of the README.md doc.
3	U2_GPIO4	Expansion GPIO. See GPIO section of the README.md doc.
4	U2_GPIO5	Expansion GPIO. See GPIO section of the README.md doc.
5	U2_GPIO6	Expansion GPIO. See GPIO section of the README.md doc.
6	U2_GPIO7	Expansion GPIO. See GPIO section of the README.md doc.

#### J7 Connection with CM4

Pin	Symbol	Function
1	USB_VDD	USB Power. See jumper configuration to connect to VDD.
2	USB_N	USB data negative signal.
3	USB_P	USB data positive signal.
4	GND	Ground

Note: See jumper configuration section to set USB to J7 or J13. USB is defaulted to J7.

#### J9 Connection with CM4

Pin	Symbol	Function
1	VCC	3.3V supplied by the Raspberry Pi. Do not provide external 3.3V.
2	SCL0	Clock line for I2C.
3	SDA	Data line for I2C.
4	VDD	5V power. Must be supplied externally.

#### J12 Connection with CM4

Pin	Symbol	Function
1	J10_PWR	External power connected to the J10 header. By default this is not connected to any net. Consult the Jumper Configuration section of this datasheet for connection information.
2	GND	Ground.
3	J12_PWR	5V Power. Connected by JMP5 to VDD by default.



J13 Expansion Header		
Pin	Symbol	Function
1,3,5,7,9,11	J10_PWR	External power connected to the J10 header. By default this is not connected to any net. Consult section 7 for more information.
13,15,17,19,21,23	VDD	5V power. Must be supplied externally.
25,27,29,31,33,35	VCC	3.3V supplied by the Raspberry Pi. Do not provide external 3.3V.
2,4,10,14,20,26,32,44,50,56,62,67,68,73,74,79,80,85,88,90	GND	Ground.
36,38,40,41,42,43,45,46,47,48,49,51,52,53,54,55,58,60,64,66	NC	Do Not Use. Reserved for future features.
6	SDA0	Data line for I2C.
8	SCL0	Clock line for I2C.
12	PCIe_CLK_REQ	PCIe clock request pin.
16	PCIe_CLK_P	PCIe clock positive signal.
18	PCIe_CLK_N	PCIe clock negative signal.
22	PCIe_RX_P	PCIe Rx positive signal.
24	PCIe_RX_N	PCIe Rx negative signal.
28	PCIe_TX_P	PCIe Tx positive signal.
30	PCIe_TX_N	PCIe Tx negative signal.
34	PCIe_nRST	PCIe reset pin.
37	nEXTRST	External Reset. Low when the compute module is powered off. Pulled high when the compute module is powered on.
39	GLOBAL_EN	Global Enable. Pull low to power off.
57	GPIO10	General Purpose IO. Consult the compute module's datasheet for additional uses.
59	GPIO9	General Purpose IO. Consult the compute module's datasheet for additional uses.
61	GPIO11	General Purpose IO. Consult the compute module's datasheet for additional uses.
63	GPIO8	General Purpose IO. Consult the compute module's datasheet for additional uses.
65	USB_SEL	USB Select. L = USB at micro USB and J7 headers. H = USB at J13 Expansion Header. Default = Pulled low with 10k resistor.
69	USB_P	USB data positive signal.
70	ETH_P3_P	Ethernet P3 data positive signal.
71	USB_N	USB data negative signal.
72	ETH_P3_N	Ethernet P3 data negative signal.
75	ETH_P1_P	Ethernet P1 data positive signal.
76	ETH_P2_P	Ethernet P2 data positive signal.
77	ETH_P1_N	Ethernet P1 data negative signal.
78	ETH_P2_N	Ethernet P2 data negative signal.
81	ETH_P0_P	Ethernet P0 data positive signal.
82	ETH_nLED3	Ethernet LED 3.
83	ETH_P0_N	Ethernet P0 data negative signal.
84	ETH_nLED2	Ethernet LED 2.
86	ETH_nLED1	Ethernet LED 1.
87	ETH_SYNC_IN	Ethernet SYNC input pin.
89	ETH_SYNC_OUT	Ethernet SYNC output pin.

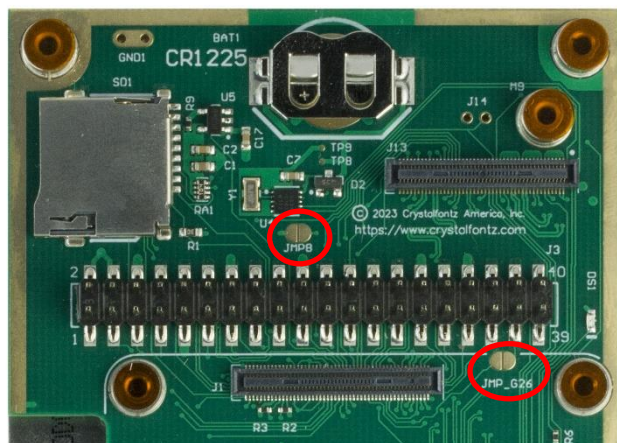
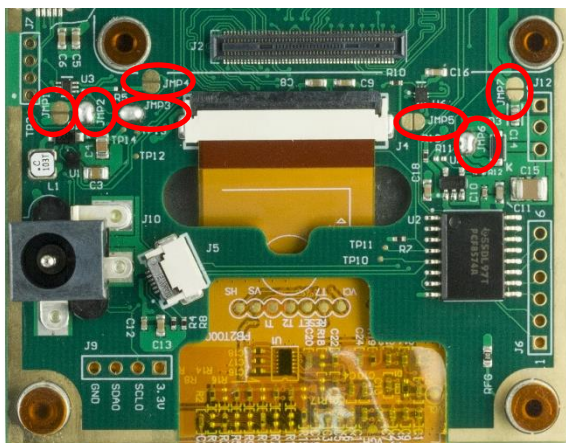


## 7. Jumper Configurations

The module has nine jumpers that can be configured.

- JMP1** – USB\_VDD -> J10\_PWR  
Open (default): No Effect.  
Closed: Connects USB\_VDD to J10\_PWR. Useful if you want to drive the USB power rail with the J10 barrel jack.
- JMP2** – USB\_VDD -> VDD  
Open: No Effect.  
Closed (default): Connects USB\_VDD to VDD. Close if you want to the USB power rail connected to VDD.
- JMP3** – USB\_OTG\_ID -> USB\_ID  
Open: CM4 internal resistor makes the USB a peripheral by default.  
Closed (default): Connects USB\_ID to USB\_OTG\_ID on the compute module. Tells the CM4 whether it's the host or a peripheral based on which type of USB cable is connected.
- JMP4** – USB\_OTG\_ID -> GROUND  
Open (default): CM4 internal resistor makes the USB a peripheral by default.  
Closed: Pulls USB\_OTG\_ID on the compute module to ground.
- JMP5** – USB SELECT PIN  
Open (default): USB connects to J7 and micro USB.  
Closed: USB connects to J13.
- JMP6** – J12\_PWR -> VDD  
Open: No Effect.  
Closed (default): Connects 5V power from J12 to VDD.
- JMP7** – J10\_PWR -> VDD  
Open (default): No Effect.  
Closed: Connects VDD to J10\_PWR
- JMP8** – EEPROM WRITE PROTECTION  
Open (default): No Effect.  
Closed: Connects EEPROM\_nWP to ground to prevent writing to the EEPROM.
- JMP\_G26** – GPIO26 -> J13  
Open (default): GPIO26 not connected to J3. Used by default as the Touch Point Interrupt for the capacitive touch screen.  
Closed: Connects GPIO26 to the pin 37 on J3.

Below are images of the jumper locations.





## 8. Electrical Characteristics

### 8.1. Absolute Maximum Ratings

Parameter	Symbol	Min	Max	Unit
Main Supply Voltage	V <sub>DD</sub>	-0.5	6	V
Aux Supply Voltage	V <sub>CC</sub>	-0.5	5.5	V
Operating Temperature	T <sub>OP</sub>	-20	70	°C
Storage Temperature	T <sub>STG</sub>	-30	80	°C

Note: These are stress ratings only. Extended exposure to the absolute maximum ratings listed above may affect device reliability or cause permanent damage. Functional operation should be restricted to the limits in the Electrical Characteristics table below.

### 8.2. Electrical Characteristics

Item	Symbol	Condition	Min	Typ	Max	Unit
Main Supply Voltage	V <sub>DD</sub>	-	4.75	5.0	5.25	V
Aux Supply Voltage	V <sub>CC</sub>	-	2.7	3.3	3.6	V <sup>(1)</sup>
Operating Current	I <sub>DD</sub>	V <sub>DD</sub> = 5V BL = 100%	-	266	293	mA <sup>(2)</sup>
		V <sub>DD</sub> = 5V BL = 0%	-	62	-	mA <sup>(2)</sup>
High-level Input	V <sub>IH</sub>	-	0.7 x V <sub>CC</sub>	-	V <sub>CC</sub>	V <sup>(3)</sup>
Low-level Input	V <sub>IL</sub>	-	-	-	0.3 x V <sub>CC</sub>	V <sup>(3)</sup>

(1) This voltage is to be supplied by the compute module.

(2) This does not include the compute module power. Consult the appropriate compute module datasheet for the additional power requirements.

(3) This is the logic for the additional ICs which are all powered at 3.3V. This includes the Backlight Driver, Expansion GPIO IC, RTC IC, and other supporting ICs.

## 9. Optical Characteristics

Item	Symbol	Condition	Min	Typ	Max	Unit
Response Time	T <sub>r</sub>	θ=0°	-	10	15	ms
	T <sub>f</sub>	Φ=0°	-	20	25	
Contrast Ratio	(CR)	-	640	800	-	-
Viewing Angle	Horizontal	θ <sub>L</sub>	-	80	-	Degree
		θ <sub>R</sub>	-	80	-	
	Vertical	θ <sub>T</sub>	-	80	-	
		θ <sub>B</sub>	-	80	-	
Luminance	L	θ=0° Φ=0° Cap Touch	200	250	-	cd/m <sup>2</sup>
		θ=0° Φ=0° Non-Touch	250	300	-	
Color Chromaticity	White	W <sub>X</sub>	0.283	0.303	0.323	
		W <sub>Y</sub>	0.303	0.323	0.343	



## 10. Module Precautions

The precautions below should be followed when using LCD modules to help ensure personal safety, module performance, and compliance of environmental regulations.

### 10.1. ESD (Electrostatic Discharge)

If present, the USB D+ & D- lines have enhanced ESD protection following industry standard USB2 practice.

The remainder of this circuitry is industry standard CMOS logic and susceptible to ESD damage.

Please use industry standard antistatic precautions, as you would for any other static sensitive device such as expansion cards, motherboards, or integrated circuits. Ground your body, work surfaces, and equipment.

### 10.2. Design and Mounting

- The exposed surface of the display is either a touch-sensitive panel or a polarizer laminated on top of the glass. To protect the surface from damage, the module ships with a protective film over the display. Please peel off the protective film slowly. Peeling off the protective film abruptly may generate static electricity.
- If the display does not have a touch-sensitive panel, to protect the soft plastic polarizer from damage, place a transparent plate (for example, acrylic, polycarbonate or glass), in front of the module, leaving a small gap between the plate and the display surface.
- Do not disassemble or modify the module.
- Do not modify the six tabs of the metal bezel or make connections to them.
- Do not reverse polarity to the power supply connections. Reversing polarity will immediately ruin the module.

### 10.3. Mechanical Shock, Impact, Torque, or Tension

- Do not expose the module to strong mechanical shock, impact, torque, or tension.
- Do not drop, toss, bend, or twist the module.
- Do not place weight or pressure on the module.

### 10.4. LCD Panel Breakage

- If the LCD panel breaks, be careful to not get the liquid crystal fluid in your mouth or eyes.
- If the liquid crystal fluid touches your skin, clothes, or work surface, wash it off immediately using warm soapy water.

### 10.5. Cleaning

- The display surface can easily be scratched or become hazy, so use extra care when you clean it.
- Do not clean the display surface with liquids.
- If the display surface becomes dusty, carefully blow it off with clean, dry, oil-free compressed air.
- Use the removable protective film to remove smudges (for example, fingerprints), and any foreign matter. If you no longer have the protective film, use standard transparent office tape (for example, Scotch® brand "Crystal Clear Tape").
- If the above methods are not adequate, gently wipe using a very soft, clean, dry, lint free cloth (such as a microfiber towelette).
- Contact with moisture may permanently spot or stain the polarizer.

### 10.6. Operation

- Protect the module from ESD and power supply transients.
- Observe the operating temperature limitations: a minimum of -20°C to a maximum of +70°C with minimal fluctuation. Operation outside of these limits may shorten life and/or harm display.
- At lower temperatures of this range, response time is delayed.
- At higher temperatures of this range, display becomes dark (you may need to adjust the contrast).
- Operate away from dust, moisture, and direct sunlight.
- Adjust backlight brightness so the display is readable, but not too bright.



- Dim or turn off the backlight during periods of inactivity to conserve the backlight lifetime.

## 10.7. Storage and Recycling

- Store in an ESD-approved container away from dust, moisture, and direct sunlight.
- Observe the storage temperature limitations: -30°C minimum, +80°C maximum with minimal fluctuation. Rapid temperature changes can cause moisture to form, resulting in permanent damage.
- Do not allow weight to be placed on the module while in storage.
- Please recycle your outdated Crystalfontz modules at an approved facility.