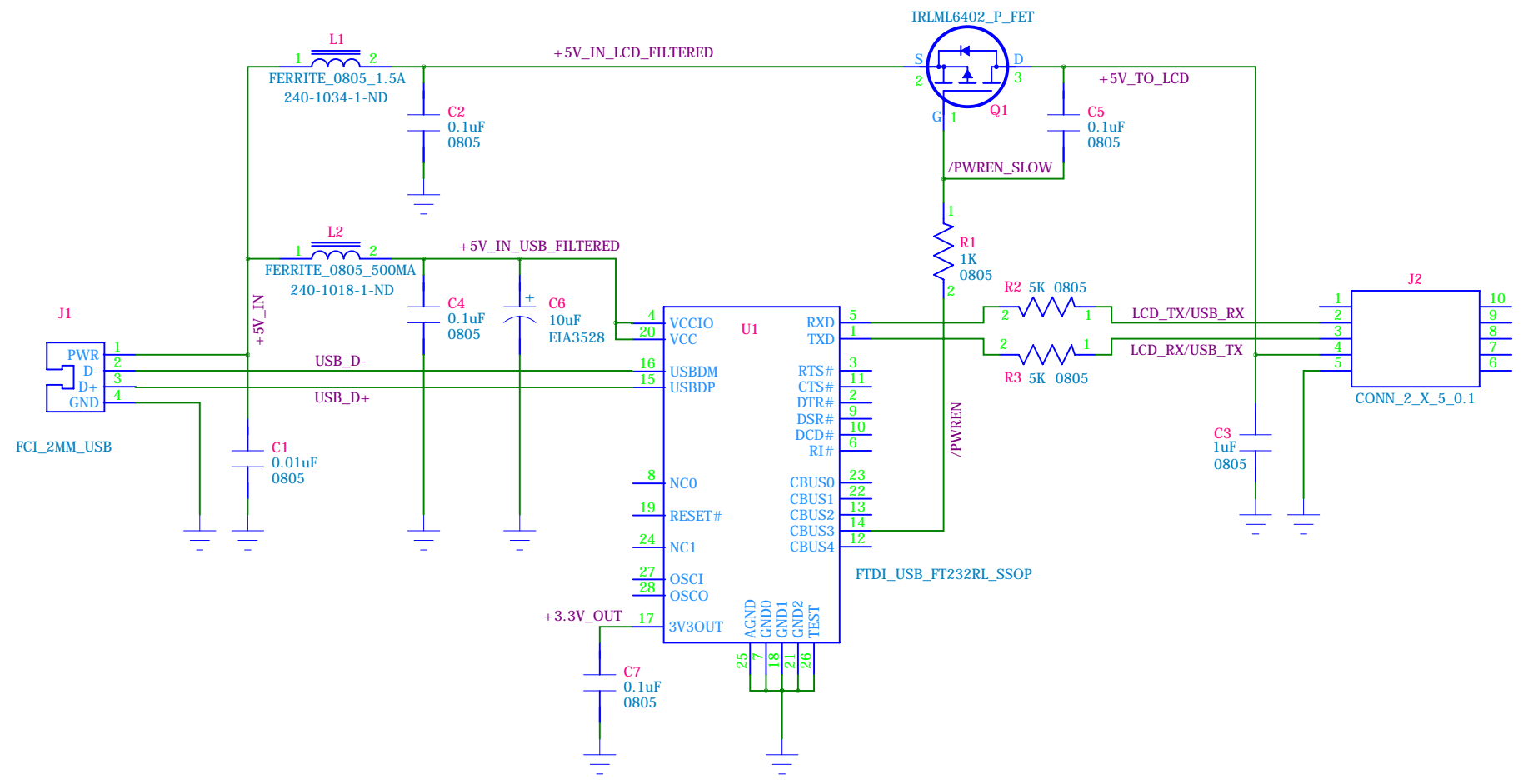


REV	ENGINEER	DATE	REMARKS
v1.0	BAC	2006-02-25	Initial Creation
v1.1	BAC	2008-06-19	Add Latch-up Resistors
-	-	-	-
-	-	-	-
-	-	-	-



This schematic is provided for reference only. Copyright © 2015 Crystalfontz America, Inc. All Rights Reserved. Unpublished rights reserved under the copyright laws of the United States of America, other countries and international treaties. This schematic is provided without fee. Permission to use, copy, store, modify, disclose, transmit or distribute the schematic is granted, provided that this copyright notice must appear in any copy, modification, disclosure, transmission or distribution of the schematic. Crystalfontz America, Inc. retains all ownership, copyright, trade secret and proprietary rights in the schematic. THIS SCHEMATIC IS PROVIDED "AS IS", WITHOUT EXPRESS OR IMPLIED WARRANTY INCLUDING, WITHOUT LIMITATION, IMPLIED WARRANTIES OF MERCHANTABILITY, FITNESS FOR A PARTICULAR USE AND NON-INFRINGEMENT.

Crystalfontz America, Inc.

633USB: USB <> UART converter using FTDI

Page 1/1 :Schematic

FILE NAME:  
CFA\_USB\_v11.sch

REVISION:  
v1.1