



TFT DISPLAY MODULE DATASHEET



Datasheet Release Date 2017-10-18
for

CFAF240320W Series

- **CFAF240320W-020T**
- **CFAF240320W-020T-TS**

Crystalfontz America, Inc.

12412 East Saltese Avenue
Spokane Valley, WA 99216-0357
Phone: 888-206-9720
Fax: 509-892-1203

Email: support@crystalfontz.com
URL: www.crystalfontz.com

CONTENTS

1. General Information	3
2. Module Description	4
3. Variants	4
4. Features	4
5. Mechanical Data	4
6. Mechanical Drawings	5
7. System Block Diagram	7
8. Interface Pin Function	8
9. Absolute Maximum Ratings	9
10. Electrical Characteristics	9
11. ESD (Electro-Static Discharge)	9
12. LED Backlight Characteristics	9
13. Optical Characteristics	10
14. Backlight Characteristics	10
15. About the 4-Wire Resistive Touch Screen	11
16. AC Characteristics	12
17. LCD Module Precautions	17

1. General Information

Datasheet Revision History

Datasheet Release: **2017-10-18**
Datasheet for the CFAF240320W Series graphic display modules.

Product Change Notifications

You can check for or subscribe to [Part Change Notices](#) for this display module on our website.

Variations

Slight variations between lots are normal (e.g., contrast, color, or intensity).

Volatility

This display module has volatile memory.

Disclaimer

Certain applications using CrystalFontz America, Inc. products may involve potential risks of death, personal injury, or severe property or environmental damage ("Critical Applications"). CRYSTALFONTZ AMERICA, INC. PRODUCTS ARE NOT DESIGNED, INTENDED, AUTHORIZED, OR WARRANTED TO BE SUITABLE FOR USE IN LIFE-SUPPORT APPLICATIONS, DEVICES OR SYSTEMS OR OTHER CRITICAL APPLICATIONS. Inclusion of CrystalFontz America, Inc. products in such applications is understood to be fully at the risk of the customer. In order to minimize risks associated with customer applications, adequate design and operating safeguards should be provided by the customer to minimize inherent or procedural hazard. Please contact us if you have any questions concerning potential risk applications.

CrystalFontz America, Inc. assumes no liability for applications assistance, customer product design, software performance, or infringements of patents or services described herein. Nor does CrystalFontz America, Inc. warrant or represent that any license, either express or implied, is granted under any patent right, copyright, or other intellectual property right of CrystalFontz America, Inc. covering or relating to any combination, machine, or process in which our products or services might be or are used.

All specifications in datasheets on our website are, to the best of our knowledge, accurate but not guaranteed. Corrections to specifications are made as any inaccuracies are discovered.

Company and product names mentioned in this publication are trademarks or registered trademarks of their respective owners.

Copyright © 2017 by CrystalFontz America, Inc., 12412 East Saltese Avenue, Spokane Valley, WA 99216 U.S.A.

2. Module Description

The CFAF240320W series is a full color active matrix TFT LCD that uses an amorphous silicon TFT as a switching device. These displays are composed of a transmissive TFT-LCD panel, driver circuit, and an LED backlight. The resolution of these 2.0-inch diagonal active area displays is 240x320 pixels. They can display up to 65/262K colors. These displays have a built-in Sitronix ST7789V controller.

Please see [Sitronix ST7789V LCD Controller Datasheet](#) for further reference.

3. Variants

- **CFAF240320-020T**: IPS TFT without Touch Screen Feature
- **CFAF240320W-020T-TS**: IPS TFT with Touch Screen Feature

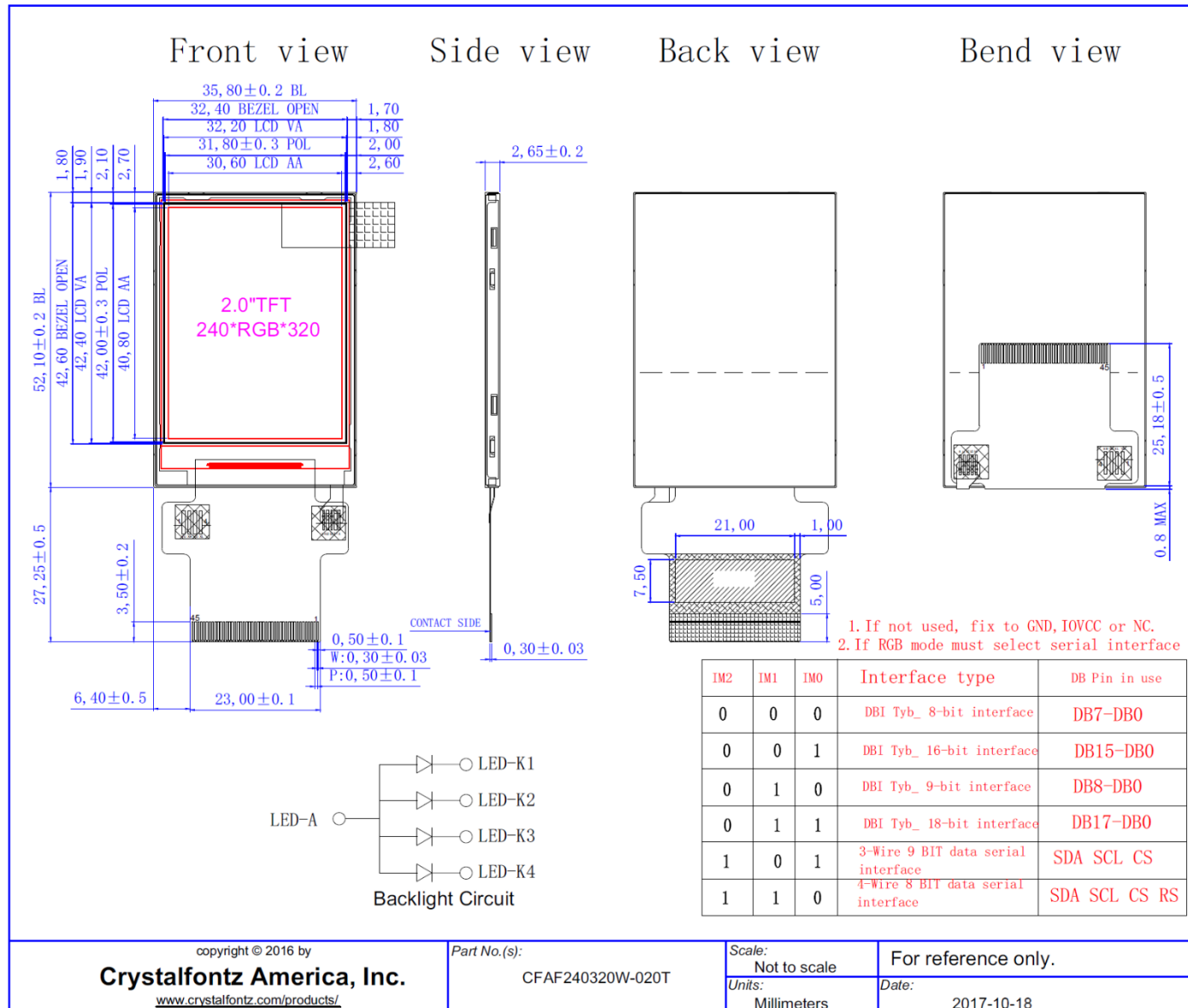
4. Features

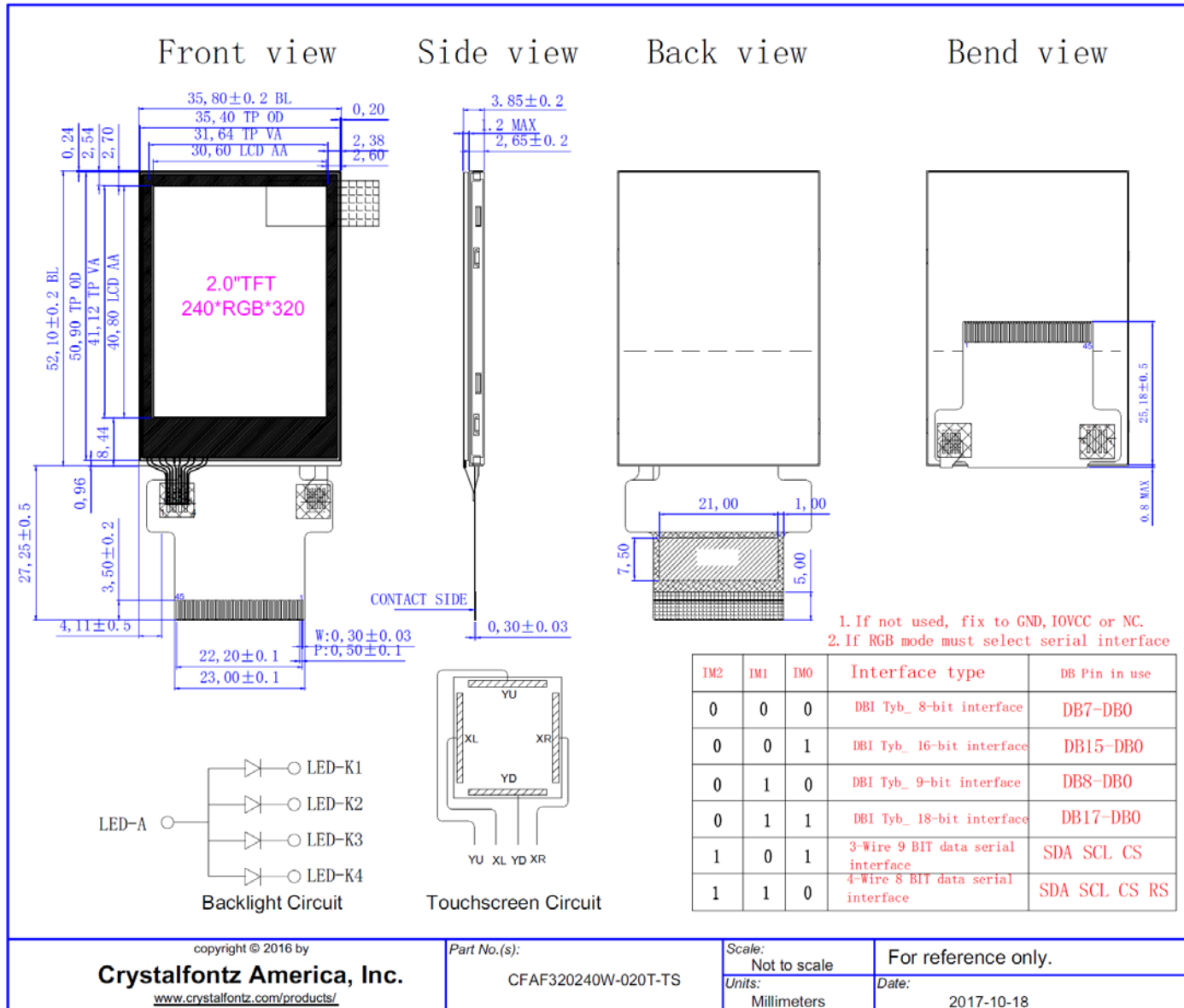
- 240*320 Dot Matrix
- +3.3V Power Supply
- Viewing Direction: All
- Display Colors: 65K/262K
- Operating Temperature: -20°C to +70°C
- Storage Temperature: -30°C to +80°C
- Built-in Controller: ST7789V (or equivalent)
- Interface: 8/9/16/18-Bit MCU, 3/4 SPI + 16/18-Bit RGB, 3-line/4-line Serial

5. Mechanical Data

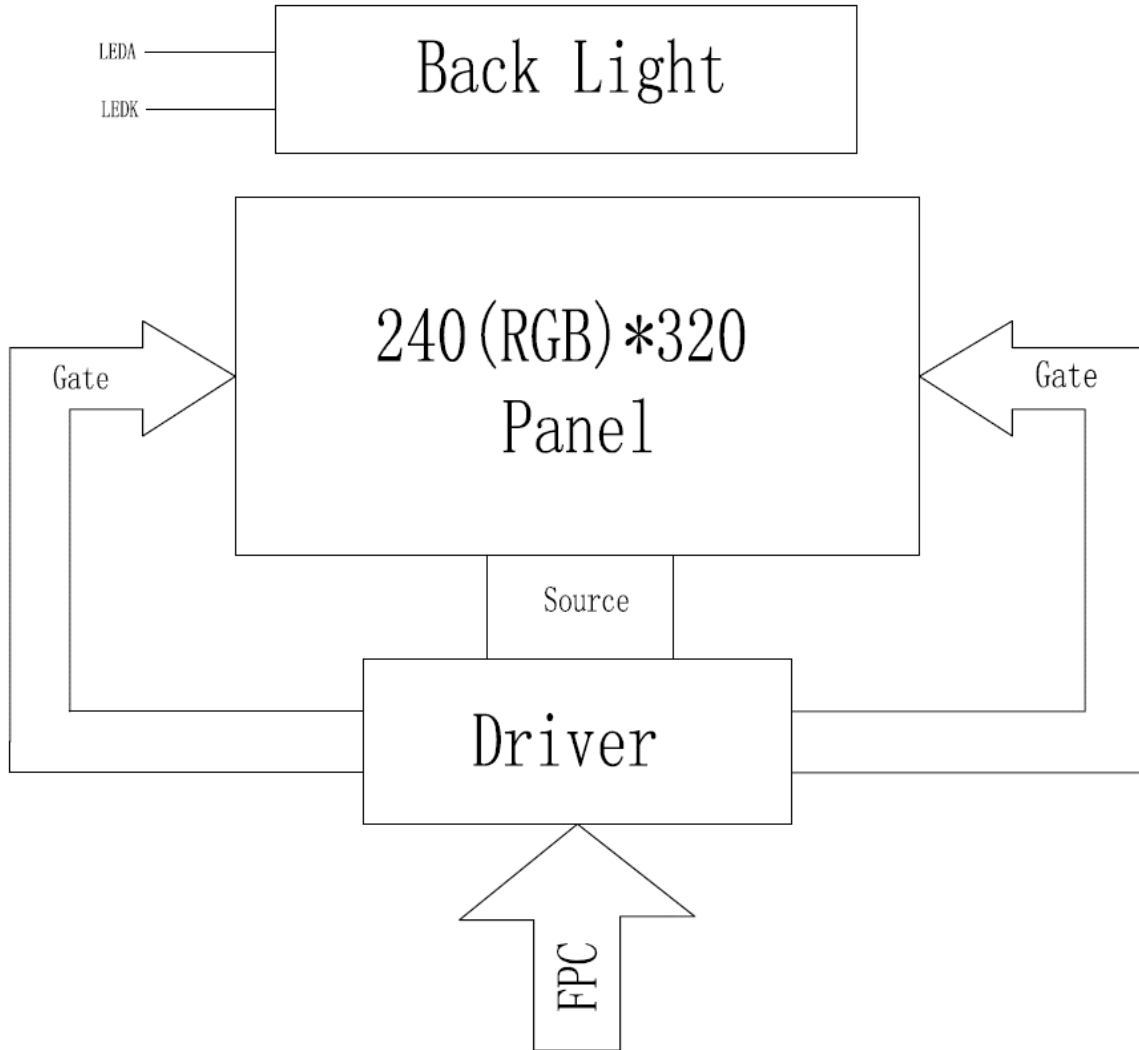
Item	Specification (mm)	Specification (inch, reference)
Overall Module Dimension (with FPC)	35.8 (W) x 52.1 (H) x 2.65 (D)	1.409 (W) x 2.051 (H) x 0.104 (D)
Active Area	30.6 (W) x 40.8 (H) x 2.0 (D)	1.205 (W) x 1.606 (H) x 0.079 (D)
Pixel Pitch	0.1275 (W) x 0.1275 (H)	0.005 (W) x 0.005 (H)
Weight (Typical)	10.7 grams	0.38 ounces

6. Mechanical Drawings





7. System Block Diagram



8. Interface Pin Function

Pin	Symbol	Function
1	GND	Ground
2	VCI	Supply Voltage (3.3v)
3	IOVCC	Supply Voltage (1.65-3.3v)
4	IM2	MPU parallel interface bus and serial interface select IF using RGB Interface must select serial interface. Fix this pin at VCI and GND.
5	IM1	
6	IM0	
7	RESET	This signal will reset the device and must be applied to properly initialize the chip.
8	CS	Chip Select Input Pin ("L" enable)
9	DC (SPI-SCL)	Display data/command selection pin in parallel interface. This pin is used for the serial interface clock. DC='1': display data or parameter. DC='0': command data. Fix this pin at VDDI or DGND when not in use.
10	WR (SPI-RS)	Write enable in MCU parallel interface. Display data/command selection pin in 4-line serial interface. Second data lane in 2 data lane serial interface. Fix this pin at VDDI or DGND when not in use.
11	RD	Serves as a read signal and MCU read data at the rising edge. Fix this pin at VCI or GND when not in use.
12	VSYNC	Frame synchronizing signal for RGB interface operation. Fix this pin at VCI or GND when not in use.
13	HSYNC	Line synchronizing signal for RGB interface operation. Fix this pin at VCI or GND when not in use.
14	ENABLE	Data enable signal for RGB interface operation. Fix this pin at VCI or GND when not in use.
15	DOTCLK	Dot clock signal for RGB interface operation. Fix this pin at VCI or GND when not in use.
16	SDA	Serial Input Signal. Fix to ground when not in use. The data is latched on the rising edge of the SCL signal.
17-34	DB0-DB17	18-bit parallel bi-directional data bus for MCU system and RGB interface mode. Fix to GND level when not in use.
35	SDO	SPI Interface Output Pin. The data is output on the falling edge of the SCL signal. If not in use leave this pin open.
36	LEDA	Anode Pin of Backlight
37	LEDK1	Cathode Pin of Backlight
38	LEDK2	Cathode Pin of Backlight
39	LEDK3	Cathode Pin of Backlight
40	LEDK4	Cathode Pin of Backlight
41	XL	Touch Panel Left Glass Terminal (No Touchscreen = No connection)
42	YU	Touch Panel Top Glass Terminal (No Touchscreen = No connection)
43	XR	Touch Panel Right Glass Terminal (No Touchscreen = No connection)
44	YD	Touch Panel Bottom Glass Terminal (No Touchscreen = No connection)
45	GND	Ground

9. Absolute Maximum Ratings

Parameter	Symbol	Min	Max	Unit	Notes
Digital Supply Voltage	V _{DD}	-0.3	4.6	V	(1)(2)
Digital Interface Supply Voltage	V _{DDIO}	-0.3	4.6	V	(1)(2)
Operating Temperature	T _{OP}	-20	+70	°C	-
Storage Temperature	T _{ST}	-30	+80	°C	-

Notes:

- (1) These are stress ratings only. Extended exposure to the absolute maximum ratings listed above may affect device reliability or cause permanent damage.
- (2) Functional operation should be restricted to the limits in the Electrical Characteristics table below.

10. Electrical Characteristics

Item	Symbol	Min	Typical	Max	Unit
Digital Supply Voltage	V _{DD}	2.4	3.3	3.3	V
Digital Interface Supply Voltage	V _{DDIO}	1.65	3.3	3.3	V
Current Consumption	I _{DD}	-	7	-	mA
Input High Voltage	V _{IH}	0.7 V _{DDIO}	-	V _{DDIO}	V
Input Low Voltage	V _{IL}	GND	-	0.3 V _{DDIO}	V
Output High Voltage	V _{OH}	0.8 V _{DDIO}	-	V _{DDIO}	V
Output Low Voltage	V _{OL}	GND	-	0.2 V _{DDIO}	V

11. ESD (Electro-Static Discharge)

The circuitry is industry standard CMOS logic and is susceptible to ESD damage. Please use industry standard antistatic precautions as you would for any other static sensitive devices such as expansion cards, motherboards, or integrated circuits. Ground your body, work surfaces, and equipment.

12. LED Backlight Characteristics

This display uses an LED backlight. LED backlights are easy to use, but they are also easily damaged by abuse. LEDs are “current” devices. The important aspect of driving an LED is the current flowing through it, not the voltage across it. Ideally, a current source would be used to drive the LEDs. In practice, a simple current limiting resistor in line from a voltage source will work well in most applications and is much less complex than a current source.

You need to know what the forward voltage of the LEDs is so you can calculate the current limiting resistor (R_{LIMIT}).

NOTE: The forward voltage will vary slightly from display module to display module.

13. Optical Characteristics

Item	Symbol	Condition	Min	Typical	Max	Unit	
Contrast Ratio (CR)	CR	$\Theta=0$ Normal Viewing Angle	600	800	-	-	
Response Time	T_R		-	16	21	ms	
	T_F		-	19	24		
Color Gamut	S(%)	-					
White Chromaticity	W_x	-	0.290	0.310	0.330	ms	
	W_y		0.316	0.336	0.356	ms	
Red Chromaticity	R_x		0.627	0.647	0.667	ms	
	R_y		0.297	0.317	0.337	ms	
Green Chromaticity	G_x		0.255	0.275	0.295	ms	
	G_y		0.562	0.582	0.602	ms	
Blue Chromaticity	B_x		0.120	0.140	0.160	ms	
	B_y		0.068	0.088	0.108	ms	
Viewing Angle	(H) Θ^L		CR>10	-	80	-	-
	(H) Θ^R			-	80	-	-
	(V) Θ^U	-		80	-	-	
	(V) Θ^D	-		80	-	-	
Viewing Direction	Free						

14. Backlight Characteristics

CFAF240320W-020T						
Item	Symbol	Minimum	Typical	Maximum	Unit	Notes
Forward Current	I_F		60 (4-LEDs)	80 (4-LEDs)	mA	(1)(2)
Forward Voltage	V_F	-	3.2	-	V	-
Luminous Intensity	L_v	250	-	-	cd/m ²	-
Uniformity	AV_G	80	-	-	%	-
LED Lifetime	-	50K	-	-	Hrs.	(1)(2)

CFAF240320W-020T-TS						
Item	Symbol	Minimum	Typical	Maximum	Unit	Notes
Forward Current	I_F		60 (4-LEDs)	80 (4-LEDs)	mA	(1)(2)
Forward Voltage	V_F	-	3.2	-	V	-
Luminous Intensity	L_v	200	-	-	cd/m ²	-
Uniformity	AV_G	80	-	-	%	-
LED Lifetime	-	50K	-	-	Hrs.	(1)(2)

Notes:

- (1) Supply current minimum value is only for reference since the LED brightness efficiency keeps enhancing. Current consumption becomes less and less to achieve the same luminance.
- (2) Lifetime is defined as the amount of time when the luminance has decayed to <50% of the initial value (50K hours is an estimate for reference only).

15. About the 4-Wire Resistive Touch Screen

The touch screen must be driven in one direction, then read in the other direction.

- Typically, the kind of micro-controller that supports the RGB / DPI interface (ARM9, etc.), will also have ADC pins that can be used directly to read the touch screen.
- TI (Texas Instruments) makes I2C / SPI and low-level touch screen controllers. Typical: www.ti.com/product/tsc2046e.

Basic Concept for Reading 4-Wire Resistive Touch Screens:

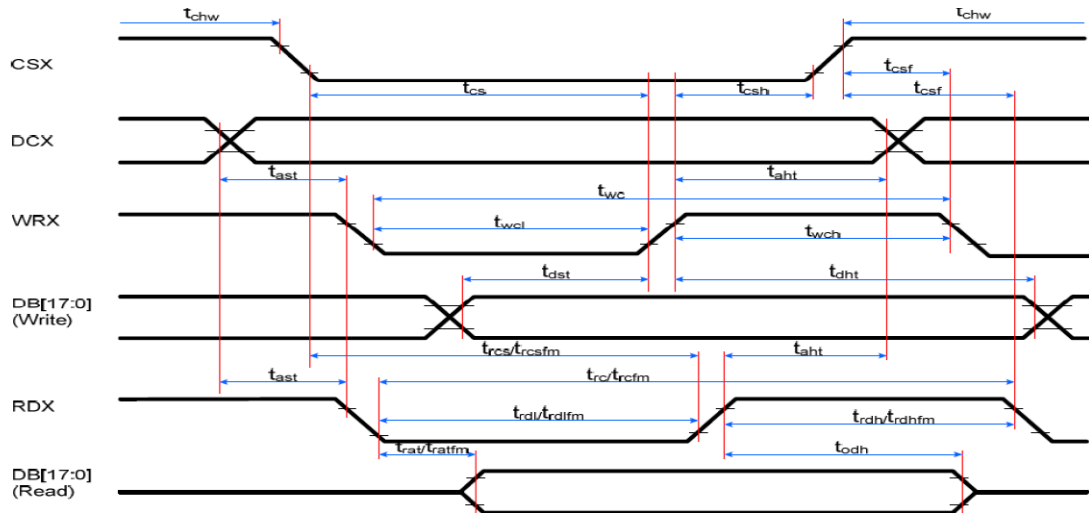
Create a voltage gradient across the X set of electrodes by setting both X pins to digital output, then driving one low and the other high. Set both Y pins to inputs, with one pin configured as an analog input. Use the Y analog pin to read the voltage. This reading will correspond to the X coordinate of the touch. To read the other channel, reverse the process with the Y pins configured as digital and one X pin as analog. Other factors may need to be addressed such as references, calibration, calibration drift, non-contact, taps, and double taps.

More Information on Touch Screens:

- CrystalFontz Seeeduno v4.2(Arduino 3.3v clone) demonstration code for the CFAF240320(V/W)-020T-TS: <https://www.crystalfontz.com/product/cfaf240320w020tts#datasheets>.
- Texas Instruments: 4-Wire and 8-Wire Resistive Touch Screen Controller using the MSP430tm: <http://www.ti.com/lit/an/slaa384a/slaa384a.pdf>.
- NXP: Interfacing 4-Wire and 5-Wire Resistive Touchscreens to the LPC247x http://www.nxp.com/documents/application_note/AN10675.pdf.

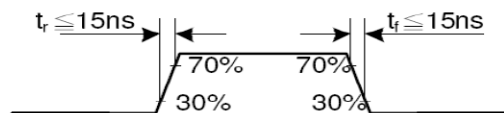
16. AC Characteristics

Parallel 8/16-Bit Interface Timing Characteristics (8080)

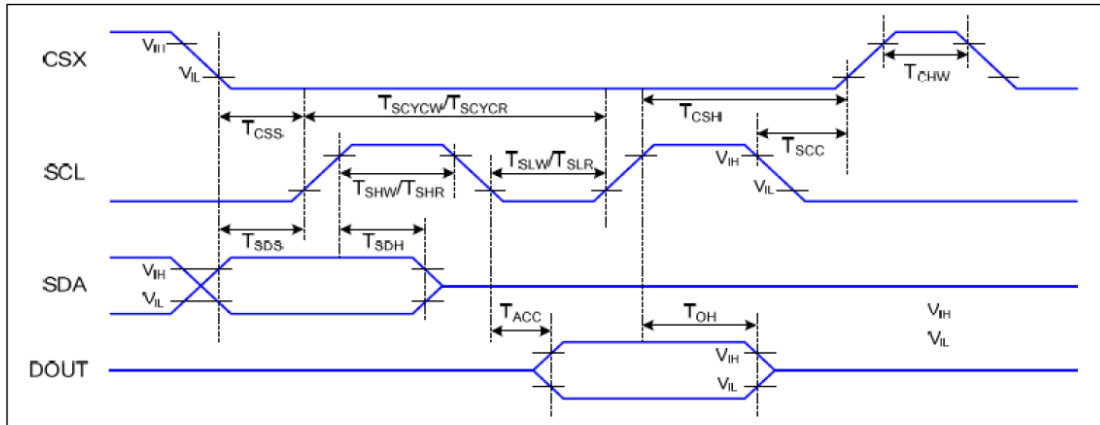


Signal	Symbol	Parameter	min	max	Unit	Description
DCX	tast	Address setup time	0	-	ns	
	taht	Address hold time (Write/Read)	10	-	ns	
CSX	tchwh	CSX "H" pulse width	0	-	ns	
	tcs	Chip Select setup time (Write)	15	-	ns	
	trcs	Chip Select setup time (Read ID)	45	-	ns	
	trcsfm	Chip Select setup time (Read FM)	355	-	ns	
	tcsf	Chip Select Wait time (Write/Read)	10	-	ns	
WRX	twc	Write cycle	66	-	ns	
	twrh	Write Control pulse H duration	15	-	ns	
	twrl	Write Control pulse L duration	15	-	ns	
RDX (FM)	trcfm	Read Cycle (FM)	450	-	ns	
	trdhfm	Read Control H duration (FM)	90	-	ns	
	trdlfm	Read Control L duration (FM)	355	-	ns	
RDX (ID)	trc	Read cycle (ID)	160	-	ns	
	trdh	Read Control pulse H duration	90	-	ns	
	trdl	Read Control pulse L duration	45	-	ns	
D[17:0], D[15:0], D[8:0], D[7:0]	tdst	Write data setup time	10	-	ns	For maximum CL=30pF For minimum CL=8pF
	tdht	Write data hold time	10	-	ns	
	trat	Read access time	-	40	ns	
	tratfm	Read access time	-	340	ns	
	trod	Read output disable time	20	80	ns	

Note: $T_a = -30$ to 70 °C, $IOVCC=1.65V$ to $2.8V$, $VCI=2.6V$ to $3.3V$, $GND=0V$



3-Line SPI Interface Timing Characteristics

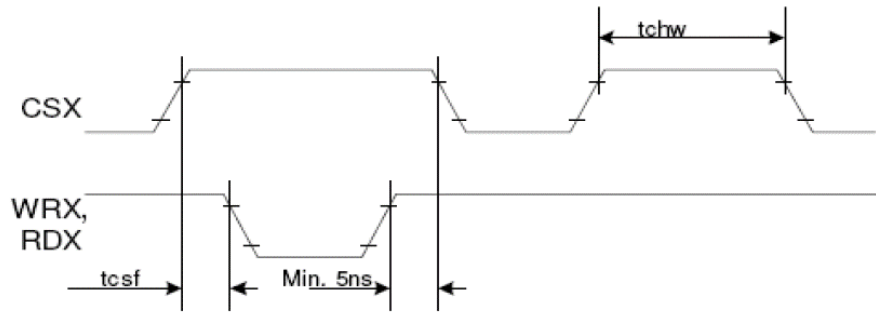


VDDI=1.65 to 3.3V, VDD=2.4 to 3.3V, AGND=DGND=0V, Ta=-30 to 70 °C

Signal	Symbol	Parameter	Min	Max	Unit	Description
CSX	T _{CSS}	Chip select setup time (write)	15		ns	
	T _{CSH}	Chip select hold time (write)	15		ns	
	T _{CSS}	Chip select setup time (read)	60		ns	
	T _{SCC}	Chip select hold time (read)	65		ns	
	T _{CHW}	Chip select "H" pulse width	40		ns	
SCL	T _{SCYCW}	Serial clock cycle (Write)	66		ns	
	T _{SHW}	SCL "H" pulse width (Write)	15		ns	
	T _{SLW}	SCL "L" pulse width (Write)	15		ns	
	T _{SCYCR}	Serial clock cycle (Read)	150		ns	
	T _{SHR}	SCL "H" pulse width (Read)	60		ns	
	T _{SLR}	SCL "L" pulse width (Read)	60		ns	
SDA (DIN)	T _{SDS}	Data setup time	10		ns	
	T _{SDH}	Data hold time	10		ns	
DOUT	T _{ACC}	Access time	10	50	ns	For maximum CL=30pF
	T _{OH}	Output disable time	15	50	ns	For minimum CL=8pF

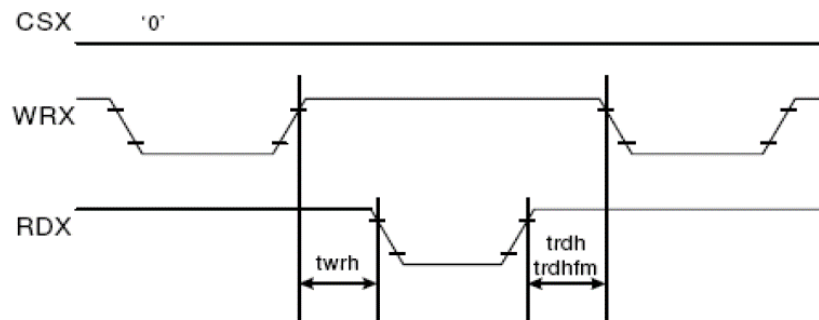


CSX timings :



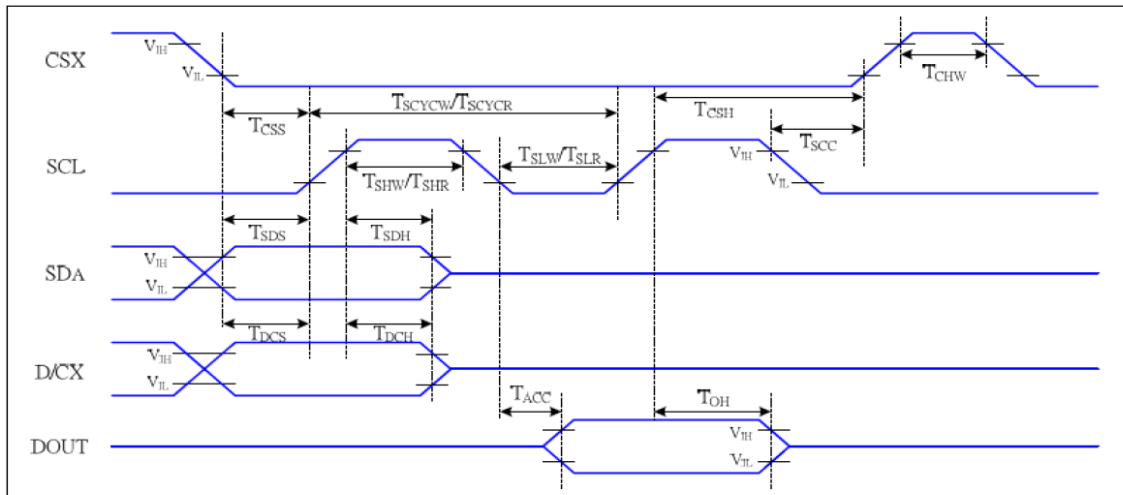
Note: Logic high and low levels are specified as 30% and 70% of IOVCC for Input signals.

Write to read or read to write timings:



Note: Logic high and low levels are specified as 30% and 70% of IOVCC for Input signals.

4-Line SPI Interface Timing Characteristics

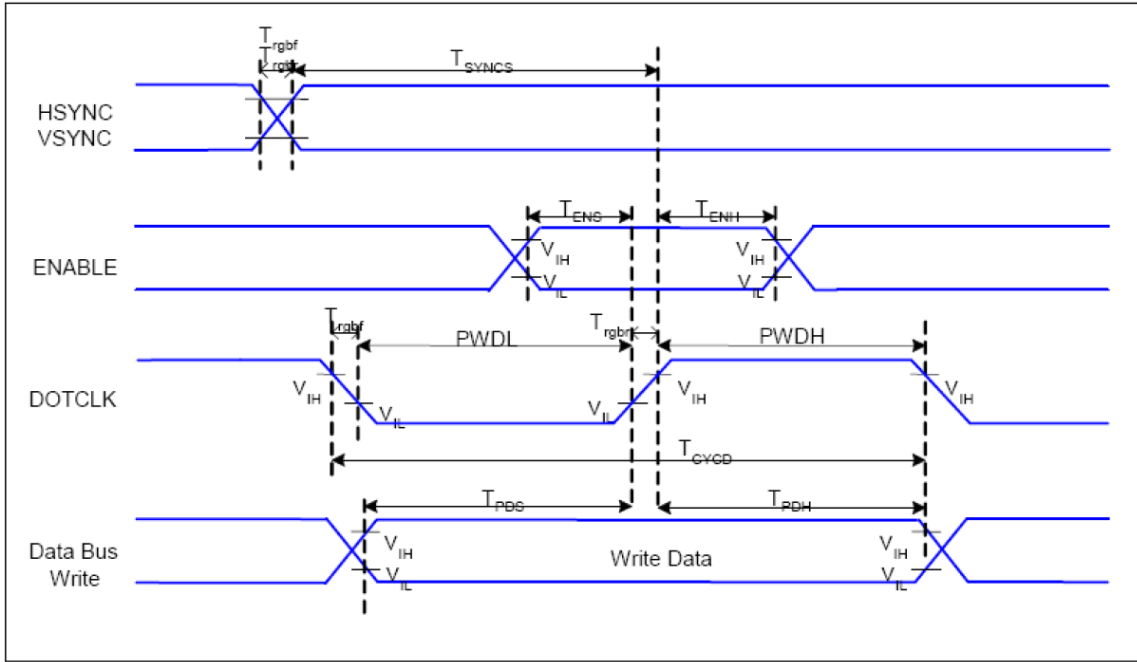


VDDI=1.65 to 3.3V, VDD=2.4 to 3.3V, AGND=DGND=0V, Ta=-30 to 70 °C

Signal	Symbol	Parameter	MIN	MAX	Unit	Description
CSX	T _{CSS}	Chip select setup time (write)	15		ns	
	T _{CSH}	Chip select hold time (write)	15		ns	
	T _{CSS}	Chip select setup time (read)	60		ns	
	T _{SCC}	Chip select hold time (read)	65		ns	
	T _{CHW}	Chip select "H" pulse width	40		ns	
SCL	T _{SCYCW}	Serial clock cycle (Write)	66		ns	-write command & data ram
	T _{SHW}	SCL "H" pulse width (Write)	15		ns	
	T _{SLW}	SCL "L" pulse width (Write)	15		ns	
	T _{SCYCR}	Serial clock cycle (Read)	150		ns	-read command & data ram
	T _{SHR}	SCL "H" pulse width (Read)	60		ns	
	T _{SLR}	SCL "L" pulse width (Read)	60		ns	
D/CX	T _{DCS}	D/CX setup time	10		ns	
	T _{DCH}	D/CX hold time	10		ns	
SDA (DIN)	T _{SDS}	Data setup time	10		ns	
	T _{SDH}	Data hold time	10		ns	
DOUT	T _{ACC}	Access time	10	50	ns	For maximum CL=30pF
	T _{OH}	Output disable time	15	50	ns	For minimum CL=8pF



Parallel RGB Interface Timing Characteristics



VDDI=1.65 to 3.3V, VDD=2.4 to 3.3V, AGND=DGND=0V, Ta=-30 ~ 70 °C

Signal	Symbol	Parameter	MIN	MAX	Unit	Description
HSYNC, VSYNC	T_{SYNCS}	VSYNC, HSYNC Setup Time	30	-	ns	
ENABLE	T_{ENS}	Enable Setup Time	25	-	ns	
	T_{ENH}	Enable Hold Time	25	-	ns	
DOTCLK	PWDH	DOTCLK High-level Pulse Width	60	-	ns	
	PWDL	DOTCLK Low-level Pulse Width	60	-	ns	
	T_{CYCD}	DOTCLK Cycle Time	120	-	ns	
	Trghr, Trghf	DOTCLK Rise/Fall time	-	20	ns	
DB	T_{PDS}	PD Data Setup Time	50	-	ns	
	T_{PDH}	PD Data Hold Time	50	-	ns	

17. LCD Module Precautions

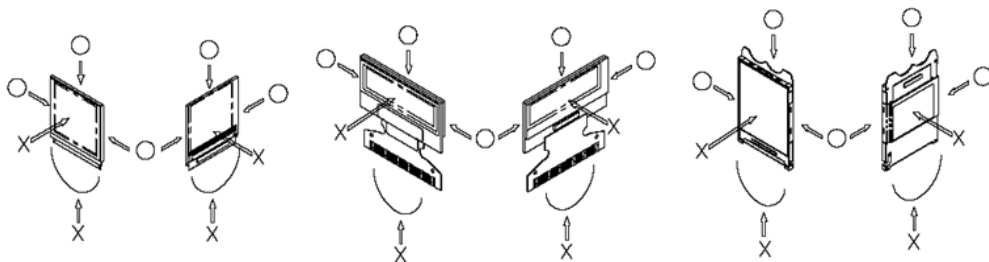
The precautions below should be followed when using LCD modules to help ensure personal safety, module performance, and compliance of environmental regulations.

17.1. Modules

- Avoid applying excessive shocks to module or making any alterations or modifications to it.
- Do not make extra holes on the printed circuit board, modify its shape or change the components of LCD display module.
- Do not disassemble the LCD display module.
- Do not operate the LCD display module above the absolute maximum rating.
- Do not drop, bend or twist the LCD display module.
- Soldering: only to the I/O terminals.
- Store in an anti-static electricity container and clean environment.
- It is common to use the "screen saver" to extend the lifetime of the LCD display module.
 - Do not use the fixed information for long periods of time in real application.
 - Do not use fixed information in LCD panel for long periods of time to extend "screen burn" effect time.
- Crystalfontz has the right to change the passive components, including R3, R6 & backlight adjust resistors. (Resistors, capacitors and other passive components will have different appearance and color caused by the different supplier.)
- Crystalfontz have the right to change the PCB Rev. (In order to satisfy the supplying stability, management optimization and the best product performance, etc., under the premise of not affecting the electrical characteristics and external dimensions, Crystalfontz has the right to modify the version.)

17.2. Handling Precautions

- Since the display panel is made of glass, do not apply mechanical impacts such as dropping from a high position.
- If the display panel is accidentally broken, and the internal organic substance leaks out, be careful not to inhale or touch the organic substance.
- If pressure is applied to the display surface or its neighborhood of the LCD display module, the cell structure may be damaged, so be careful not to apply pressure to these sections.
- The polarizer covering the surface of the LCD display module is soft and can be easily scratched. Please be careful when handling the LCD display module.
- Clean the surface of the polarizer covering the LCD display module if it becomes soiled using following adhesion tape.
 - Scotch Mending Tape No. 810 or an equivalent
 - Never breathe the soiled surface or wipe the surface using a cloth containing solvent such as ethyl alcohol, since the surface of the polarizer will become cloudy.
 - The following liquids/solvents may spoil the polarizer:
 - Water
 - Ketone
 - Aromatic Solvents
- Hold the LCD display module very carefully when placing the LCD display module into the system housing.
- Do not apply excessive stress or pressure to the LCD display module. And, do not over bend the film with electrode pattern layouts. These stresses will influence the display performance. Also, be sure to secure the sufficient rigidity for the outer cases.





- Do not apply stress to the LSI chips and the surrounding molded sections.
- Do not disassemble or modify the LCD display module.
- Do not apply input signals while the logic power is off.
- Pay sufficient attention to the working environments when handing the LCD display module to prevent occurrence of element breakage accidents by static electricity.
 - Be sure to make human body grounding when handling LCD display modules.
 - Be sure to ground tools to use for assembly such as soldering irons.
 - To suppress generation of static electricity, avoid carrying out assembly work under dry environments.
 - Protective film is being applied to the surface of the display panel of the LCD display module. Be careful since static electricity may be generated when exfoliating the protective film.
- Protection film is being applied to the surface of the display panel and removes the protection film before assembling it. At this time, if the LCD display module has been stored for a long period of time, residue adhesive material of the protection film may remain on the surface of the display panel after the film has been removed. In such a case, remove the residue material by the method discussed above.
- If electric current is applied when the LCD display module is being dewed or when it is placed under high humidity environments, the electrodes may become corroded. If this happens proceed with caution when handling the LCD display module.

17.3. Storage Precautions

- When storing the LCD display modules put them in static electricity preventive bags to avoid exposure to direct sunlight and fluorescent lamps. Also avoid high temperature and high humidity environments and low temperatures (less than 0°C) environments. (We recommend you store these modules in the packaged state when they were shipped from Crystalfontz). Be careful not to let water drops adhere to the packages or bags, and do not let dew gather on them.
- If electric current is applied when water drops are adhering to the surface of the LCD display module the LCD display module may have become dewed. If a dewed LCD display module is placed under high humidity environments it may cause the electrodes to become corroded. If this happens proceed with caution when handling the LCD display module.

17.4. Designing Precautions

- The absolute maximum ratings are the ratings that cannot be exceeded for LCD display module. If these values are exceeded, panel damage may happen.
- To prevent occurrence of malfunctioning by noise pay attention to satisfy the VIL and VIH specifications and, at the same time, to make the signal line cable as short as possible.
- We recommend that you install excess current preventive unit (fuses, etc.) to the power circuit (VDD). (Recommend value: 0.5A)
- Pay sufficient attention to avoid occurrence of mutual noise interference with the neighboring devices.
- As for EMI, take necessary measures on the equipment side.
- When fastening the LCD display module, fasten the external plastic housing section.
- If the power supply to the LCD display module is forcibly shut down, by such errors as taking out the main battery while the LCD display panel is in operation, we cannot guarantee the quality of this LCD display module.
 - Connection (contact) to any other potential than the above may lead to rupture of the IC.

17.5. Disposing Precautions

- Request the qualified companies to handle the industrial wastes when disposing of the LCD display modules. Or, when burning them, be sure to observe the environmental and hygienic laws and regulations.

17.6. Other Precautions

- When an LCD display module is operated for a long period of time with a fixed pattern, the fixed pattern may remain as an after image or a slight contrast deviation may occur.



- If the operation is interrupted and left unused for a while, normal state can be restored.
- This will not cause a problem in the reliability of the module.
- To protect the LCD display module from performance drops by static electricity rapture, etc., do not touch the following sections whenever possible while handling the LCD display modules.
 - Pins and electrodes
 - Pattern layouts such as the TCP & FPC
- With this LCD display module, the LCD driver is being exposed. Generally speaking, semiconductor elements change their characteristics when light is radiated according to the principle of the solar battery. Consequently, if this LCD driver is exposed to light, malfunctioning may occur.
 - Design the product and installation method so that the LCD driver may be shielded from light in actual usage.
 - Design the product and installation method so that the LCD driver may be shielded from light during the inspection processes.
- Although this LCD display module stores the operation state data by the commands and the indication data, when excessive external noise, etc. enters into the module, the internal status may be changed. Therefore, it is necessary to take appropriate measures to suppress noise generation or to protect from influences of noise on the system design.
- We recommend that you construct its software to make periodical refreshment of the operation statuses (re-setting of the commands and re-transference of the display data), to cope with catastrophic noise.
- Resistors, capacitors, and other passive components will have different appearance and color caused by the different supplier.
- Crystalfontz has the right to upgrade and modify the product function.
- The limitation of FPC bending:

