



GRAPHIC LCD MODULE DATASHEET



Datasheet Release Date 2018-02-23
for

CFAO4265A Series

- **CFAO4265A-TFK**
- **CFAO4265A-TTL**

Crystalfontz America, Inc.

12412 East Saltese Avenue
Spokane Valley, WA 99216-0357

Phone: 888-206-9720

Fax: 509-892-1203

Email: support@crystalfontz.com

URL: www.crystalfontz.com

CONTENTS

1. General Information	3
2. Module Description	4
3. Color Variants	4
4. Features	4
5. Mechanical Data	4
6. Mechanical Drawings	5
7. Interface Pin Function	7
7.1. ESD (Electro-Static Discharge)	7
7.2. Photo with Pins Labeled (Contact Side of FFC).....	8
8. System Block Diagram.....	9
9. Absolute Maximum Ratings	10
10. Electrical Characteristics.....	10
11. Optical Characteristics	10
11.1. Definition of Operating Voltage (V_{OP})	11
11.2. Definition of Response Time (T_R , T_F)	11
12. Backlight Information.....	12
12.1. Circuit Example Using LED Driver NCP5007.....	12
12.2. Location of A (LED+) and K (LED-).....	13
13. LCD Module Precautions	14
13.1. Modules	14
13.2. Handling Precautions	14
13.3. Storage Precautions	15
13.4. Designing Precautions	15
13.5. Disposing Precautions.....	15
13.6. Other Precautions.....	15

1. General Information

Datasheet Revision History

Datasheet Release: **2018-02-23**
Datasheet for the CFAO4265A Series graphic LCD display module.

Product Change Notifications

You can check for or subscribe to [Part Change Notices](#) for this display module on our website.

Variations

Slight variations between lots are normal (e.g., contrast, color, or intensity).

Volatility

This display module has volatile memory.

Disclaimer

Certain applications using CrystalFontz America, Inc. products may involve potential risks of death, personal injury, or severe property or environmental damage ("Critical Applications"). CRYSTALFONTZ AMERICA, INC. PRODUCTS ARE NOT DESIGNED, INTENDED, AUTHORIZED, OR WARRANTED TO BE SUITABLE FOR USE IN LIFE-SUPPORT APPLICATIONS, DEVICES OR SYSTEMS OR OTHER CRITICAL APPLICATIONS. Inclusion of CrystalFontz America, Inc. products in such applications is understood to be fully at the risk of the customer. In order to minimize risks associated with customer applications, adequate design and operating safeguards should be provided by the customer to minimize inherent or procedural hazard. Please contact us if you have any questions concerning potential risk applications.

CrystalFontz America, Inc. assumes no liability for applications assistance, customer product design, software performance, or infringements of patents or services described herein. Nor does CrystalFontz America, Inc. warrant or represent that any license, either express or implied, is granted under any patent right, copyright, or other intellectual property right of CrystalFontz America, Inc. covering or relating to any combination, machine, or process in which our products or services might be or are used.

All specifications in datasheets on our website are, to the best of our knowledge, accurate but not guaranteed. Corrections to specifications are made as any inaccuracies are discovered.

Company and product names mentioned in this publication are trademarks or registered trademarks of their respective owners.

Copyright © 2017 by CrystalFontz America, Inc., 12412 East Saltese Avenue, Spokane Valley, WA 99216 U.S.A.

2. Module Description

These graphic LCD display modules are designed to fit on the face of 1-inch wide devices such as blade servers, disk drive carriers, and expansion cards. The 0.88-inch (22.40 mm) width leaves room for the metalwork and mechanical clearance. This economical COG (Chip-On-Glass) FSTN transmissive display is suitable for typical office lighting and is easy to see in dimly lit areas.

This display uses three long-life white LEDs for its backlight. The forward voltage is 9.6v to 10.8v. For long life, we recommend driving the backlight at 12mA. These displays have a built-in Sitronix ST7565R controller.

Please see [Sitronix ST7565R LCD Controller Datasheet](#) for further reference.

3. Color Variants

- **CFAO4265A-TFK**: Dark on light-gray with a white background and a white LED backlight.
- **CFAO4265A-TTL**: White on dark with a black background and a white LED backlight.

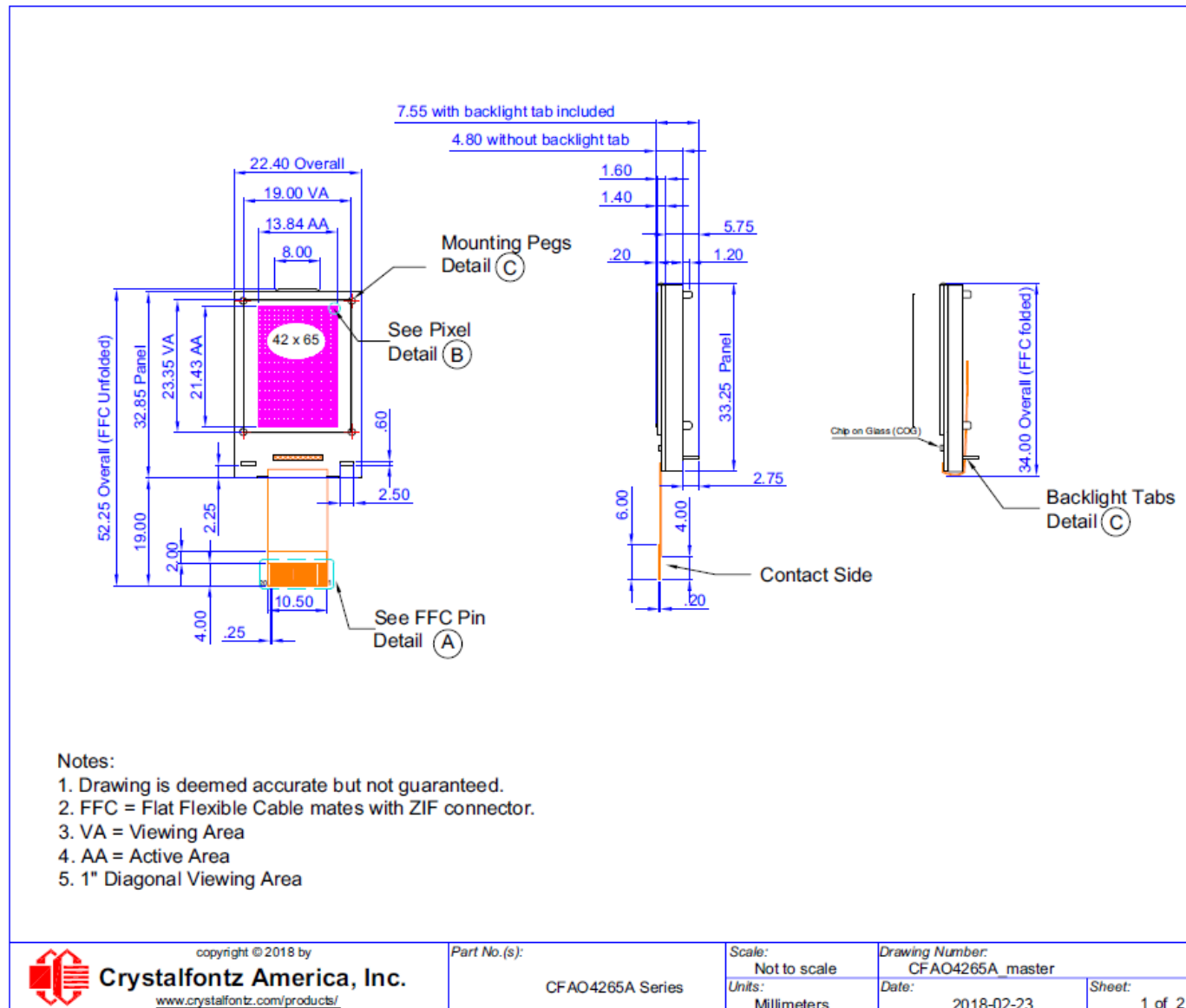
4. Features

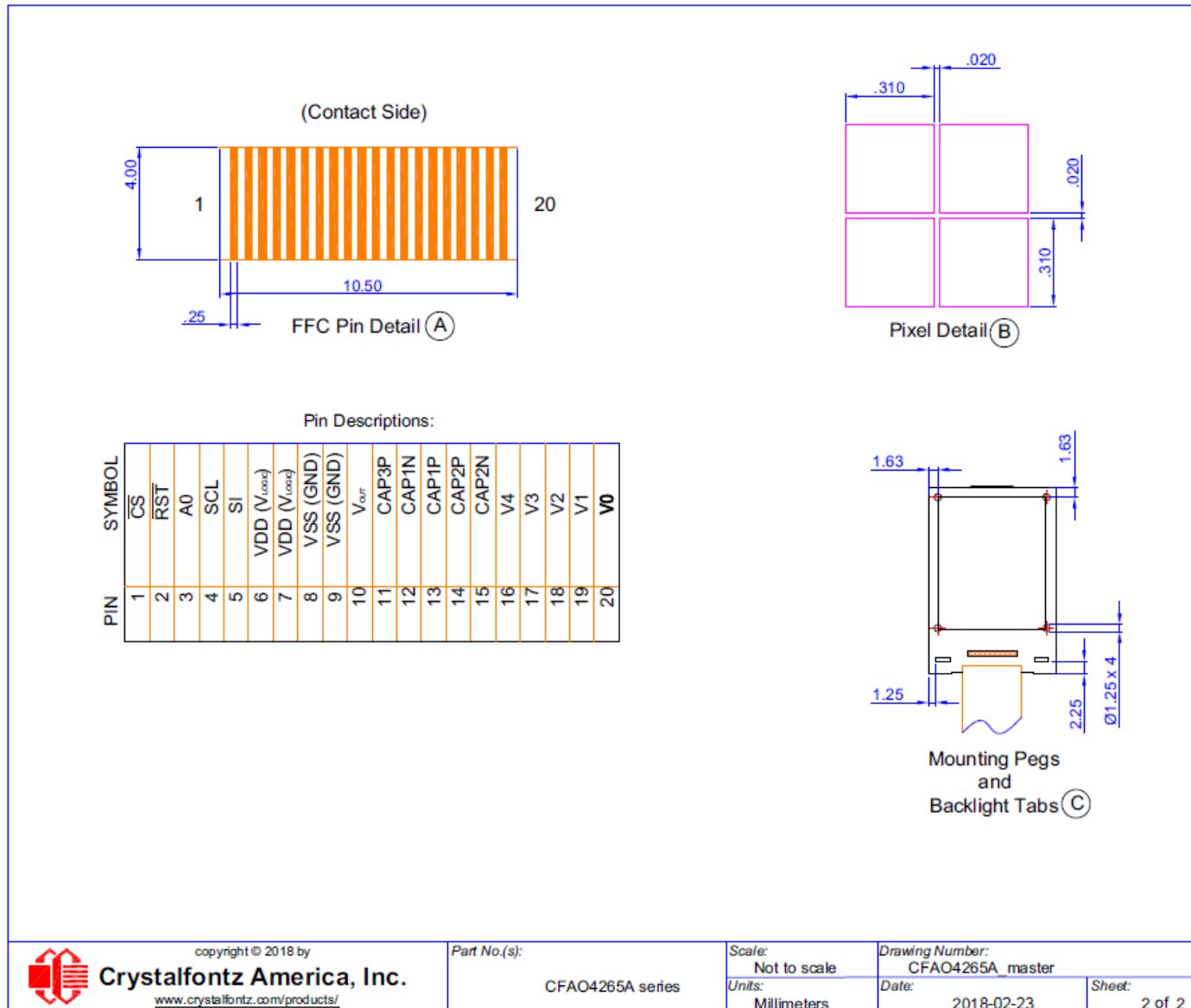
- 42*65 Dot Matrix
- Built-in Controller ST7565P (or equivalent)
- Diagonal Dimension: 1.0"
- Viewing Direction: 12 o'clock
- +3V Power Supply
- Operating Temperature: -20°C to +70°C
- Storage Temperature: -30°C to +80°C
- 1/65 Duty, 1/9 Bias
- Interface: SPI

5. Mechanical Data

Item	Specification (mm)	Specification (inch, reference)
Overall Width and Height	22.4 (W) x 32.85 (H) x 4.8 (D)	0.882 (W) x 1.293 (H) x 0.189 (D)
Viewing Area	19.0 (W) x 23.35 (H)	0.748 (W) x 0.919 (H)
Active Area	13.84 (W) x 21.43 (H)	0.545 (W) x 0.844 (H)
Dot Size	0.31 (W) x 0.31 (H)	0.012 (W) x 0.012 (H)
Dot Pitch	0.33 (W) x 0.33 (H)	0.013 (W) x 0.013 (H)
Weight (Typical)	6 grams	0.21 ounces

6. Mechanical Drawings





7. Interface Pin Function

Pin	Symbol	Level	Direction	Function
1	\overline{CS}	H/L	I	Low: Controller chip is selected. Communications with the host is possible. High: Controller chip is not selected. Host interface signals are ignored by the controller.
2	\overline{RST}	L	I	Reset Signal Input. Low: Display controller is reset. The \overline{RST} pin should be pulsed low shortly after power is applied. High: The \overline{RST} pin should be brought high for normal operation.
3	A0	H/L	I	R/W = Low: A0 = High: Command Write. A0 = Low: Data Write. R/W = High: A0 = High: Status Read. A0 = Low: Data Read.
4	SCL	-	I	Display Clock Input
5	SI	-	I	Serial Data Input
6-7	V _{DD} (V _{LOGIC})	+3.3v	-	Supply Voltage for Logic
8-9	V _{SS} (GND)	0v	-	Ground. Must be connected to an external ground.
10	V _{OUT}	-	O	DC/DC voltage converter. Connect a capacitor between this terminal and V _{SS} (GND) or V _{DD} (V _{LOGIC}).
11	CAP3P	-	-	DC/DC voltage converter. Connect a capacitor between this terminal and the CAP1N terminal.
12	CAP1N	-	-	DC/DC voltage converter. Connect a capacitor between this terminal and the CAP1P terminal.
13	CAP1P	-	-	DC/DC voltage converter. Connect a capacitor between this terminal and the CAP1N terminal.
14	CAP2P	-	-	DC/DC voltage converter. Connect a capacitor between this terminal and the CAP2N terminal.
15	CAP2N	-	-	DC/DC voltage converter. Connect a capacitor between this terminal and the CAP2P terminal.
16-20	V4-V0	-	-	Multilevel power supply to drive the LCD. The voltage settings are selected using the LCD bias set command.

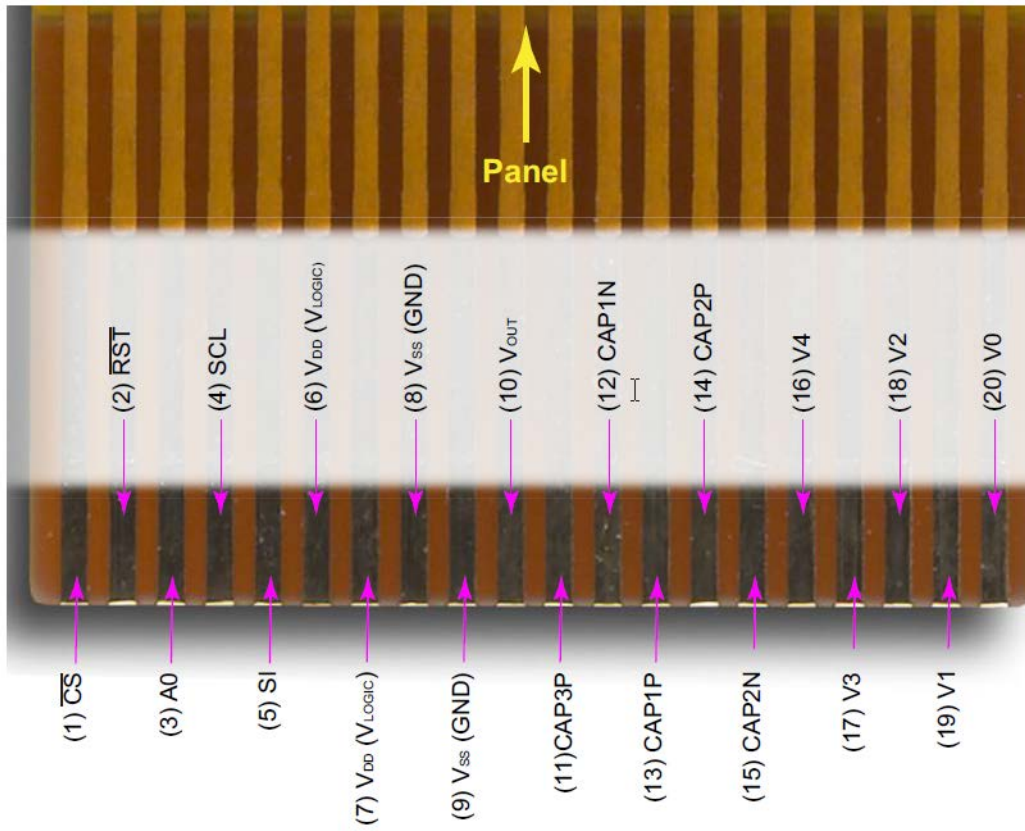
Note: Backlight pins A (LED+) and K (LED-) are separate tabs on the back of the module. See [Location of Backlight Tabs A and K](#).

7.1. ESD (Electro-Static Discharge)

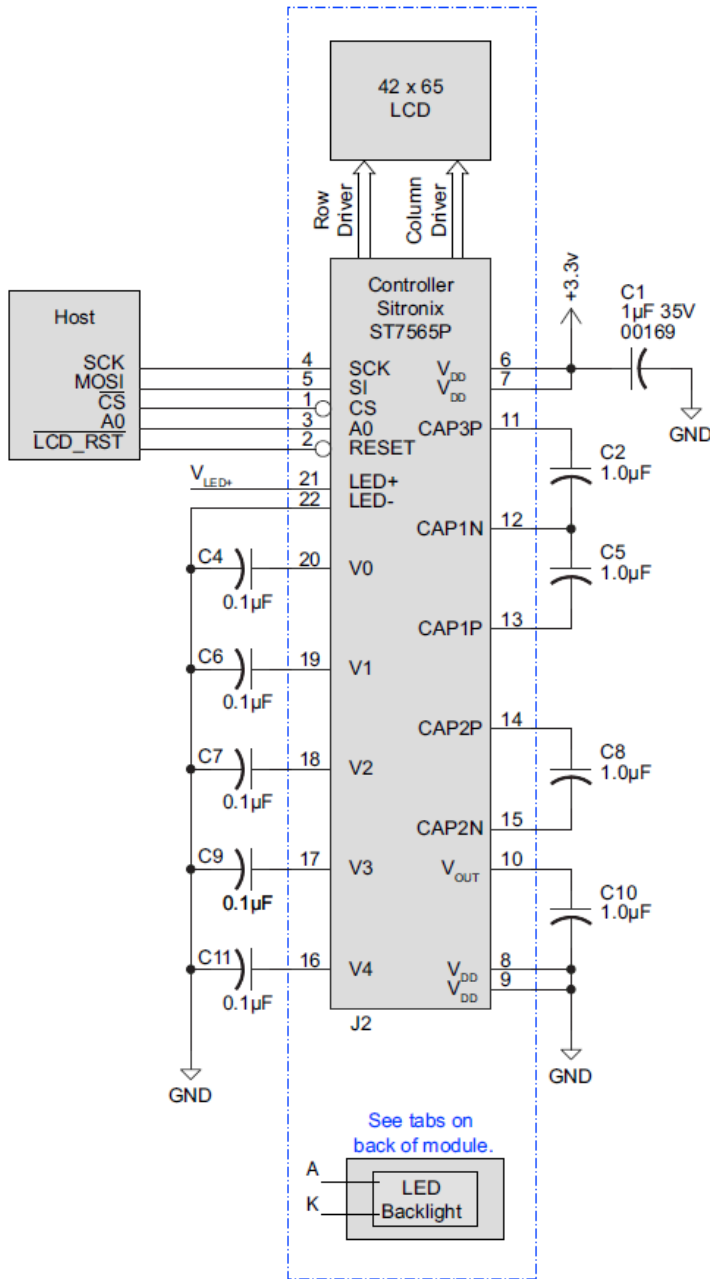
The circuitry is industry standard CMOS logic and is susceptible to ESD damage. Please use industry standard antistatic precautions as you would for any other static sensitive devices such as expansion cards, motherboards, or integrated circuits. Ground your body, work surfaces, and equipment.



7.2. Photo with Pins Labeled (Contact Side of FFC)



8. System Block Diagram



You must provide and connect capacitors C1 to C11 in order for the Sitronix ST7565 controller to generate the supply voltages for the LCD.

9. Absolute Maximum Ratings

Item	Symbol	Min	Max	Unit	Notes
Supply Voltage for Logic	V_{DD}	-0.3	+3.6	V	(1)(2)
Supply Voltage for LCD	$V_{DD}-V_0$	-0.3	+14.5	V	(1)(2)
Humidity (non-condensing)	RH	0	90	%	-
Input Voltage	V_I	0	V_{LOGIC}	V	-
Operating Temperature	T_{OP}	-20	+70	°C	-
Storage Temperature	T_{ST}	-30	+80	°C	-

Notes:

- (1) These are stress ratings only. Extended exposure to the absolute maximum ratings listed above may affect device reliability or cause permanent damage.
- (2) Functional operation should be restricted to the limits in the Electrical Characteristics table below.

10. Electrical Characteristics

Item	Symbol	Condition	Min	Typ	Max	Unit
Supply Voltage for Logic	$V_{DD}-GND$	$T_{OP}=-20^{\circ}C$ to $+70^{\circ}C$	-	+3.0	+3.3	V
High-level Input	V_{IH}	$V_{DD}=+3.0$	+2.0	-	V_{LOGIC} (V_{DD})	V
		$V_{DD}=+3.0$	$+0.8 * V_{DD}$ $V_{DD}=+3.0V$ $V_{IH}=+2.4V$			
Low-level Input	V_{IL}	-	0v (GND)	-	+2.0	V
High-level Output	V_{OH}	-	$0.8 * V_{DD}$ $V_{DD}=+3.0V$ $V_{IH}=+2.4V$	-	V_{LOGIC} (V_{DD})	V
Low-level Output	V_{OL}	-	0v (GND)	-	+2.0	V
Supply Current	V_{LOGIC}	without backlights	0.6	0.8	1.5	mA

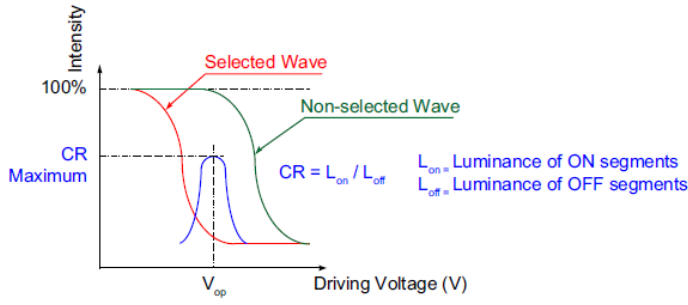
11. Optical Characteristics

Item	Symbol	Condition	Min	Typ	Max	Unit
Viewing Angle	(V) θ	$CR \geq 2$	-40	-	+40	Degree
	(H) ϕ					
Contrast Ratio	CR	-	2	4	-	-
Response Time	T rise	$T_a=25^{\circ}C$	-	200	200	ms
	T fall		-	300	300	ms

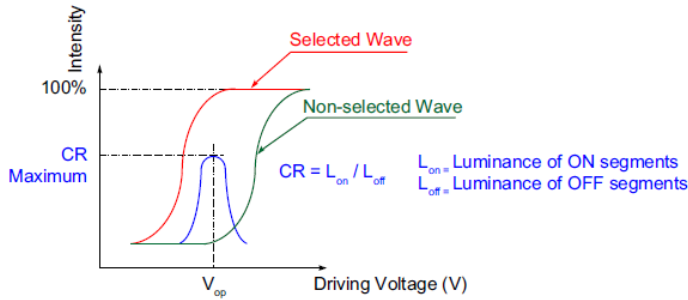


11.1. Definition of Operating Voltage (V_{OP})

CFAO4265A-TFK

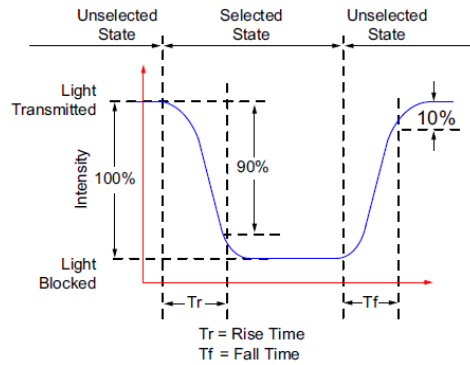


CFAO4265A-TTL

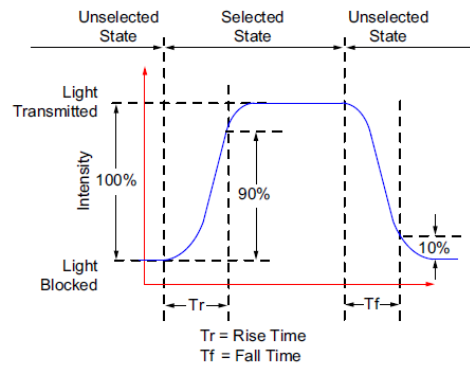


11.2. Definition of Response Time (T_R, T_F)

CFAO4265A-TFK



CFAO4265A-TTL



12. Backlight Information

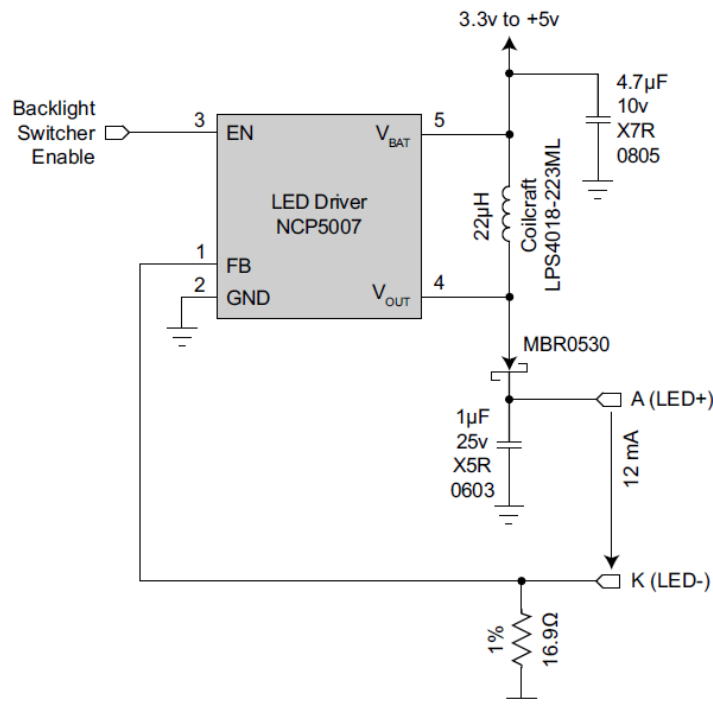
Parameter	Symbol	Condition	Min	Typ	Max	Unit	Notes
Forward Current	I_{LED}	$V_{LED}=3.0V$	-	12	15	mA	(1)
Forward Voltage	V_{LED}	-	-	+9.6	+10.8	V	-
Reverse Voltage	V_R	-	-	-	+15	V	-
White Chromaticity	x	CIE (1931)	0.27	0.31	0.35	-	-
	y		0.25	0.30	0.35		
Luminance Intensity	I_v	$I_{LED}=15mA$	150	170	-	cd/m ²	-
CFAO4265A-TFK CFAO4265A-TTL			200	315			
Uniformity	C	-	70	-	-	%	-
LED Lifetime	-	$I_{LED}=96mA$ 25°C, 50-60% RH	-	50K	100K	Hr.	(2)
Color	White						

Notes:

- (1) Forward current minimum value is only for reference since the LED brightness efficiency keeps enhancing. Current consumption becomes less and less to achieve the same luminance.
- (2) Lifetime is defined as the amount of time when the luminance has decayed to <50% of the initial value (50K - 100K hours is an estimate for reference only).

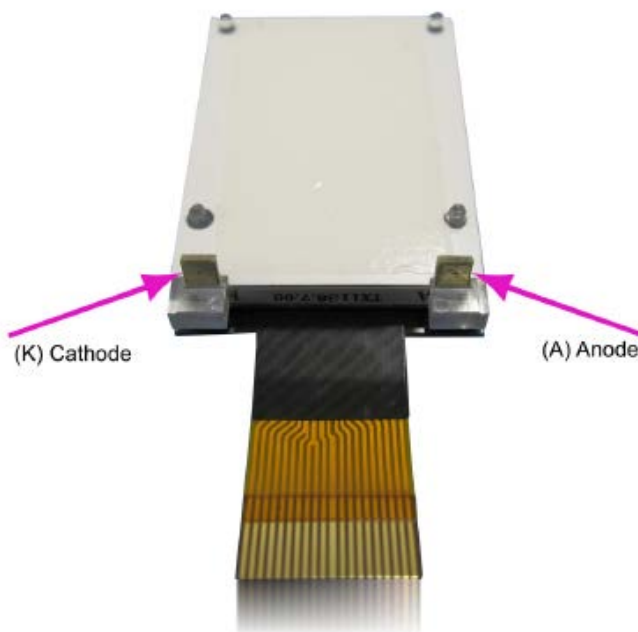
12.1. Circuit Example Using LED Driver NCP5007

This display uses three long-life white LEDs for its backlight. The forward voltage is 9.6v to 10.8v. For long life, we recommend driving the backlight at 12mA. The best way to drive the backlight is to use constant current supply. Typically, a switching supply designed to control current works well. We have used the NCP5007 LED driver on many designs with good results.



12.2. Location of A (LED+) and K (LED-)

Make connection to your PCB using the connections A (LED+) and K (LED-) on the back of the module.



13. LCD Module Precautions

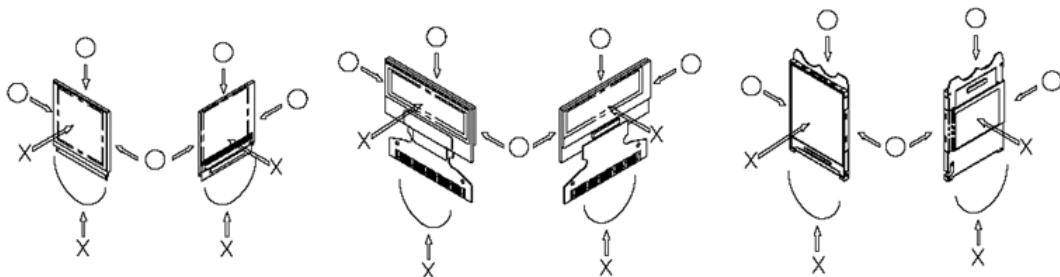
The precautions below should be followed when using LCD modules to help ensure personal safety, module performance, and compliance of environmental regulations.

13.1. Modules

- Avoid applying excessive shocks to module or making any alterations or modifications to it.
- Do not make extra holes on the printed circuit board, modify its shape or change the components of LCD display module.
- Do not disassemble the LCD display module.
- Do not operate the LCD display module above the absolute maximum rating.
- Do not drop, bend or twist the LCD display module.
- Soldering: only to the I/O terminals.
- Store in an anti-static electricity container and clean environment.
- It is common to use the "screen saver" to extend the lifetime of the LCD display module.
 - Do not use the fixed information for long periods of time in real application.
 - Do not use fixed information in LCD panel for long periods of time to extend "screen burn" effect time.
- Crystalfontz has the right to change the passive components, including R3, R6 & backlight adjust resistors. (Resistors, capacitors and other passive components will have different appearance and color caused by the different supplier.)
- Crystalfontz have the right to change the PCB Rev. (In order to satisfy the supplying stability, management optimization and the best product performance, etc., under the premise of not affecting the electrical characteristics and external dimensions, Crystalfontz has the right to modify the version.)

13.2. Handling Precautions

- Since the display panel is made of glass, do not apply mechanical impacts such as dropping from a high position.
- If the display panel is accidentally broken, and the internal organic substance leaks out, be careful not to inhale or touch the organic substance.
- If pressure is applied to the display surface or its neighborhood of the LCD display module, the cell structure may be damaged, so be careful not to apply pressure to these sections.
- The polarizer covering the surface of the LCD display module is soft and can be easily scratched. Please be careful when handling the LCD display module.
- Clean the surface of the polarizer covering the LCD display module if it becomes soiled using following adhesion tape.
 - Scotch Mending Tape No. 810 or an equivalent
 - Never breathe the soiled surface or wipe the surface using a cloth containing solvent such as ethyl alcohol, since the surface of the polarizer will become cloudy.
 - The following liquids/solvents may spoil the polarizer:
 - Water
 - Ketone
 - Aromatic Solvents
- Hold the LCD display module very carefully when placing the LCD display module into the system housing.
- Do not apply excessive stress or pressure to the LCD display module. And, do not over bend the film with electrode pattern layouts. These stresses will influence the display performance. Also, be sure to secure the sufficient rigidity for the outer cases.





- Do not apply stress to the LSI chips and the surrounding molded sections.
- Do not disassemble or modify the LCD display module.
- Do not apply input signals while the logic power is off.
- Pay sufficient attention to the working environments when handing the LCD display module to prevent occurrence of element breakage accidents by static electricity.
 - Be sure to make human body grounding when handling LCD display modules.
 - Be sure to ground tools to use for assembly such as soldering irons.
 - To suppress generation of static electricity, avoid carrying out assembly work under dry environments.
 - Protective film is being applied to the surface of the display panel of the LCD display module. Be careful since static electricity may be generated when exfoliating the protective film.
- Protection film is being applied to the surface of the display panel and removes the protection film before assembling it. At this time, if the LCD display module has been stored for a long period of time, residue adhesive material of the protection film may remain on the surface of the display panel after the film has been removed. In such a case, remove the residue material by the method discussed above.
- If electric current is applied when the LCD display module is being dewed or when it is placed under high humidity environments, the electrodes may become corroded. If this happens proceed with caution when handling the LCD display module.

13.3. Storage Precautions

- When storing the LCD display modules put them in static electricity preventive bags to avoid exposure to direct sunlight and fluorescent lamps. Also avoid high temperature and high humidity environments and low temperatures (less than 0°C) environments. (We recommend you store these modules in the packaged state when they were shipped from Crystalfontz). Be careful not to let water drops adhere to the packages or bags, and do not let dew gather on them.
- If electric current is applied when water drops are adhering to the surface of the LCD display module the LCD display module may have become dewed. If a dewed LCD display module is placed under high humidity environments it may cause the electrodes to become corroded. If this happens proceed with caution when handling the LCD display module.

13.4. Designing Precautions

- The absolute maximum ratings are the ratings that cannot be exceeded for LCD display module. If these values are exceeded, panel damage may happen.
- To prevent occurrence of malfunctioning by noise pay attention to satisfy the V_{IL} and V_{IH} specifications and, at the same time, to make the signal line cable as short as possible.
- We recommend that you install excess current preventive unit (fuses, etc.) to the power circuit (V_{DD}). (Recommend value: 0.5A)
- Pay sufficient attention to avoid occurrence of mutual noise interference with the neighboring devices.
- As for EMI, take necessary measures on the equipment side.
- When fastening the LCD display module, fasten the external plastic housing section.
- If the power supply to the LCD display module is forcibly shut down, by such errors as taking out the main battery while the LCD display panel is in operation, we cannot guarantee the quality of this LCD display module.
 - Connection (contact) to any other potential than the above may lead to rupture of the IC.

13.5. Disposing Precautions

- Request the qualified companies to handle the industrial wastes when disposing of the LCD display modules. Or, when burning them, be sure to observe the environmental and hygienic laws and regulations.

13.6. Other Precautions

- When an LCD display module is operated for a long period of time with a fixed pattern, the fixed pattern may remain as an after image or a slight contrast deviation may occur.
 - If the operation is interrupted and left unused for a while, normal state can be restored.



- This will not cause a problem in the reliability of the module.
- To protect the LCD display module from performance drops by static electricity rapture, etc., do not touch the following sections whenever possible while handling the LCD display modules.
 - Pins and electrodes
 - Pattern layouts such as the TCP & FPC
- With this LCD display module, the LCD driver is being exposed. Generally speaking, semiconductor elements change their characteristics when light is radiated according to the principle of the solar battery. Consequently, if this LCD driver is exposed to light, malfunctioning may occur.
 - Design the product and installation method so that the LCD driver may be shielded from light in actual usage.
 - Design the product and installation method so that the LCD driver may be shielded from light during the inspection processes.
- Although this LCD display module stores the operation state data by the commands and the indication data, when excessive external noise, etc. enters into the module, the internal status may be changed. Therefore, it is necessary to take appropriate measures to suppress noise generation or to protect from influences of noise on the system design.
- We recommend that you construct its software to make periodical refreshment of the operation statuses (re-setting of the commands and re-transference of the display data), to cope with catastrophic noise.
- Resistors, capacitors, and other passive components will have different appearance and color caused by the different supplier.
- Crystalfontz has the right to upgrade and modify the product function.
- The limitation of FPC bending:

