



Crystalfontz America, Incorporated

INTELLIGENT LCD MODULE SPECIFICATIONS



Data Sheet Release 2012/02/21

for

[CFA633-YYH-KU](#)

Hardware Version: v2.0

Firmware Version: u2v1

Crystalfontz America, Incorporated

12412 East Saltese Avenue
Spokane Valley, WA 99216-0357

Phone: 888-206-9720

Fax: 509-892-1203

Email: techinfo@crystalfontz.com

URL: www.crystalfontz.com



DATA SHEET REVISION HISTORY

For information about firmware and hardware revisions, see the Part Change Notifications (PCNs) under “News” in our website’s navigation bar. To see the most recent PCN for the CFA633 family at the time of this Data Sheet release, see [PCN #10402](#).

Data Sheet version: **2012/02/21**

- Added section on [Accessories \(Pg. 12\)](#). This section includes a table describing some useful Crystalfontz cables in [Buy Cables Separately \(Pg. 13\)](#).
- Illustration for [Keypad Detail Drawing \(Pg. 18\)](#) was improved to include more dimensions.
- Added section on [DC Characteristics \(Pg. 24\)](#).
- Added section on [LED BACKLIGHT INFORMATION \(Pg. 24\)](#). Please read this important information.
- In command [1 \(0x01\): Get Hardware & Firmware Version \(Pg. 36\)](#), changed revision numbers from

```
data [] = "CFA633:hX.X,yYvY"
```

XvX is the hardware revision, "2.0" for example
YvY is the firmware version, "u2.0" for example
to
data [] = "CFA633:h#.#,y#v#"

X.X is the hardware revision, "h2.0" for example
Y.Y is the firmware version, "u2v1" for example
- In command [4 \(0x04\): Store Current State As Boot State \(Pg. 37\)](#), added the following note: *"If the current state and the boot state do not match after saving, the module will return an error instead of an ACK. In this unlikely error case, the boot state will be undefined."*
- Command [10 \(0x0A\): Read 8 Bytes of LCD Memory \(Pg. 41\)](#), corrected "data [0] is the address code native to the LCD controller"
from

```
0x80 (\128) to 0x93 (\147) for DDRAM, line 1  
0xC0 (\192) to 0xD3 (\211) for DDRAM, line 2  
to  
0x80 (\128) to 0x8F (\143) for DDRAM, line 1  
0xC0 (\192) to 0xCF (\207) for DDRAM, line 2
```
- In command [28 \(0x1C\): Set ATX Power Switch Functionality \(Pg. 52\)](#), changed description to reflect enhancement in firmware. From [PCN #10402](#), *"Added auto polarity switch. Improved pulse length functionality, and added feature to hold until system off during power down."* Also corrected "data [1]: (optional) length of power on & off pulses in 1/32 second"
from

```
255 = 8 sec
```

to

```
254 = pulse length  
255 = pin held until power drops (length of time pin is held in active state)
```
- In [Module Reliability \(Pg. 61\)](#), please read important note added to the top of this section. Also, we increased backlight specification from "70%" to "90%".
- In [Algorithm 2B: "C" Improved Bit Shift Implementation \(Pg. 72\)](#), added closing } to final line.
- Additional minor text changes were made to make text easier to understand.



Data Sheet Revision History (Continued)	
2011/06/01	<p>Data Sheet version: v3.2 Changes since last revision:</p> <ul style="list-style-type: none">● Wherever listed, changed part numbers to reflect improvement from “standard” to “wide temperature”.<ul style="list-style-type: none">- Operating temperature range from a “minimum 0°C to maximum +50°C” to “minimum -20°C to +70°C maximum”.- Storage temperature range from a “minimum-10°C to maximum +60°C” to “minimum -30°C to +80°C maximum”.● In Physical Characteristics, decreased weight from 48 grams (typical) to 42 grams (typical). USB interface is integrated and no longer needs a mounted USB interface board.● Revised illustrations in Module Outline Drawings to show layout changes on the back of the PCB.● Revised Jumper Locations and Functions to reflect new PCB layout.● In Supply Voltages and Current typical current consumption, changed specifications for +5v for logic (LCD + microcontroller) and +12v for backlight (at 100%). For changes, see Hardware revision table above.● Illustrations throughout CONNECTION INFORMATION section have been revised to reflect changes in PCB layout.● In addition to the list above, wherever needed, made minor modifications in text and illustrations to improve clarity.



Data Sheet Revision History (Continued)	
2010/09/28	<p>Data Sheet version: v2.0 Changes since last revision (k1.9b):</p> <ul style="list-style-type: none">● The previous version had all three USB variants (CFA633-RDI-KU, CFA633-TMI-KU, and CFA633-YYB-KU) in one datasheet. For this version, a separate datasheet was made for each variant.● Wherever listed, deleted dash ("-") from module part numbers to match how they now appear on our website without the dash ("-").● Wherever listed, added dash ("-") to cable part numbers to match how they now appear on our website.● Added boxed note "Fine Print" at the bottom of this Revision History. Please read these disclaimers.● Wherever listed or shown, changed keypad dimensions from "10.5 mm" to "12 mm" height and module overall depth with keypad from "24.10 mm" to nominal "25.6 mm" nominal and "25.9 mm" maximum. We started this gradual transition June 2010. See PCN 10282.● In Main Features,<ul style="list-style-type: none">- Deleted "<i>Built-in reprogrammable microcontroller (factory operation)</i>" and "<i>Expandable firmware and configurable hardware can be customized to add specific features for your system needs (tooling fee and minimum order may apply)</i>".- Added "<i>RoHS compliant</i>". All modules shipped since July 2006 are RoHS compliant.- Added "<i>Factories have ISO certification</i>". Factories have had certification for several years.● In ORDERING INFORMATION, added a list of all variants in the CFA633 series.● In Physical Characteristics table,<ul style="list-style-type: none">- Corrected Active Area height from "11.2" to "11.5". Also corrected this dimension on website page under Tech Specs tab. Dimension was correct in all drawings, including Module Outline Drawings. Dimension has not changed.- Added <i>Character Pitch</i> dimension.- Changed weight from "45 grams" to "48 grams". This weight includes the USB interface board (PCB).● In Jumper Locations and Functions, updated information on closing and opening jumpers.● Reworded "Temperature Range" section to Temperature and Humidity Range and added humidity specification "RH from 10% to 90% noncondensing".● Expanded and improved information on power and control connections. See CONNECTION INFORMATION, including:<ul style="list-style-type: none">- Added source for connector loaded at "PWR" in Standard (Non-ATX) Power Connection.- Revised ATX Power Supply Power and Control Connections.- Added USB Host and Power Connections with URLs for driver download and installation instructions.Connections have not changed.● In command 4 (0x04): Store Current State As Boot State, deleted reference to Command 32 which is reserved for CFA631 key legends.● In command 5 (0x05): Reboot CFA633, Reset Host, or Power Off Host, added important notes about timing of command packets.



Data Sheet Revision History (Continued)	
2010/09/28	<ul style="list-style-type: none"> ● In command 8 (0x08): Set LCD Contents, Line 2, corrected screen display text from "data[] = TOP line's display content (must supply 16 bytes)" to "data[] = BOTTOM line's display content (must supply 16 bytes)". ● In command 11 (0x0B): Set LCD Cursor Position, corrected from data[0] = column (0-19 valid) data[1] = row (0-3 valid) to data[0] = column (0-15 valid) data[1] = row (0-1 valid) This command was described correctly in Data Sheet versions published 2005-05-19 and earlier. It was described incorrectly in Data Sheet versions published 2005-09-06 and later. ● In command 12 (0x0C): Set LCD Cursor Style, added note to "3 = blinking block plus underscore". "Note: This behavior is not the same as the CFA533 series which is: blinking underscore." ● In command 14 (0x0E): Set LCD & Keypad Backlight, corrected return packet from "type: 0x40 0x0D = 0x4D = 77₁₀" to "type: 0x40 0x0E = 0x4E = 78₁₀". ● In command 22 (0x16): Send Command Directly to the LCD Controller, corrected controller part number from "The LCD controller on the CFA633 is <i>Samsung S6A0073</i> compatible" to "The controller on the CFA633 is <i>HD44780</i> compatible". Controller has not changed. ● In command 26 (0x1A): Set Fan Tachometer Glitch Filter, corrected return packet "type" from "25" to "26". ● In command 27 (0x1B): Query Fan Power & Fail-Safe Mask, corrected return packet "type" from "25" to "27". ● In command 33 (0x21): Set Baud Rate, - Corrected "type" from "27" to "33". - Corrected from "data_length = 1" to "data_length = 0". ● In command 34 (0x22): Set or Set and Configure GPIO Pins, corrected specification of GPIO pull-up/pull-down mode resistance values from "approximately 5Ω" to "approximately 5kΩ". ● In CHARACTER GENERATOR ROM (CGROM), corrected explanation of how to find a code for a given character. ● Added Module Longevity (EOL / Replacement Policy). ● Revised CARE AND HANDLING PRECAUTIONS section. ● Corrected label on Figure 1 Test Circuit Schematic in APPENDIX A: CONNECTING A DS2450 1-WIRE QUAD A/D CONVERTER.



Data Sheet Revision History (Continued)	
2010/09/28	<ul style="list-style-type: none"> ● In APPENDIX C: SAMPLE CODE (INCLUDES ALGORITHMS TO CALCULATE THE CRC), <ul style="list-style-type: none"> - Added section with hypertext links to our free downloadable code. - In sample code for Algorithm 1: "C" Table Implementation and Algorithm 2: "C" Bit Shift Implementation, added typedefs for "ubyte" and "word". - Added Algorithm 2B: "C" Improved Bit Shift Implementation. This is a simplified algorithm that implements the CRC. - In Algorithm 6: "Perl" Table Implementation, corrected code from "my \$packet = \$type . \$length . \$data ;" to "my \$packet = chr(hex \$type) .chr(hex \$length) .chr(hex \$data);". - Added Algorithm 7: For PIC18F8722 or PIC18F2685). ● In APPENDIX D: QUALITY ASSURANCE STANDARDS, added information on Color Definitions. ● Improved drawing for Definition of Active Area And Viewing Area. ● Added APPENDIX E: VISUAL INSPECTION OF SOLDER BRIDGES. ● In addition to list above, wherever needed, made minor modifications in text and illustrations to improve clarity.
2005/08/01	<p>Start Public Version Tracking. Data Sheet version: vk1.9b Changes since last released version (vk1.9a):</p> <ul style="list-style-type: none"> ● Added note on length of command 30 reply (see 30: Read Reporting & Status.

The Fine Print

Certain applications using Crystalfontz America, Inc. products may involve potential risks of death, personal injury, or severe property or environmental damage ("Critical Applications"). CRYSTALFONTZ AMERICA, INC. PRODUCTS ARE NOT DESIGNED, INTENDED, AUTHORIZED, OR WARRANTED TO BE SUITABLE FOR USE IN LIFE-SUPPORT APPLICATIONS, DEVICES OR SYSTEMS OR OTHER CRITICAL APPLICATIONS. Inclusion of Crystalfontz America, Inc. products in such applications is understood to be fully at the risk of the customer. In order to minimize risks associated with customer applications, adequate design and operating safeguards should be provided by the customer to minimize inherent or procedural hazard. Please contact us if you have any questions concerning potential risk applications.

Crystalfontz America, Inc. assumes no liability for applications assistance, customer product design, software performance, or infringements of patents or services described herein. Nor does Crystalfontz America, Inc. warrant or represent that any license, either express or implied, is granted under any patent right, copyright, or other intellectual property right of Crystalfontz America, Inc. covering or relating to any combination, machine, or process in which our products or services might be or are used.

The information in this publication is deemed accurate but is not guaranteed.

Company and product names mentioned in this publication are trademarks or registered trademarks of their respective owners.

Copyright © 2012 by Crystalfontz America, Inc., 12412 East Saltese Avenue, Spokane Valley, WA 99216-0357 U.S.A.



CONTENTS

INTRODUCTION	10
Comparison to CFA533	10
Main Features	10
Module Classification Information	11
Ordering Information	11
Accessories	12
Customize Your Module (Connectors and Cable Choices)	12
Kit Configurations (Brackets with Overlays and Cable Choices)	12
Buy Cables Separately	13
MECHANICAL CHARACTERISTICS	14
Physical Characteristics	14
Module Outline Drawings	15
Jumper Locations and Functions (All Interfaces)	17
Keypad Detail Drawing	18
Panel Mounting Application Cutout Drawing	19
OPTICAL CHARACTERISTICS	20
ELECTRICAL SPECIFICATIONS	21
System Block Diagram	21
Supply Voltages and Current	22
Absolute Maximum Ratings	23
DC Characteristics	24
ESD (Electro-Static Discharge) Specifications	24
LED BACKLIGHT INFORMATION	24
CONNECTION INFORMATION	25
Standard Power Connection	25
ATX Power Supply and Control Connections	26
USB Host and Power Connections	29
Fan Connections	29
Connect Optional Crystalfontz WR-DOW-Y17 Temperature Sensors	32
HOST COMMUNICATIONS	32
Packet Structure	33
About Handshaking	34
Report Codes	34
0x80: Key Activity	34
0x81: Fan Speed Report	35
0x82: Temperature Sensor Report	35
Command Codes	36
0 (0x00): Ping Command	36
1 (0x01): Get Hardware & Firmware Version	36
2 (0x02): Write User Flash Area	37
3 (0x03): Read User Flash Area	37
4 (0x04): Store Current State As Boot State	37
5 (0x05): Reboot CFA633, Reset Host, or Power Off Host	38
6 (0x06): Clear LCD Screen	40



CONTENTS, CONTINUED

7 (0x07): Set LCD Contents, Line 1	40
8 (0x08): Set LCD Contents, Line 2	41
9 (0x09): Set LCD Special Character Data	41
10 (0x0A): Read 8 Bytes of LCD Memory	41
11 (0x0B): Set LCD Cursor Position	42
12 (0x0C): Set LCD Cursor Style	42
13 (0x0D): Set LCD Contrast	42
14 (0x0E): Set LCD & Keypad Backlight	43
16 (0x10): Set Up Fan Reporting	43
17 (0x11): Set Fan Power	43
18 (0x12): Read DOW Device Information	45
19 (0x13): Set Up Temperature Reporting	46
20 (0x14): Arbitrary DOW Transaction	47
21 (0x15): Set Up Live Fan or Temperature Display	47
22 (0x16): Send Command Directly to the LCD Controller	48
23 (0x17): Configure Key Reporting	48
24 (0x18): Read Keypad, Polled Mode	49
25 (0x19): Set Fan Power Fail-Safe	49
26 (0x1A): Set Fan Tachometer Glitch Filter	50
27 (0x1B): Query Fan Power & Fail-Safe Mask	51
28 (0x1C): Set ATX Power Switch Functionality	52
29 (0x1D): Enable/Disable and Reset the Watchdog	55
30: Read Reporting & Status	55
31 (0x1F): Send Data to LCD	56
32: Reserved for CFA631 Key Legends	56
33 (0x21): Set Baud Rate	56
34 (0x22): Set or Set and Configure GPIO Pins	56
35 (0x23): Read GPIO Pin Levels and Configuration State	58
CHARACTER GENERATOR ROM (CGROM)	60
LCD MODULE RELIABILITY AND LONGEVITY	61
Module Reliability	61
Module Longevity (EOL / Replacement Policy)	61
CARE AND HANDLING PRECAUTIONS	62
APPENDIX A: CONNECTING A DS2450 1-WIRE QUAD A/D CONVERTER	64
APPENDIX B: CONNECTING A DS1963S SHA I BUTTON	66
APPENDIX C: DEMONSTRATION SOFTWARE AND SAMPLE CODE	69
Sample Code	69
Algorithms to Calculate the CRC	69
Algorithm 1: "C" Table Implementation	69
Algorithm 2: "C" Bit Shift Implementation	70
Algorithm 2B: "C" Improved Bit Shift Implementation	72
Algorithm 3: "PIC Assembly" Bit Shift Implementation	72
Algorithm 4: "Visual Basic" Table Implementation	74
Algorithm 5: "Java" Table Implementation	75



Algorithm 6: "Perl" Table Implementation ----- 77
 Algorithm 7: For PIC18F8722 or PIC18F2685 ----- 78
APPENDIX D: QUALITY ASSURANCE STANDARDS----- 81

LIST OF FIGURES

Figure 1. Bracket with Aluminum Overlay ----- 12
 Figure 2. CFA633 Module Outline Drawing (two pages below) ----- 15
 Figure 3. Jumper Locations and Functions (All Interfaces) ----- 17
 Figure 4. Keypad Detail Drawing ----- 18
 Figure 5. Panel Mounting Application Cutout Drawing for Optional Bracket ----- 19
 Figure 6. Definition of 6:00 O'clock and 12:00 O'clock Viewing Angles----- 20
 Figure 7. System Block Diagram ----- 21
 Figure 8. Standard Power Supply Connection through J_PWR ----- 25
 Figure 9. ATX Power Supply and Control Connections----- 27
 Figure 10. ATX Power Supply and Control Using Crystalfontz WR-PWR-Y14 Cable----- 28
 Figure 11. Four Fan Connectors ----- 29
 Figure 12. Graph showing fan PWM power (% on time) for various fan RPM ----- 30
 Figure 13. J_DOW Connection for WR-DOW-Y17 Temperature Sensor ----- 32
 Figure 14. Character Generated ROM ----- 60
 Appendix A, Figure 1. Test Circuit Schematic -----64
 Appendix B, Figure 1. Connecting DS1963S SHA iButton using DS9094 iButton Clip -----66



INTRODUCTION

COMPARISON TO CFA533

If your project does not need the fan connections, the CFA533 family is an economical replacement for the CFA633 family. In November 2010, we issued a Technical Bulletin that describes the differences between the CFA533 family and three versions of the CFA633 family. Please see [Part Change Notice #10291](#).

MAIN FEATURES

- 16 characters x 2 lines LCD with keypad and high-level interface. Will fit nicely in a 1U rack mount case (35 mm overall height).
- Module has a 6 o'clock viewing direction. See [Definition of 6 O'clock and 12:00 O'clock Viewing Angles \(Pg. 20\)](#).
- Bidirectional 19200 / 115200 baud ESD-protected RS-232 interface.
- Edge-lit yellow-green LED backlight with positive STN yellow-green transfective mode LCD. Displays dark characters on yellow-green background. Integrated yellow-green LED backlit 6-button translucent silicone keypad. Positive mode display is sunlight readable and also readable in dark areas.
- An optional 5.25-inch half-height drive bay kit with mounting bracket is available. See [CFA633 Kit Configurator](#).
- Fully decoded keypad: any key combination is valid and unique.
- Robust packet based communications protocol with 16-bit CRC.
- Nonvolatile memory capability (EEPROM):
 - Customize the "power-on" display settings.
 - 16-byte "scratch" register for storing IP address, netmask, system serial number . . .
- Firmware support for CFA633-YYH-KU allows:
 - ATX power supply control functionality allows the buttons on the CFA633-YYH-KU to replace the Power and Reset switches on your system, simplifying front panel design.
 - Four fan connectors with RPM monitoring and variable PWM fan power control. Fail-safe fan power settings allows safe host fan control based on temperature. See [25 \(0x19\): Set Fan Power Fail-Safe](#).
 - Add up to 32 Crystalfontz [WR-DOW-Y17](#) cables with DOW (Dallas One-Wire) DS18B20 temperature sensors. Monitor temperatures at up to 0.5°C absolute accuracy.
 - Hardware watchdog can reset host system on host software failure.
 - "Live Display" shows up to eight temperature or four fan readings without host intervention, allowing fans and temperatures to be shown immediately at boot, even before the host operating system is loaded.
- RoHS compliant.
- Factories have ISO certification.
- Product materials are in compliance with the regulations related to the EU Directive 2006/121/EC for Registration, Evaluation, Authorization and Restriction of Chemicals (REACH).










MODULE CLASSIFICATION INFORMATION

CFA 633 - Y Y H - K U
 ① ② ③ ④ ⑤ ⑥ ⑦

①	Brand	CrystalFontz America, Inc.
②	Model Identifier	633
③	Backlight Type & Color	Y – LED, yellow-green
④	Fluid Type, Image (positive or negative), & LCD Glass Color	Y – STN, positive yellow-green
⑤	Polarizer Film Type, Temperature Range, & View Angle (O 'Clock)	H – Transflective, Wide Temperature Range ¹ , 6:00
⑥	Special Code 1	K – Manufacturer's code
⑦	Special Code 2	U – USB

¹Wide Temperature Range is -20°C minimum to +70°C maximum.

ORDERING INFORMATION

PART NUMBER	FLUID	LCD GLASS COLOR	IMAGE	POLARIZER FILM	BACKLIGHT COLOR/TYPE
CFA633-YYH-KU (USB)	STN	yellow-green	positive	transflective	LCD: yellow-green edge LEDs Keypad: yellow-green LEDs 
<i>Additional variants (same form factor, different LCD mode or backlight):</i>					
CFA633-RDI-KU (USB)	FFSTN	near-black	negative	transmissive	LCD: red edge LEDs Keypad: red LEDs 
CFA633-TMI-KU (USB)	STN	blue	negative	transmissive	LCD: white edge LEDs Keypad: blue LEDs 
CFA633-RDI-KS ("full swing" RS-232)	FFSTN	near-black	negative	transmissive	LCD: red edge LEDs Keypad: red LEDs 
CFA633-TFH-KS ("full swing" RS-232)	FSTN	neutral	positive	transflective	LCD: white edge LEDs Keypad: white LEDs 
CFA633-TMI-KS ("full swing" RS-232)	STN	blue	negative	transmissive	LCD: white edge LEDs Keypad: blue LEDs 
CFA633-YYH-KS ("full swing" RS-232)	STN	yellow-green	positive	transflective	LCD: yellow-green edge LEDs Keypad: yellow-green LEDs 



ACCESSORIES

Customize Your Module (Connectors and Cable Choices)

Go to the web page for CFA633-YYH-KU. After you click on the “*Customize and Add to Cart*” button, you will see a list of questions for different cables and connectors.

Kit Configurations (Brackets with Overlays and Cable Choices)

Kits with modules are available here: https://www.crystalfontz.com/products/select_kit.html.

The kits have these accessories:

- Bracket*: A 5.25-inch half-height drive bay mounting bracket.
- Overlay*: An overlay for the front of module with a display window of thick hard-coated polycarbonate. Overlays are sold with the bracket. Overlay choices are silver brushed anodized aluminum, beige plastic, and black plastic.
- Cables*: Three choices. A kit may have one to five cables.

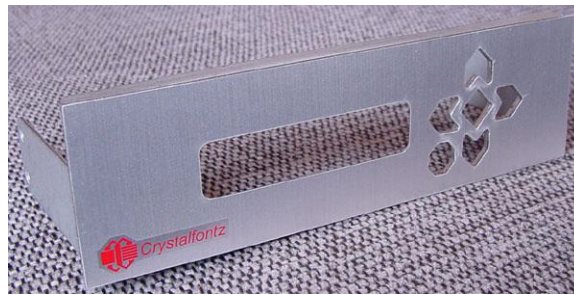


Figure 1. Bracket with Aluminum Overlay



Buy Cables Separately

Cable lengths are approximate. Common configurations are described in the section [CONNECTION INFORMATION \(Pg. 25\)](#). Additional cables are available on our website.

Crystalfontz Cable	Description All cables are RoHS compliant
WR-PWR-Y12 ~13 inches	Cable allows you to plug a 4-pin “hard drive style” Molex power connector into the module’s “floppy drive style” power connector, plus provides an additional female 4-pin Molex connector.
WR-USB-Y03 ~6.5 feet	The cable has two different types of USB connectors, one smaller than the other. Connect the cable’s smaller 2mm female USB connector to the module’s USB connector. Connect the cable’s larger USB-A female connector to host’s USB-A connector.
WR-USB-Y27 ~6 feet	The cable has two different types of USB connectors, one smaller than the other. Connect cable’s smaller micro-B USB female connector to module’s micro-B USB connector. Connect cable’s larger USB-A female connector to host’s USB-A connector.
WR-USB-Y34 ~27 inches	Connect cable’s micro-B USB female connector to module’s micro-B USB connector. Connect cable’s single piece 4-pin 0.1" female connector to USB pins on host’s motherboard. <i>For correct orientation, note the +5v location on the 4-pin connector.</i>
WR-PWR-Y14 ~24 inches	Use this ATX power cable to turn an ATX power supply on and off, or power cycle the host through the module. Requires optional 7-in female connector at J8 on module. Select J8 connector after you click on the module’s website page button “Customize and Add to Cart”. Connect the cable’s male 7-pin connector to the module’s J8 female connector.
WR-FAN-X01 ~16 inches	Connect up to four cables to connect up to four fans. Connect cable’s 3-pin male connector to module’s connectors labeled FAN1, FAN2, FAN3, or FAN4. Connect cable’s 3-pin female connector to a fan’s connector. (Fans are not sold by Crystalfontz.)
WR-DOW-Y17 ~12 inches + ~12 inches between connectors	Connect (“daisy chain”) up to 32 of these DOW (Dallas One-Wire) DS18B20 temperature sensor cables. Requires optional DOW connector at J_DOW on module. Select DOW connector after you click on the module’s website page button “Customize and Add to Cart”.



MECHANICAL CHARACTERISTICS

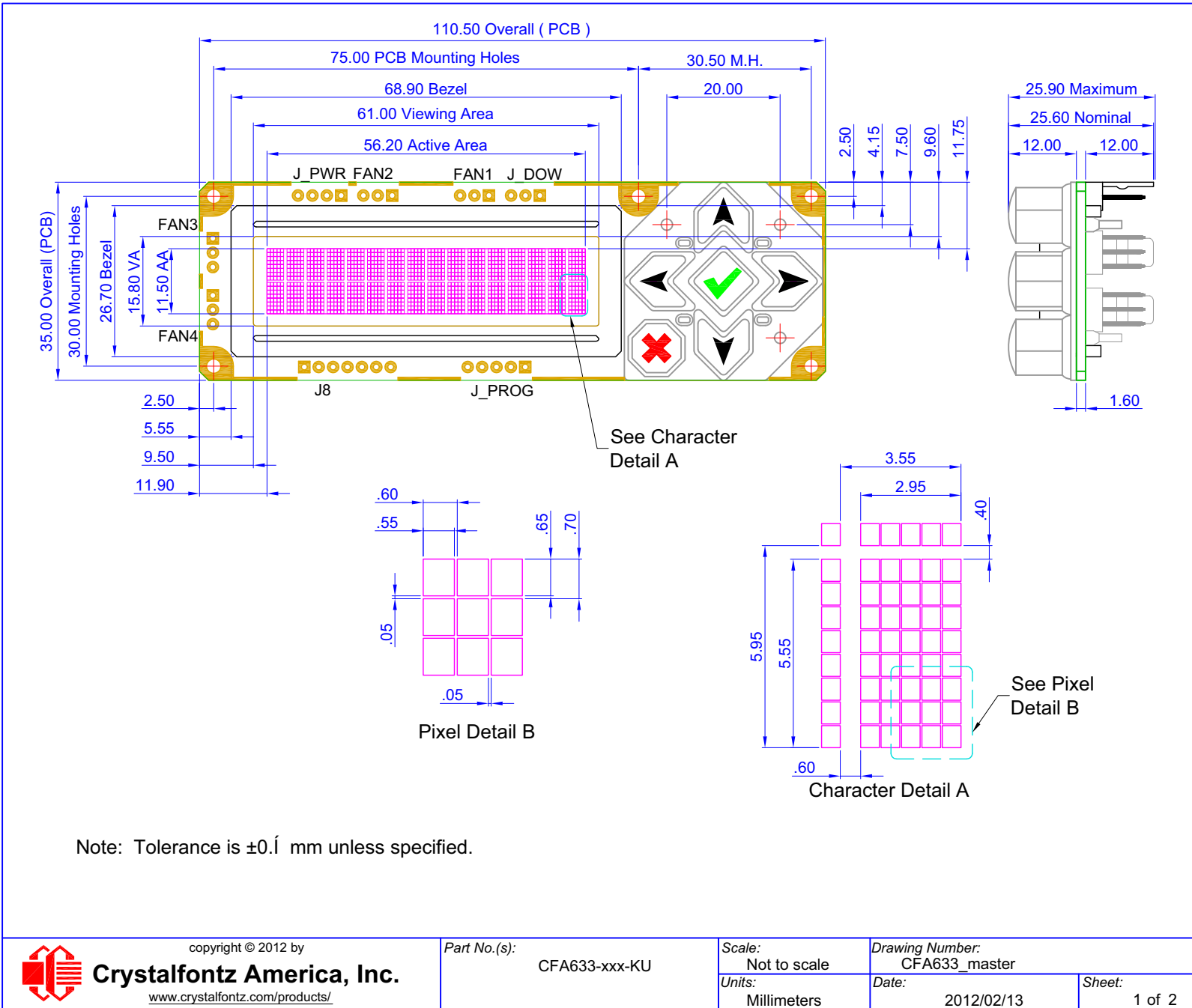
PHYSICAL CHARACTERISTICS

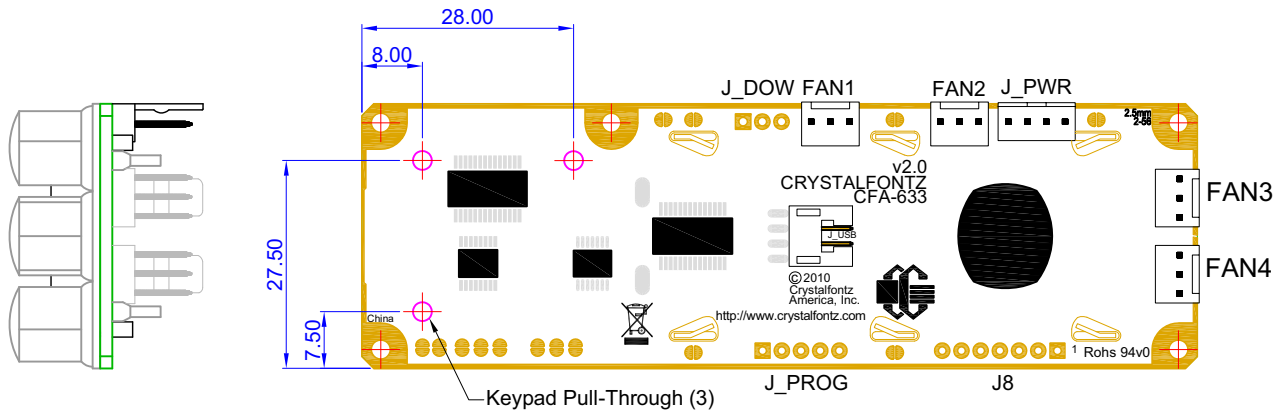
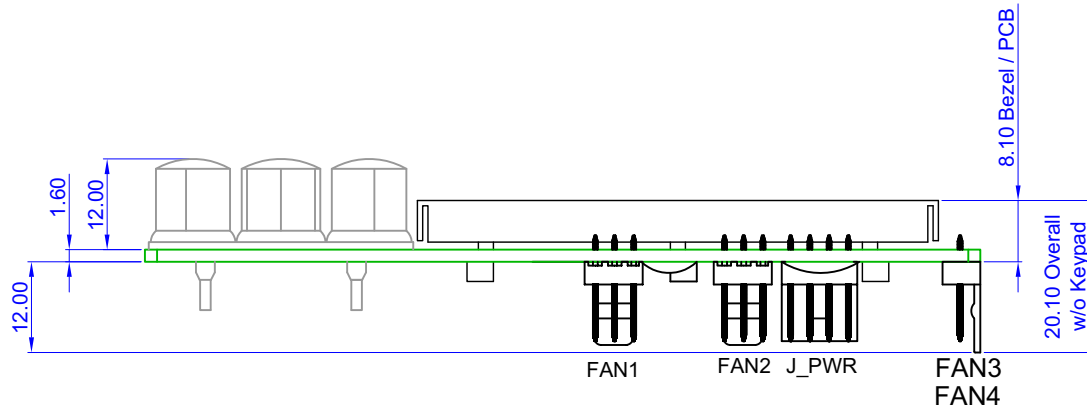
ITEM	SPECIFICATION
Module Overall Dimensions	
Width and Height	110.5 (W) x 35.0 (H)
Depth Without Keypad	20.1
Nominal Depth With Keypad	25.6
Maximum Depth With Keypad	25.9
Viewing Area	61.0 (W) x 15.8 (H)
Active Area	56.20 (W) x 11.5 0(H)
Character Size	2.95 (W) x 5.55 (H)
Character Pitch	3.55 (W) x 5.95 (H)
Dot Size	0.55 (W) x 0.65 (H)
Dot Pitch	0.60 (W) x 0.70 (H)
Keystroke Travel (approximate)	2.4
Weight	42 grams (typical)



MODULE OUTLINE DRAWINGS

Figure 2. CFA633 Module Outline Drawing (two pages below)





Note: Tolerance is ± 0.5 mm unless specified.



copyright © 2012 by

Crystalfontz America, Inc.

www.crystalfontz.com/products/

Part No.(s):

CFA633-xxx-KU

Scale:

Not to scale

Units:

Millimeters

Drawing Number:

CFA633_master

Date:

2012/02/13

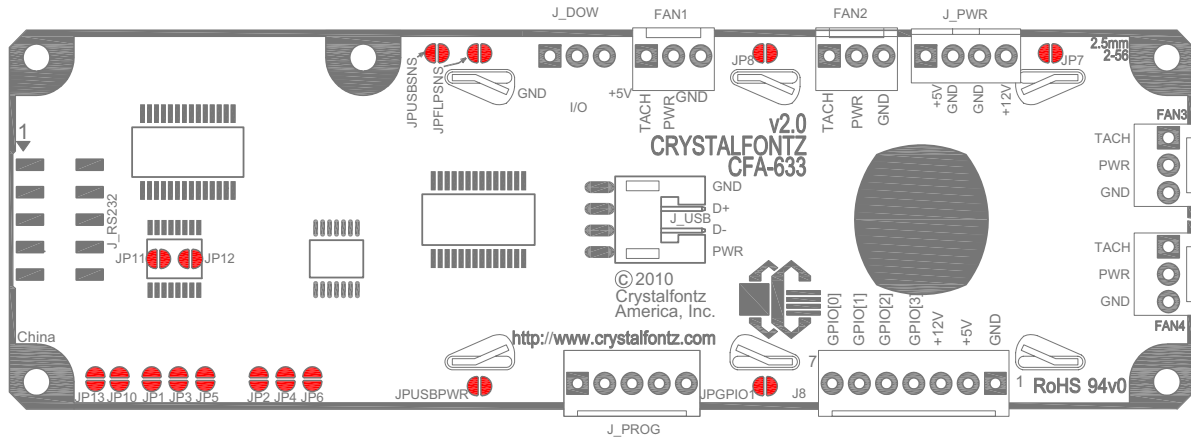
Sheet:

2 of 2



JUMPER LOCATIONS AND FUNCTIONS (ALL INTERFACES)

All jumpers are configurable but not all jumpers will affect your interface (serial or USB). Close jumpers by melting a ball of solder across their gap. Reopen the jumpers by removing the solder with solder wick.



CFA633 HW v2.0 Jumper Locations And Functions

JP1	open closed	J1 (RS232), Pin 10 is open LCD Tx/Host Rx to J1 (RS232), Pin 10
JP2	open closed	J1 (RS232), Pin 2 is open (see also JP3 and JP11) LCD Tx/Host Rx to J1(RS232), Pin 2
JP3	open closed	J1 (RS232), Pin 2 is open (see also JP2 and JP11) LCD Tx/Host Rx to J1 (RS232), Pin 2
JP4	open closed	J1 (RS232), Pin 3 is open (see also JP5 and JP12) LCD Rx/Host Tx to J1 (RS232), Pin 3
JP5	open closed	J1 (RS232), Pin 3 is open (see also JP4 and JP12) Ground to J1 (RS232), Pin 3
JP6	open closed	J1 (RS232), Pin 5 is open Ground to J1 (RS232), Pin 5
JP7	open closed	+12v fans is isolated from +12v backlight +12v fans is connected to +12v backlight
JP8	open closed	+5v pin from PWR connector is open (see also JP9) +5v pin from PWR connector supplies power to module

JP10	open closed	J1 (RS232), Pin 1 is open +12v backlight to J1 (RS232), Pin 1
JP11	open closed	J1 (RS232), Pin 2 is open (see also JP2 and JP3) Logic-level (0-5v) LCD Tx / Host Rx to J1 (RS232), Pin 2
JP12	open closed	J1 (RS232), Pin 3 is open (see also JP4 and JP5) Logic-level (0-5v) LCD Rx / Host Tx to J1 (RS232), Pin 3
JP13	open closed	J1 (RS232), Pin 4 is open +5v to J1 (RS232), Pin 4
JPUSBPWR	open closed	Module +5v power independent of USB Module +5v power supplied from USB
JPUSBSNS	open closed	No function +5v from USB is connected to processor's ATX SENSE
JPFLPSNS	open closed	No function +5v from floppy is connected to processor's ATX SENSE
JPGPIO1	open closed	Adds 5K Ω series resistor for ATX host power sense GPIO[1] direct connection

Figure 3. Jumper Locations and Functions (All Interfaces)



KEYPAD DETAIL DRAWING

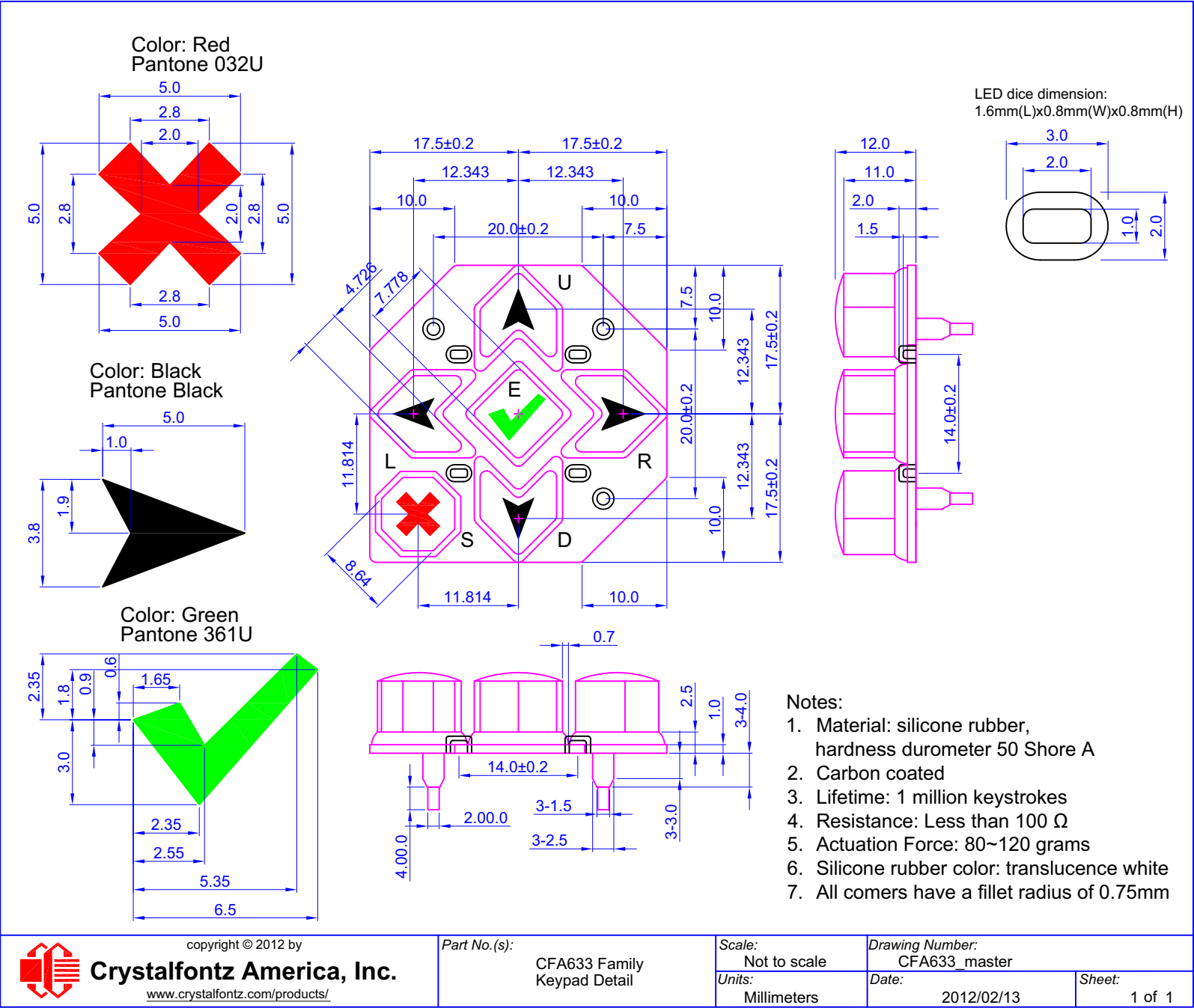


Figure 4. Keypad Detail Drawing



Crystalfontz America, Inc.

www.crystalfontz.com/products/

copyright © 2012 by

Part No.(s):

CFA633 Family
 Keypad Detail

Scale:

Not to scale

Units:

Millimeters

Drawing Number:

CFA633_master

Date:

2012/02/13

Sheet:

1 of 1



PANEL MOUNTING APPLICATION CUTOUT DRAWING

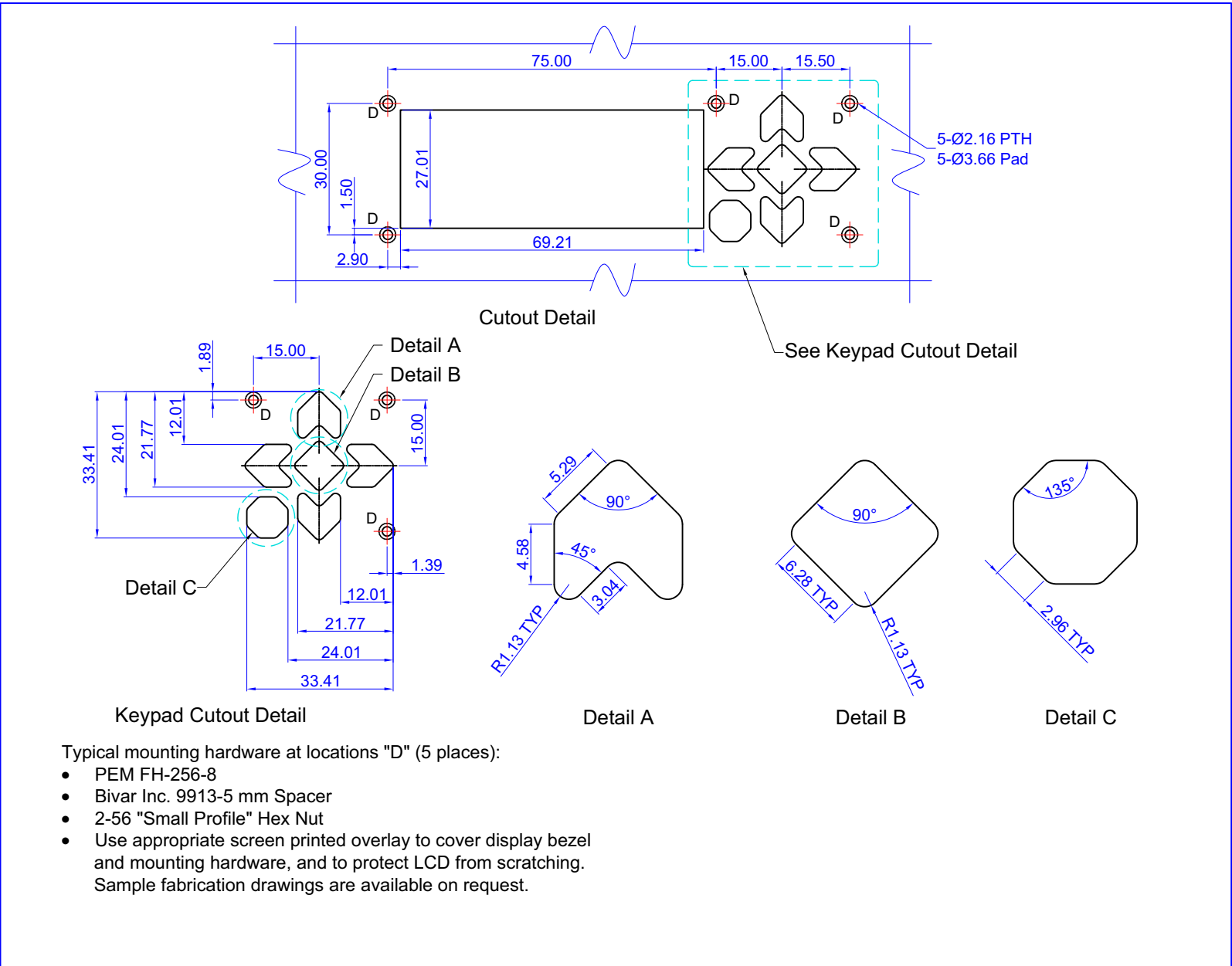



Figure 5. Panel Mounting Application Cutout Drawing for Optional Bracket

 <p>copyright © 2012 by Crystalfontz America, Inc. www.crystalfontz.com/products/</p>	<p>Part No.(s): CFA633 Family Panel Mounting Application Detail</p>	<p>Scale: Not to scale</p>	<p>Drawing Number: CFA633_master</p>	
		<p>Units: Millimeters</p>	<p>Date: 2012/02/13</p>	<p>Sheet: 1 of 1</p>



OPTICAL CHARACTERISTICS

Viewing Direction	6 o'clock
-------------------	-----------

Definition of 6 O'clock and 12:00 O'clock Viewing Angles

This module has a 6:00 o'clock viewing angle.

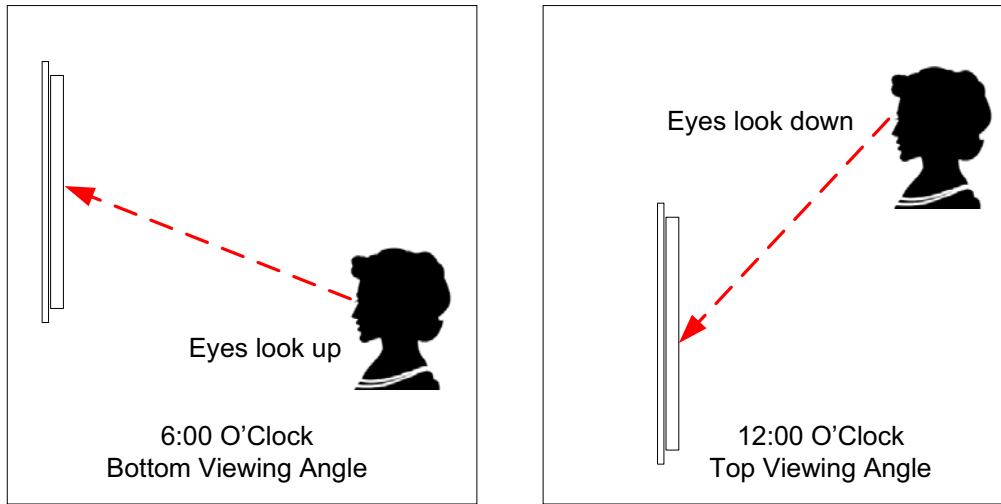


Figure 6. Definition of 6:00 O'clock and 12:00 O'clock Viewing Angles



ELECTRICAL SPECIFICATIONS

SYSTEM BLOCK DIAGRAM

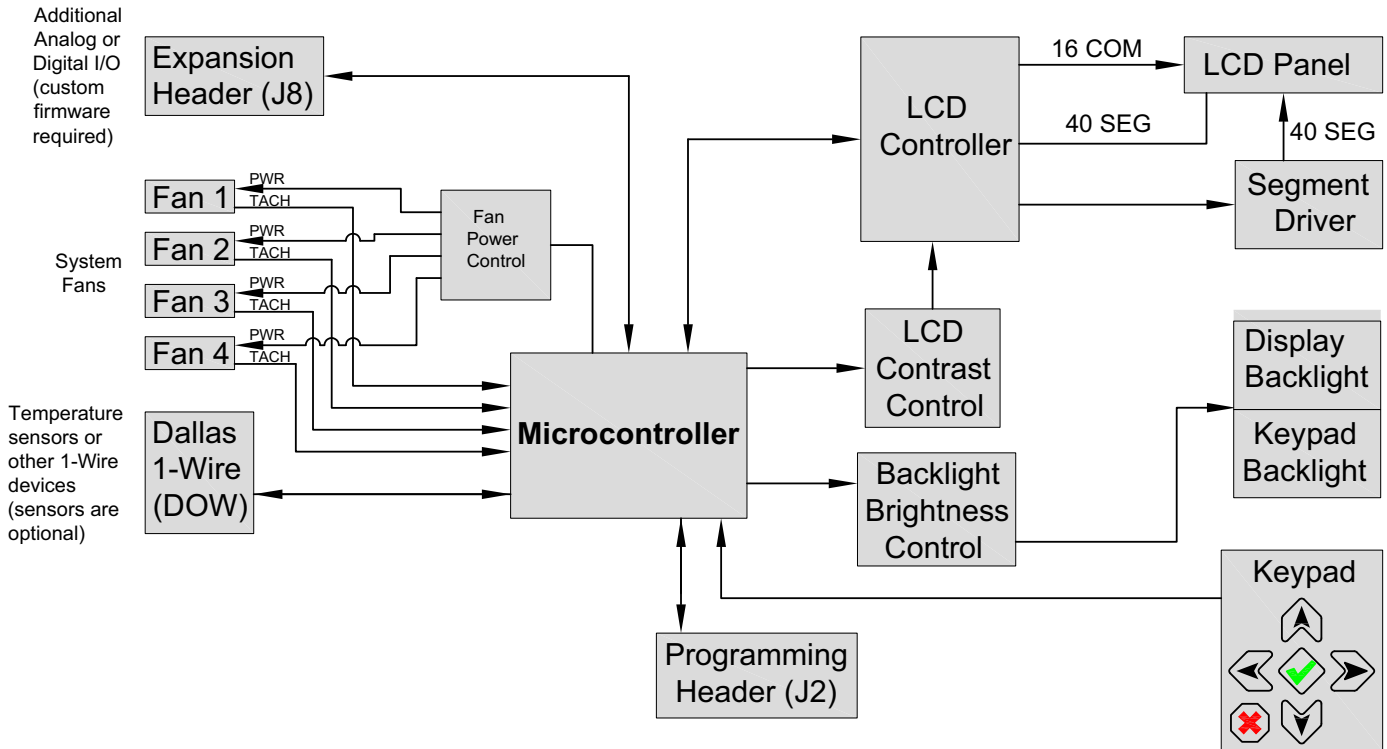


Figure 7. System Block Diagram



SUPPLY VOLTAGES AND CURRENT

DRIVING METHOD	SPECIFICATION
Duty	1/16
Bias	1.5

SUPPLY VOLTAGE	MINIMUM	NOMINAL	MAXIMUM
Supply voltage for driving the LCD module (logic)	+4.75v	+5.0v	+5.25v
Supply voltage for backlight*	+11v	+12v	+13v
Supply voltage to run fans*	+4.75v	+12v	+13v
*JP7 must be opened for the operating range of +12v fans (optional) to be different from +12v backlights (listed in this table). If JP7 is closed (which is the default), then the voltage specification range for backlights must be observed for both backlights AND fans.			

TYPICAL CURRENT CONSUMPTION	SPECIFICATION
+5v for logic (LCD + microcontroller)	12 mA
+12v for backlight (at 100%)	75 mA
<p style="text-align: center;">Note</p> <p>Draw on +12v for optional fans will vary, depending on user equipment connected to FAN1 through FAN4.</p> <ul style="list-style-type: none"> ● Maximum <i>continuous</i> current draw must be <1.5 A per fan connector, no more than 4 A total. ● Maximum <i>pulsed</i> current draw may be up to 5 A per connector. The pulse width must be less than 50 mS. (This pulse specification allows for the fan's start-up current spike.) 	

GPIO CURRENT LIMITS	SPECIFICATION
Sink	25 mA
Source	10 mA



BACKLIGHT AND FAN ¹ CRITERIA	SPECIFICATION
Backlight PWM ² Frequency	320 Hz nominal
Fan Tachometer Speed Range (assuming two PPR ³)	600 RPM to 3,000,000 RPM
Fan Power Control PWM ² Frequency	18 Hz nominal
<p>¹Fans are an optional accessory.</p> <p>²PWM is <i>Pulse Width Modulation</i>. PWM is a way to simulate intermediate levels by switching a level between full on and full off. PWM can be used to control the brightness of LED backlights, relying on the natural averaging done by the human eye, as well as for controlling fan power.</p> <p>³PPR is <i>Pulses Per Revolution</i>, also written as p/r.</p>	

ABSOLUTE MAXIMUM RATINGS

ABSOLUTE MAXIMUM RATINGS	SYMBOL	MINIMUM	MAXIMUM
Operating Temperature	T _{OP}	-20°C	+70°C
Storage Temperature	T _{ST}	-30°C	+80°C
Humidity Range (Noncondensing)	RH	10%	90%
Supply Voltage for Logic	V _{DD}	0v	+5.5v
<p><u>Notes:</u> These are stress ratings only. Extended exposure to the absolute maximum ratings listed above may affect device reliability or cause permanent damage. Functional operation of the module at these conditions beyond those listed under DC Characteristics is not implied.</p>			



DC CHARACTERISTICS

	DC CHARACTERISTICS	TEST CONDITIONS	SYMBOL	MINIMUM	TYPICAL	MAXIMUM
CONTROLLER AND BOARD	Supply Voltage for Logic	$T_{OP} = -30^{\circ}C$ to $+70^{\circ}C$	$V_{DD} - GND$	+4.75v	+5.0v	+5.25v ¹
	LCD Driver Voltage	$T_a = 25^{\circ}C$	V_{LCD}	+4.8v	+5.0v	+5.2v
	Input High Voltage	$V_{DD} = +5v$	V_{IH}	$V_{DD}-1.0v$		V_{DD}
	Input Low Voltage		V_{IL}	0v (GND)		+0.6v
	Output High Voltage		V_{OH}	+0.9 V_{DD}		
	Output Low Voltage		V_{OL}	0v (GND)		+0.1 V_{DD}
¹ Do not exceed +5.25v maximum.						



ESD (ELECTRO-STATIC DISCHARGE) SPECIFICATIONS

The circuitry is industry standard CMOS logic and susceptible to ESD damage. Please use industry standard antistatic precautions as you would for any other static sensitive devices such as expansion cards, motherboards, or integrated circuits. Ground your body, work surfaces, and equipment.

LED BACKLIGHT INFORMATION

The backlight uses LEDs. The backlight is easy to use properly but it is also easily damaged by abuse.

NOTE

For modules with **white** backlights (CFA633-TFH-Kx  and CFA633-TMI-Kx ) , we recommend that the backlight be dimmed or turned off during periods of inactivity to conserve the LEDs' lifetime.

LEDs are "current" devices. The brightness is controlled by the current flowing through it, not the voltage across it. Ideally, a current source would be used to drive the LEDs. A simple current limiting resistor works well in most applications and is much less complex than a current source.



CONNECTION INFORMATION

STANDARD POWER CONNECTION

The easiest way to provide power from a host to CFA633-YYH-KU is to connect a cable that would normally be used from the host's power supply to a peripheral. If an older PC is the host, this would be the cable for the 3.5-inch floppy drive connection. If a cable is not available, you may buy the Crystalfontz [WR-PWR-Y12](#) cable to connect to the large 4-pin power supply cable connector.

JP7 and JP8 are closed by default. JP7 can be opened to supply power to the fans separate from the power to the backlight. See [Jumper Locations and Functions \(All Interfaces\) \(Pg. 17\)](#).

The connector loaded at J_PWR is ([Tyco Electronics / Amp part number 4-171825-4](#), [Mouser Electronics part number 571-4-171825-4](#)).

NOTE

Do not connect high power fans to the module when +12v is supplied through J8, Pin 3 and JP7 is closed. Total fan current must be less than 500 mA if +12v is supplied through J8, Pin 3 and JP7 is closed. When using high power fans, supply the +12v through the J_PWR connector.

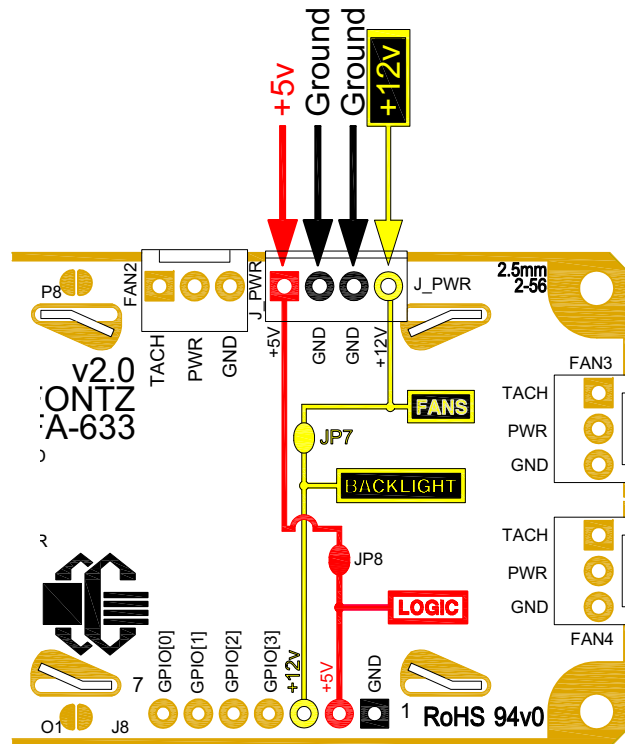


Figure 8. Standard Power Supply Connection through J_PWR



ATX POWER SUPPLY AND CONTROL CONNECTIONS

The CFA633-YYH-KU has the ability to control power on/off and reset functions of a standard ATX PC.

NOTE

The GPIO pins used for ATX control must not be configured as user GPIO, and must be configured to their default drive mode in order for the ATX functions to work correctly. These settings are the default but may be changed by the user. Please see command [34 \(0x22\): Set or Set and Configure GPIO Pins \(Pg. 56\)](#).

The Crystalfontz [WR-PWR-Y14](#) cable simplifies ATX power control connections. When using this cable, please open jumper JP8 and JPGPIO1. Close jumper JPFLPSNS in order to ensure correct operation. See [Jumper Locations and Functions \(All Interfaces\) \(Pg. 17\)](#) for jumper positions and locations.

NOTE

If the Crystalfontz [WR-PWR-Y14](#) cable is ordered at the same time as the module, Crystalfontz will install the [WR-PWR-Y14](#) connector on the module, open jumper per JP8 and JPGPIO1. Close jumper JPFLPSNS, and send the following software configuration commands (unless we are otherwise instructed). Please note that once these changes are made, power must be applied to connector J_PWR, pin +5v and connector J8, pin +5v for the module to power up:

```
command = 28 // Set ATX Switch Functionality
length = 1
data[0] = 240 // Enable:
                // KEYPAD_POWER_OFF
                // KEYPAD_POWER_ON
                // KEYPAD_RESET
                // LCD_OFF_IF_HOST_IS_OFF
command = 4 // Store current state as boot state
length = 0
```

For this functionality, this configuration of the CFA633-YYH-KU is powered from the PC's V_{SB} signal (the “stand-by” or “always-on” +5v ATX power supply output).

By default, the pin labeled +5v on the CFA633-YYH-KU's connector J8 is electrically connected to the +5v pin on the CFA633-YYH-KU's J_PWR connector. If you are using CFA633-YYH-KU to do ATX power control, you will want to open jumper JP8, which will disconnect the +5v of the J_PWR connector from the +5v of connector J8.

Since the CFA633-YYH-KU must act differently depending on if the host's power supply is “on” or “off”. By opening JPGPIO1, a 5K Ω resistor is added in series that will connect to the host's “switched +5v” through JPFLPSNS. The switched +5v power can be either the J_PWR for serial or J_USB for USB module.

The motherboard's power switch input is connected to Pin 5 of the CFA633-YYH-KU's connector J8 (labeled as GPIO[2]). This pin functions as POWER CONTROL. The POWER CONTROL pin is configured as a high-impedance input until the LCD module wants to turn the host on or off, then it will change momentarily to low impedance output, driving either low or high depending on the setting of POWER_INVERT. (See command [28 \(0x1C\): Set ATX Power Switch Functionality \(Pg. 52\)](#).)

The motherboard's reset switch input is connected to Pin 4 of the CFA633-YYH-KU connector J8 (labeled as GPIO[3]). This pin functions as RESET. The RESET pin is configured as a high-impedance input until the LCD module wants to reset the host. Then it will change momentarily to low impedance output, driving either low or high depending on the



setting of RESET_INVERT. (See command [28 \(0x1C\): Set ATX Power Switch Functionality \(Pg. 52\)](#).) This connection is also used for the hardware watchdog.

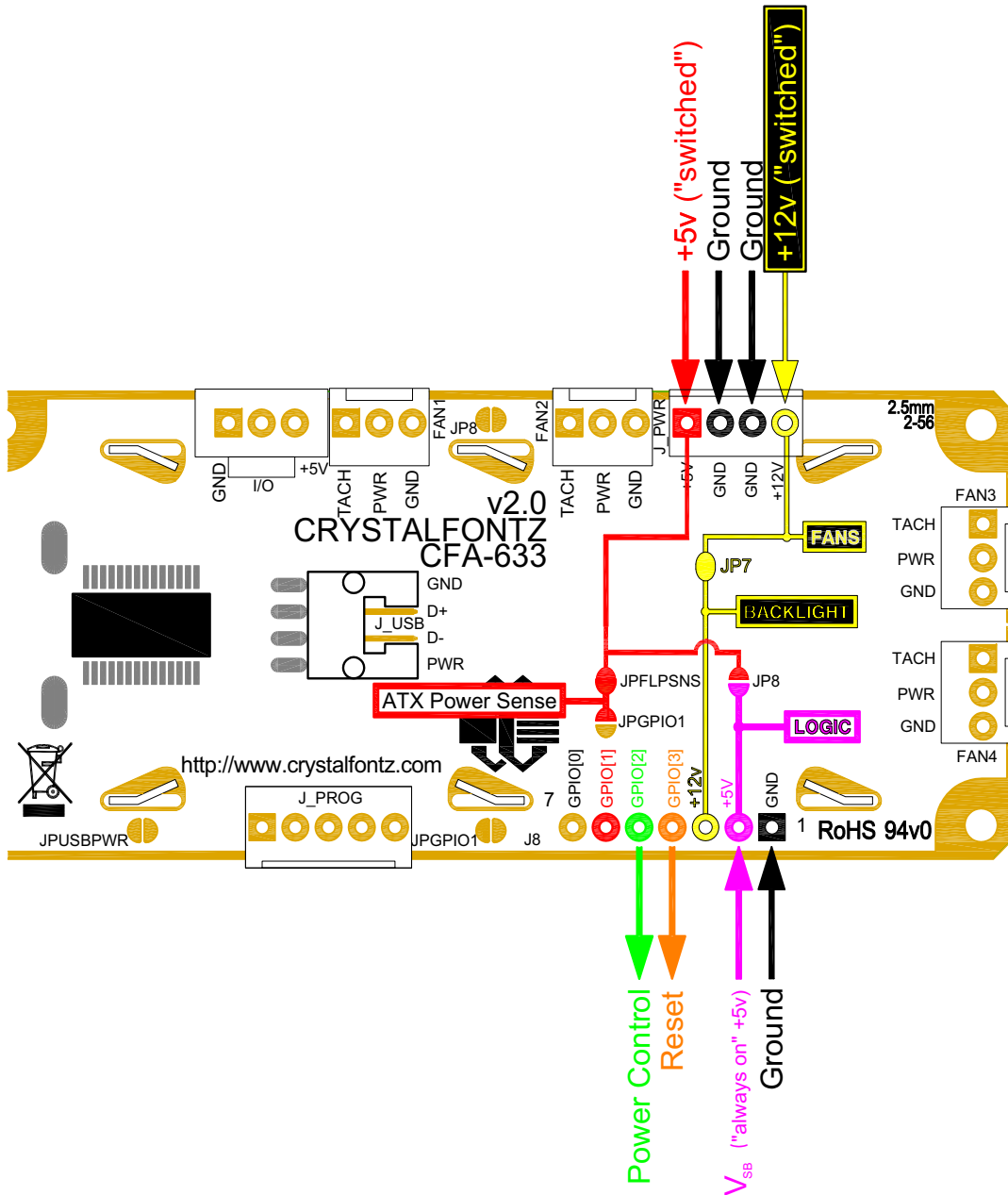


Figure 9. ATX Power Supply and Control Connections

Once configured by the host software (see command [28 \(0x1C\): Set ATX Power Switch Functionality \(Pg. 52\)](#)), the following functions may be individually enabled:

- **System power on.** If POWER-ON SENSE is low (0v), pressing the green check key for 0.25 seconds will turn the unit on by driving POWER CONTROL line for the pulse width set by command 28: Set ATX Power Switch Functionality (1.0 seconds default).



- **System hard power off.** If POWER-ON SENSE is high (+5v) pressing the red X key for 4 seconds will turn the system off by driving the POWER CONTROL line. The line will be driven for a minimum of the pulse width set by command [28 \(0x1C\): Set ATX Power Switch Functionality \(Pg. 52\)](#) (1.0 seconds default). If the user continues to press the key, the CFA633-YYH-KU will continue to drive the line for up to an additional 5 seconds.
- **System hard reset.** If POWER-ON SENSE is high (+5v) pressing the green check key for 4 seconds will reset the system off by driving the RESET line for 1 second. The CFA633-YYH-KU will reboot itself immediately after resetting the host.

Since the computer and LCD module must look off if the computer's power is off, the CFA633-YYH-KU can be configured to monitor the POWER-ON SENSE line and blank its display any time the POWER-ON SENSE line is low. If +12v remains active (which would not be expected, since the host is "off"), the fans will remain on at their previous settings.

Here is an illustration of how the optional Crystalfontz [WR-PWR-Y14](#) cable connects to the CFA633 connector J8 and your ATX power supply:

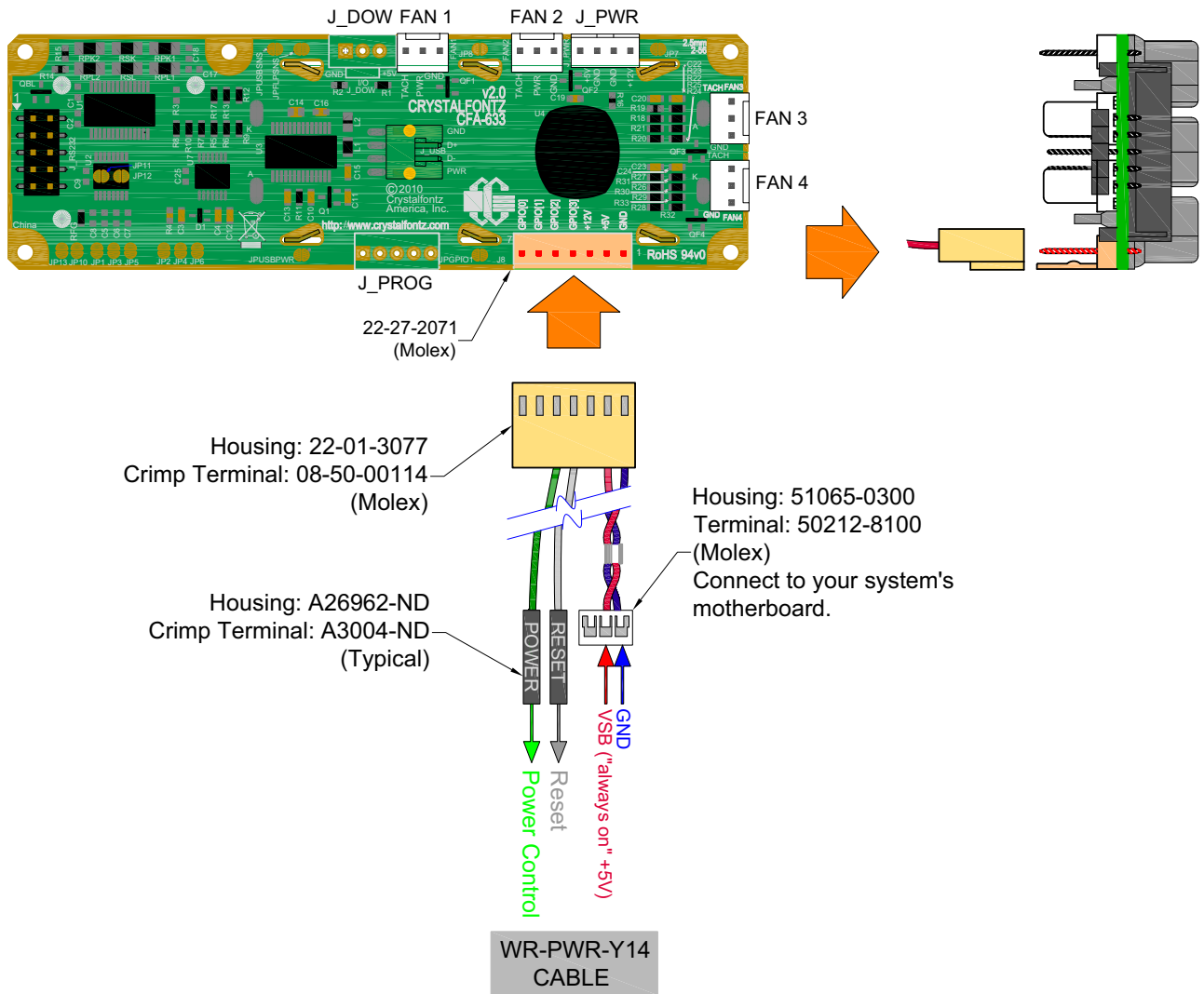


Figure 10. ATX Power Supply and Control Using Crystalfontz WR-PWR-Y14 Cable



USB HOST AND POWER CONNECTIONS

To download and install the FTDI USB certified driver for Vista, XP, or a Mac operating system, follow the three-step installation instructions here: <http://www.crystalfontz.com/software/usb/index.html>.

See also CrystalControl2 software here: <http://www.crystalfontz.com/product/CrystalControl2>.

USB Connection to Host

In order to keep the CFA633-YYH-KU as thin as possible, the CFA633-YYH-KU uses a very low profile 2 mm latching polarized connector for USB connection. Crystalfontz offers two cables that make the connection between the CFA633-YYH-KU and the host. The [WRUSBY03](#) (6-foot) has the mating 2 mm connector on one end and a standard "USB A" on the other end. The [WRUSBY11](#) (27-inch) has the mating 2 mm connector on one end and standard single pin connectors on the opposite end. These single pin connectors are suitable to plug directly onto the USB headers typically found on motherboards.

If you would like to make your own cable, the connector on the CFA633-YYH-KU is:

FCI/Berg 95000-004: SMT 2mm connector, 4-position, polarized

The mating housing and crimping contact for the cable are:

FCI/Berg 90312-004: Housing, 2 mm connector, 4-position, polarized

FCI/Berg 77138-001: Crimping Contact (4 pieces required)

FAN CONNECTIONS

The CFA633-YYH-KU supports up to 4 standard "3-pin" cooling fans. The fan connectors are compatible with industry standard "3-pin" fans.

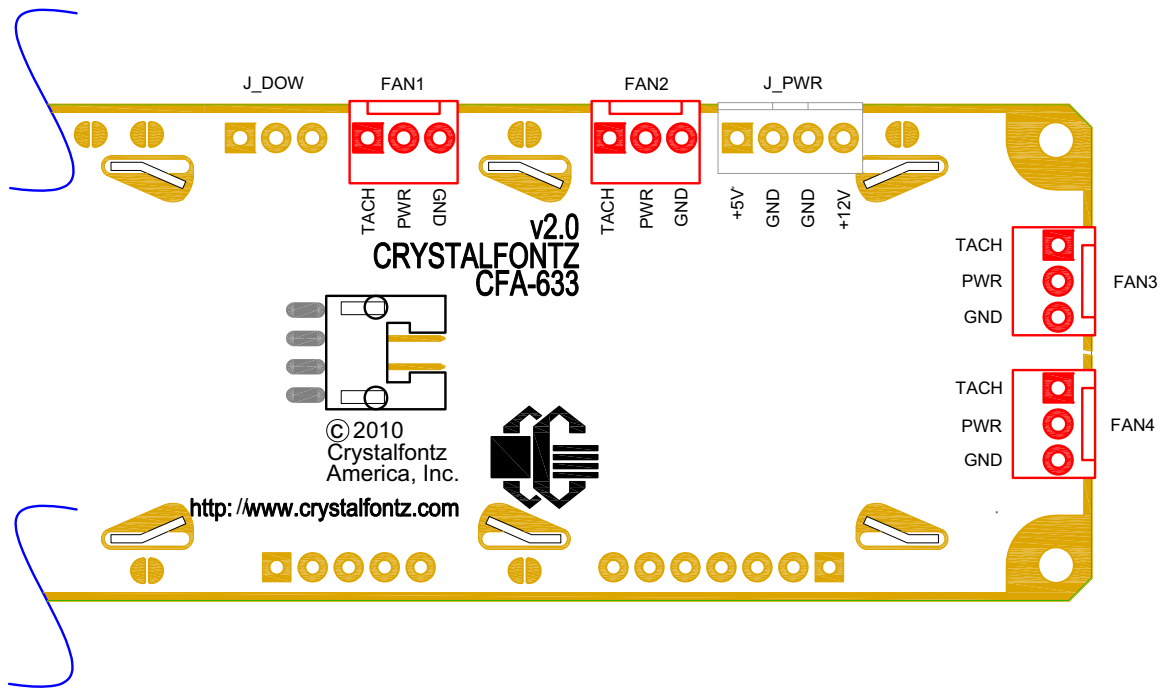


Figure 11. Four Fan Connectors



The average power delivered to each fan may be set to any level between 0% and 100% through command [17 \(0x11\): Set Fan Power \(Pg. 43\)](#). The power setting controls the PWM duty cycle of a high-performance open-drain FET connected between the system ground and the GND pin of each fan connector. The PWM frequency is nominally 18 Hz.

The CFA633-YYH-KU can measure the frequency of the fan's tachometer signal, and given the pulses-per-revolution, calculate the RPM and display it on the LCD or report the information needed to calculate the RPM to the host. If a fan's power is set to 100%, then the average frequency of each fan's tachometer signal is measured over a 1/8 second (125 ms) period of time. Each fan is measured in sequence, so updated fan speed information is available every 1/2 second (500 ms) for each fan.

The power to a fan must be on in order for the fan's tachometer signal to be valid. If a fan is configured to report its speed to the host, the power of the fan will be unconditionally set to 100% at the start of the 1/8 second period of time when the CFA633-YYH-KU is measuring the frequency of the tachometer signal, overriding the PWM. The CFA633-YYH-KU will leave the power to the fan on until the glitch delay (see command [26 \(0x1A\): Set Fan Tachometer Glitch Filter \(Pg. 50\)](#)) has expired and two tachometer edges have been detected. The normal PWM cycle will then resume.

This technique allows the fan speed to be measured with a very minimal effect on the speed of the fan. If the fan power is set to 100% or if the speed of the fan and length of the PWM on time are such that the speed can be measured without stretching the PWM, then this override will not change the speed of the fan at all. If the fan power is set to some level other than 100% and the PWM on time is short compared to the tachometer signal frequency, then the fan speed will pulse slightly every 1/2 second due to the stretching of the PWM on time. During tachometer measuring, the maximum width of a stretched on pulse is 1/8 second. For some fans, the result is not very noticeable, and this technique will allow you to monitor the average speed of the fan while controlling the average power of the fan. For other fans (particularly high torque, high RPM models) the pulsing effect may be undesirable.

Since the on-time is dynamically stretched by the CFA633-YYH-KU to force the fan to produce two tachometer edges, the result is that the fan will resist stalling as power is reduced towards 0% and the RPM is being measured.

Here is a graph of fan RPM vs. the fan power setting for a typical high-performance 80 mm fan (for example, [Delta FFB0812SHE](#)):

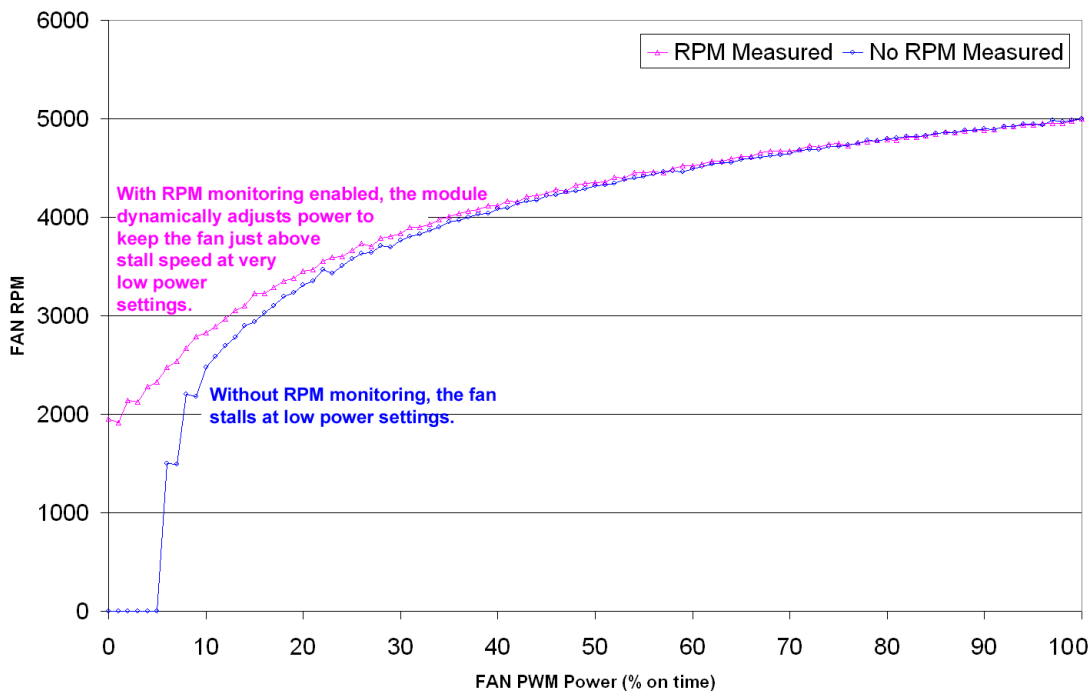


Figure 12. Graph showing fan PWM power (% on time) for various fan RPM



Typically if the fan speed is not at 100% then it is being controlled by the host software to drive a temperature sensor to a given reading in a closed-loop arrangement. In this case, the temperature, rather than the fan speed would be monitored for out-of-range conditions. If the temperature is within specification, you really do not care how fast the fan is turning. In an unattended system, it may be a good idea to set each fan to 100% for a few seconds during a test cycle — perhaps once a day or once a week — and log the steady-state RPM attained by the fan. If that steady state RPM were higher (this can be caused by a blocked airflow) or lower than expected (perhaps the fan's bearings are failing), a maintenance warning could be generated by the host software.

NOTE

For safety, enable the fan power fail-safe (see command [25 \(0x19\): Set Fan Power Fail-Safe \(Pg. 49\)](#)) on any fans involved in host-based speed control. By enabling the fail-safe on a fan that is being used in closed-loop control through host software, the CFA633-YYH-KU will turn that fan to 100% if the host fails to update the power of the fans within a given time interval. For instance, if the communications cable is dislodged, the host operating system hangs, or cooling control process is terminated, the CFA633-YYH-KU will automatically force those fans to 100%, preventing potential equipment damage due to lack of cooling.

We tested the CFA633-YYH-KU with a large range of fans and had good results. However, you are responsible for determining if the control and monitoring methods employed by the LCD module are acceptable for your application. In particular, if a fan's power is set too low, it may stall or fail to start, providing no cooling. Using a PWM to control fan speed is generally accepted; however we make no claims that it is compatible with any particular fan or that it does not affect the lifetime of the fans. Some higher torque fans (especially the ball-bearing models) may click, buzz, or growl at low power settings due to the torque in the fan going from positive to negative in each PWM cycle. If you limit the power setting to 0% or 100% there should be no compatibility issues. We do not recommend operating a fan below 20% PWM duty cycle for an extended period of time. Limiting the minimum PWM duty cycle to 30% or 40% should reduce the mechanical and electrical stresses in the fan, avoiding premature failure.

When power is applied to the CFA633-YYH-KU, it will set each fan's power to the default value of 100% or to the value that is stored in the boot state. To minimize peak current loading on the +12v supply during start-up, the fans are started in sequence with a 0.5 second delay between any fans that are on.



CONNECT OPTIONAL CRYSTALFONTZ WR-DOW-Y17 TEMPERATURE SENSORS

The Crystalfontz [WR-DOW-Y17](#) cable has a [DS18B20](#) Dallas Programmable Resolution One-Wire (DOW) temperature sensor attached to a “daisy chainable” cable. (“Daisy chain” means several devices connected in a linear series.) Connect one WR-DOW-Y17 to the connector labeled J_DOW.

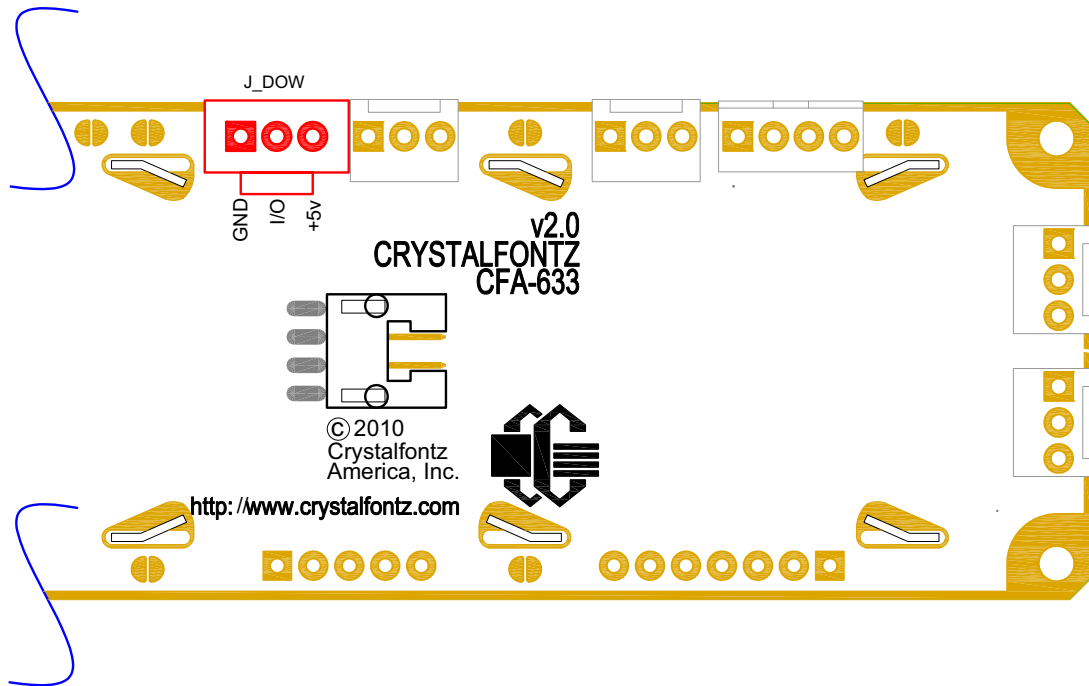


Figure 13. J_DOW Connection for WR-DOW-Y17 Temperature Sensor

If desired, connect the WR-DOW-Y17's 3-pin male connector to an additional WR-DOW-Y17 temperature sensor. Up to 32 WR-DOW-Y17 temperature sensors can be connected. (“Daisy chained”).

The DS18B20 on the WR-DOW-Y17 has 0.5°C absolute accuracy. Or you make a temperature sensor cable using a [DS1822](#) Dallas Econo One-Wire Digital Thermometer with $\pm 2^\circ\text{C}$ accuracy.

Any temperature sensor can be configured to be automatically read and display to the CFA633-YYH-KU's LCD in °C or °F (see command [21 \(0x15\): Set Up Live Fan or Temperature Display \(Pg. 47\)](#)). Independently, any temperature sensor can be configured to report to the host (see [19 \(0x13\): Set Up Temperature Reporting \(Pg. 46\)](#)). Any sensors configured to be reported are updated once each second.

HOST COMMUNICATIONS

CFA633 communicates with its host using an RS-232 interface. The port settings are 19200 baud, 8 data bits, no parity, 1 stop bit by factory default. The speed can be set to 115200 baud under software control (see command [33 \(0x21\): Set Baud Rate \(Pg. 56\)](#)).



automatically re-synchronize to the next valid packet in the event of any communications errors. Please follow the algorithm in the sample code closely in order to realize the benefits of using the packet communications.

ABOUT HANDSHAKING

The nature of CFA633's packets makes it unnecessary to implement traditional hardware or software handshaking.

The host should wait for a corresponding acknowledge packet from the CFA633 before sending the next command packet. The CFA633 will respond to all packets within 250 mS. The host software should stop waiting and retry the packet if the CFA633 fails to respond within 250 mS. The host software should report an error if a packet is not acknowledged after several retries. This situation indicates a hardware problem — for example, a disconnected cable.

Please note that some operating systems may introduce delays between when the data arrives at the physical port from the CFA633 until it is available to the user program. In this case, the host program may have to increase its timeout window to account for the additional overhead of the operating system.

The CFA633 can be configured to send several types of report packets along with regular acknowledge packets. The host should be able to buffer several incoming packets and must guarantee that it can process and remove packets from its input buffer faster than the packets can arrive given the baud rate and the reporting configuration of the CFA633. For any modern PC using reasonably efficient software, this requirement will not pose a challenge.

The report packets are sent asynchronously with respect to the command packets received from the host. The host should not assume that the first packet received after it sends a command is the acknowledge packet for that command. The host should inspect the `type` field of incoming packets and process them accordingly.

REPORT CODES

The CFA633 can be configured to report three items. The CFA633 sends reports automatically when the data becomes available. Reports are not sent in response to a particular packet received from the host. The three report types are (1) 0x80: Key Activity, (2) 0x81: Fan Speed Report, and (3) 0x82: Temperature Sensor Report. Details are below.

0x80: Key Activity

If a key is pressed or released, the CFA633 sends a Key Activity report packet to the host. Key event reporting may be individually enabled or disabled by command [23 \(0x17\): Configure Key Reporting \(Pg. 48\)](#).

```
type = 0x80
data_length = 1
data[0] is the type of keyboard activity:
KEY_UP_PRESS           1
KEY_DOWN_PRESS        2
KEY_LEFT_PRESS        3
KEY_RIGHT_PRESS       4
KEY_ENTER_PRESS       5
KEY_EXIT_PRESS        6
KEY_UP_RELEASE        7
KEY_DOWN_RELEASE      8
KEY_LEFT_RELEASE      9
KEY_RIGHT_RELEASE     10
KEY_ENTER_RELEASE     11
KEY_EXIT_RELEASE      12
```



0x81: Fan Speed Report

If any of up to four fans connected to CFA633 is configured to report its speed information to the host, the CFA633 will send Fan Speed Reports for each selected fan every 1/2 second. See command [16 \(0x10\): Set Up Fan Reporting \(Pg. 43\)](#).

```
type = 0x81
data_length = 4
data[0] is the index of the fan being reported:
    0 = FAN 1
    1 = FAN 2
    2 = FAN 3
    3 = FAN 4
data[1] is number of fan tach_cycles
data[2] is the MSB of Fan Timer Ticks
data[3] is the LSB of Fan Timer Ticks
```

The following C function will decode the fan speed from a Fan Speed Report packet into RPM:

```
int OnReceivedFanReport(COMMAND_PACKET *packet, char * output)
{
    int
    return_value;
    return_value=0;

    int
    number_of_fan_tach_cycles;
    number_of_fan_tach_cycles=packet->data[1];

    if(number_of_fan_tach_cycles<3)
        sprintf(output," STOP");
    else if(number_of_fan_tach_cycles<4)
        sprintf(output," SLOW");
    else if(0xFF==number_of_fan_tach_cycles)
        sprintf(output," ----");
    else
    {
        //Specific to each fan, most commonly 2
        int
        pulses_per_revolution;
        pulses_per_revolution=2;

        int
        Fan_Timer_Ticks;
        Fan_Timer_Ticks=(*(unsigned short *)(&(packet->data[2])));

        return_value=((27692308L/pulses_per_revolution)*
            (unsigned long)(number_of_fan_tach_cycles-3))/
            (Fan_Timer_Ticks);
        sprintf(output,"%5d",return_value);
    }
    return(return_value);
}
```

0x82: Temperature Sensor Report

If any of the up to 32 temperature sensors is configured to report to the host, the CFA633 will send Temperature Sensor Reports for each selected sensor every second. See the command [19 \(0x13\): Set Up Temperature Reporting \(Pg. 46\)](#).



```

type = 0x82
data_length = 4
data[0] is the index of the temperature sensor being reported:
    0 = temperature sensor 1
    1 = temperature sensor 2
    . . .
    31 = temperature sensor 32
data[1] is the MSB of Temperature_Sensor_Counts
data[2] is the LSB of Temperature_Sensor_Counts
data[3] is DOW_crc_status
  
```

The following C function will decode the Temperature Sensor Report packet into °C and °F:

```

void OnReceivedTempReport(COMMAND_PACKET *packet, char *output)
{
  //First check the DOW CRC return code from the CFA633
  if(packet->data[3]==0)
    strcpy(output,"BAD CRC");
  else
  {
    double
      degc;
    degc=(*(short *)&(packet->data[1]))/16.0;

    double
      degf;
    degf=(degc*9.0)/5.0+32.0;

    sprintf(output,"%9.4f°C =%9.4f°F",
            degc,
            degf);
  }
}
  
```

COMMAND CODES

Below is a list of valid commands for the CFA633. Each command packet is answered by either a response packet or an error packet. The low 6 bits of the `type` field of the response or error packet is the same as the low 6 bits of the `type` field of the command packet being acknowledged.

0 (0x00): Ping Command

The CFA633 will return the Ping Command to the host.

```

type: 0x00 = 010
valid data_length is 0 to 16
data[0-(data_length-1)] can be filled with any arbitrary data
  
```

The return packet is identical to the packet sent, except the type will be 0x40 (normal response, Ping Command):

```

type: 0x40 | 0x00 = 0x40 = 6410
data_length = (identical to received packet)
data[0-(data_length-1)] = (identical to received packet)
  
```

1 (0x01): Get Hardware & Firmware Version

The CFA633 will return the hardware and firmware version information to the host.

```

type: 0x01 = 110
valid data_length is 0
  
```




The return packet will be:

```
type: 0x40 | 0x01 = 0x41 = 6510
data_length = 16
data[] = "CFA633:h#.#,y#v#"
```

X.X is the hardware revision, "h2.0" for example
Y.Y is the firmware version, "u2v1" for example

2 (0x02): Write User Flash Area

The CFA633 reserves 16 bytes of nonvolatile memory for arbitrary use by the host. This memory can be used to store a serial number, IP address, gateway address, netmask, or any other data required. All 16 bytes must be supplied.

```
type: 0x02 = 210
valid data_length is 16
data[] = 16 bytes of arbitrary user data to be stored in
         the CFA633's non-volatile memory
```

The return packet will be:

```
type: 0x40 | 0x02 = 0x42 = 6610
data_length = 0
```

3 (0x03): Read User Flash Area

This command will read the User Flash Area and return the data to the host.

```
type: 0x03 = 310
valid data_length is 0
```

The return packet will be:

```
type: 0x40 | 0x03 = 0x43 = 6710
data_length = 16
data[] = 16 bytes user data recalled from the CFA633's
         non-volatile memory
```

4 (0x04): Store Current State As Boot State

The CFA633 loads its power-up configuration from nonvolatile memory when power is applied. The CFA633 is configured at the factory to display a "welcome" screen when power is applied. This command can be used to customize the "welcome" screen, as well as the following items:

- Characters shown on LCD, which are affected by:
 - command [6 \(0x06\): Clear LCD Screen \(Pg. 40\)](#).
 - command [7 \(0x07\): Set LCD Contents, Line 1 \(Pg. 40\)](#).
 - command [8 \(0x08\): Set LCD Contents, Line 2 \(Pg. 41\)](#).
 - command [31 \(0x1F\): Send Data to LCD \(Pg. 56\)](#).
- Special character font definitions (command [9 \(0x09\): Set LCD Special Character Data \(Pg. 41\)](#)).
- Cursor position (command [11 \(0x0B\): Set LCD Cursor Position \(Pg. 42\)](#)).
- Cursor style (command [12 \(0x0C\): Set LCD Cursor Style \(Pg. 42\)](#)).
- Contrast setting (command [13 \(0x0D\): Set LCD Contrast \(Pg. 42\)](#)).
- Backlight setting (command [14 \(0x0E\): Set LCD & Keypad Backlight \(Pg. 43\)](#)).
- Fan power settings (command [17 \(0x11\): Set Fan Power \(Pg. 43\)](#)).
- Settings of any "live" displays (command [21 \(0x15\): Set Up Live Fan or Temperature Display \(Pg. 47\)](#)).
- Key press and release masks (command [23 \(0x17\): Configure Key Reporting \(Pg. 48\)](#)).
- Fan glitch delay settings (command [26 \(0x1A\): Set Fan Tachometer Glitch Filter \(Pg. 50\)](#)).



- ATX function enable and pulse length settings (command [28 \(0x1C\): Set ATX Power Switch Functionality \(Pg. 52\)](#)).
- Baud rate (command [33 \(0x21\): Set Baud Rate \(Pg. 56\)](#)).
- GPIO settings (command [34 \(0x22\): Set or Set and Configure GPIO Pins \(Pg. 56\)](#)).

You cannot store the fan or temperature reporting (although the live display of fans or temperatures can be saved). You cannot store the fan fail-safe or host watchdog. The host software should enable these items once the system is initialized and it is ready to receive the data.

```
type: 0x04 = 410  
valid data_length is 0
```

The return packet will be:

```
type: 0x40 | 0x04 = 0x44 = 6810  
data_length = 0
```

If the current state and the boot state do not match after saving, the module will return an error instead of an ACK. In this unlikely error case, the boot state will be undefined.

5 (0x05): Reboot CFA633, Reset Host, or Power Off Host

This command instructs the CFA633 to simulate a power-on restart of itself, reset the host, or turn the host's power off. The ability to reset the host may be useful to allow certain host operating system configuration changes to complete. The ability to turn the host's power off under software control may be useful in systems that do not have ACPI compatible BIOS.

NOTE

The GPIO pins used for ATX control must not be configured as user GPIO, and must be configured to their default drive mode in order for the ATX functions to work correctly. These settings are factory default, but may be changed by the user. Please see command [34 \(0x22\): Set or Set and Configure GPIO Pins \(Pg. 56\)](#).

Rebooting the CFA633 may be useful when testing the boot configuration. It may also be useful to re-enumerate the devices ([WR-DOW-Y17](#) temperature sensors) on the One-Wire bus. To reboot the CFA633, send the following packet:

```
type: 0x05 = 510  
valid data_length is 3  
data[0] = 8  
data[1] = 18  
data[2] = 99
```



NOTE

The reboot command may take up to 3 seconds to return its acknowledge packet.

At bootup, there is up to a 500ms (1/2 second) delay between turning on fans. By default, all four fans are set to "on" at 100%. If you are not using a fan, set power to 0% (command [17 \(0x11\): Set Fan Power](#)) and save this setting as the default boot state (command [4 \(0x04\): Store Current State As Boot State](#)). This will reduce the boot time.

If only one fan is on, there is no additional delay. If two fans are on, there is up to an additional 500ms delay. If three fans are on, there is a up to an additional 1,000ms delay. If all four fans are on, there is up to an additional 1,500ms delay.

# of Fans Powered On	Expected Boot Time
0 to 1	300ms - 500ms
2	800ms - 1,000ms
3	1.3s - 1.5s
4	1.8s - 2.0s

To reset the host, assuming the host's reset line is connected to GPIO[3] as described in command [28 \(0x1C\): Set ATX Power Switch Functionality \(Pg. 52\)](#), send the following packet:

```
type: 0x05 = 510  
valid data length is 3  
data[0] = 12  
data[1] = 28  
data[2] = 97
```

NOTE

The CFA633 will return the acknowledge packet immediately, then reset the host. After resetting the host (~1.5 seconds), the module will reboot itself. The module will not respond to new command packets for up to 3 seconds (~4.5 seconds overall) after its reboot. Part of this delay is the intentional staggered sequencing of turning on power to the fans. If you are not using fans, you can speed the boot process by setting the fan power to 0 (command [17 \(0x11\): Set Fan Power](#) and saving this as the default boot state (command [4 \(0x04\): Store Current State As Boot State](#)). Normally, the host will be recovering from its own reset, so the boot delay of the module will not be of consequence.

To turn the host's power off, assuming the host's power control line is connected to GPIO[2] as described in command [28 \(0x1C\): Set ATX Power Switch Functionality \(Pg. 52\)](#), send the following packet:

```
type: 0x05 = 510  
valid data length is 3  
data[0] = 3  
data[1] = 11  
data[2] = 95
```



NOTE

The CFA633 will return the acknowledge packet immediately, then power cycle the host. The power cycle length is dependent on the length of the power pulse (command [28 \(0x1C\): Set ATX Power Switch Functionality](#)). After power cycling the host, the module will reboot itself. The module will not respond to new command packets for up to 3 seconds after its reboot. Part of this delay is the intentional staggered sequencing of turning on power to the fans. If you are not using fans, you can speed the boot process by setting the fan power to 0 (command [17 \(0x11\): Set Fan Power](#) and saving this as the default boot state (command [4 \(0x04\): Store Current State As Boot State](#)). Normally the host will be off or recovering from its own power cycle, so the boot delay of the module will not be of consequence.

In any of the above cases, the return packet will be:

```
type: 0x40 | 0x05 = 0x45 = 6910  
data_length = 0
```

6 (0x06): Clear LCD Screen

Sets the contents of the LCD screen DDRAM to ' ' = 0x20 = 32 and moves the cursor to the left-most column of the top line.

```
type: 0x06 = 610  
valid data_length is 0
```

The return packet will be:

```
type: 0x40 | 0x06 = 0x46 = 7010  
data_length = 0
```

Clear LCD Screen changes the LCD. The LCD contents is one of the items stored by the command [4 \(0x04\): Store Current State As Boot State \(Pg. 37\)](#).

7 (0x07): Set LCD Contents, Line 1

Sets the center 16 characters displayed for the top line of LCD screen.

NOTE

Please use this command only if you need backwards compatibility with older CFA633 units. For new applications, please use the more flexible command [31 \(0x1F\): Send Data to LCD \(Pg. 56\)](#).

```
type: 0x7 = 710  
valid data_length is 16  
data[] = top line's display content (must supply 16 bytes)
```

The return packet will be:

```
type: 0x40 | 0x07 = 0x47 = 7110  
data_length = 0
```

Set LCD Contents, Line 1 is one of the items stored by the command [4 \(0x04\): Store Current State As Boot State \(Pg. 37\)](#).



8 (0x08): Set LCD Contents, Line 2

Sets the center 16 characters displayed for the bottom line of LCD screen.

NOTE

Please use this command only if you need backwards compatibility with older CFA633 units. For new applications, please use the more flexible command [31 \(0x1F\): Send Data to LCD \(Pg. 56\)](#).

```
type: 0x8 = 810
valid data_length is 16
data[] = bottom line's display content (must supply 16 bytes)
```

The return packet will be:

```
type: 0x40 | 0x08 = 0x48 = 7210
data_length = 0
```

Set LCD Contents, Line 2 is one of the items stored by the command [4 \(0x04\): Store Current State As Boot State \(Pg. 37\)](#).

9 (0x09): Set LCD Special Character Data

Sets the font definition for one of the special characters (CGRAM).

```
type: 0x09 = 910
valid data_length is 9
data[0] = index of special character that you would like to modify, 0-7 are valid
data[1-8] = bitmap of the new font for this character
```

data [1-8] are the bitmap information for this character. Any value is valid between 0 and 63, the msb is at the left of the character cell of the row, and the lsb is at the right of the character cell.

data [1] is at the top of the cell.
data [8] is at the bottom of the cell.

The return packet will be:

```
type: 0x40 | 0x09 = 0x49 = 7310
data_length = 0
```

Set LCD Special Character Data is one of the items stored by the command [4 \(0x04\): Store Current State As Boot State \(Pg. 37\)](#).

10 (0x0A): Read 8 Bytes of LCD Memory

This command will return the contents of the LCD's DDRAM or CGRAM. This command is intended for debugging.

Note: firmware version prior to v1.9 did not return the address code.

```
type: 0x0A = 1010
valid data_length is 1
data[0] = address code of desired data
```

data [0] is the address code native to the LCD controller:

```
0x40 (\064) to 0x7F (\127) for CGRAM
0x80 (\128) to 0x93 (\143) for DDRAM, line 1
0xC0 (\192) to 0xD3 (\207) for DDRAM, line 2
```



The return packet will be:

```
type: 0x40 | 0x0A = 0x4A = 7410  
data_length = 9
```

data [0] of the return packet will be the address code.
data [1-8] of the return packet will be the data read from the LCD controller's memory.

11 (0x0B): Set LCD Cursor Position

This command allows the cursor to be placed at the desired location on the CFA633's LCD screen. If you want the cursor to be visible, you may also need to send a command [12 \(0x0C\): Set LCD Cursor Style \(Pg. 42\)](#).

```
type: 0x0B = 1110  
valid data_length is 2  
data[0] = column (0-15 valid)  
data[1] = row (0-1 valid)
```

The return packet will be:

```
type: 0x40 | 0x0B = 0x4B = 7510  
data_length = 0
```

Set LCD Cursor Position is one of the items stored by the command [4 \(0x04\): Store Current State As Boot State \(Pg. 37\)](#).

12 (0x0C): Set LCD Cursor Style

This command allows you to select among four hardware generated cursor options.

```
type: 0x0C = 1210  
valid data_length is 1  
data[0] = cursor style (0-3 valid)  
0 = no cursor.  
1 = blinking block cursor.  
2 = static underscore cursor.  
3 = blinking underscore cursor.  
(Note for 3: This behavior is different from the previous CFA633 HW v1.x family  
which had a blinking block with a static underscore cursor.)
```

The return packet will be:

```
type: 0x40 | 0x0C = 0x4C = 7610  
data_length = 0
```

Set LCD Cursor Style is one of the items stored by the command [4 \(0x04\): Store Current State As Boot State \(Pg. 37\)](#).

13 (0x0D): Set LCD Contrast

This command sets the contrast or vertical viewing angle of the display. Initiated by the host, responded to by the CFA633.

```
type: 0x0D = 1310  
valid data_length is 1  
data[0] = contrast setting (0-50 valid)  
0 = light (Vlcd=4v)  
16 = about right (Vlcd=5v)  
29 = dark (Vlcd=6v)  
30-50 = very dark (Vlcd=6.0 to 6.7v)  
(may be useful at cold temperatures)
```




```
type = 0x11 = 1710
valid data_length is 4
data[0] = power level for FAN 1 (0-100 valid)
data[1] = power level for FAN 2 (0-100 valid)
data[2] = power level for FAN 3 (0-100 valid)
data[3] = power level for FAN 4 (0-100 valid)
```

The return packet will be:

```
type = 0x40 | 0x11 = 0x51 = 8110
data_length = 0
```

Set Fan Power is one of the items stored by the command [4 \(0x04\): Store Current State As Boot State \(Pg. 37\)](#).



18 (0x12): Read DOW Device Information

When power is applied to the CFA633, it detects any devices ([WR-DOW-Y17](#) temperature sensors) connected to the Dallas Semiconductor One-Wire (DOW) bus and stores the device's information. This command will allow the host to read the device's information.

The first byte returned is the Family Code of the Dallas One-Wire / iButton device. There is a list of the possible Dallas One-Wire / iButton device family codes available in [App Note 155: 1-Wire Software Resource Guide](#) on the Maxim/Dallas website.

NOTE ON COMMAND 18: READ DOW DEVICE INFORMATION

The GPIO pin used for DOW must not be configured as user GPIO. It must be configured to its default drive mode in order for the DOW functions to work correctly.

These settings are factory default but may be changed by the user. Please see command [34 \(0x22\): Set or Set and Configure GPIO Pins \(Pg. 56\)](#).

In order for the DOW subsystem to be enabled and operate correctly, user GPIO[4] must be configured as:

```
DDD = "111: 1=Hi-Z, 0=Slow, Strong Drive Down".  
F = "0: Port unused for user GPIO."
```

This state is the factory default, but it can be changed and saved by the user. To ensure that GPIO[4] is set correctly and the DOW operation is enabled, send the following command:

```
command = 34  
length = 3  
data[0] = 4  
data[1] = 100  
data[2] = 7
```

This setting must be saved as the boot state, so when the CFA633 reboots it will detect the DOW devices.

```
type: 0x12 = 1810  
valid data length is 1  
data[0] = device index (0-31 valid)
```

The return packet will be:

```
type: 0x40 | 0x12 = 0x52 = 8210  
data length = 9  
data[0] = device index (0-31 valid)  
data[1-8] = ROM ID of the device
```

If data[1] is 0x22 ([DS1822](#) Econo One-Wire Digital Thermometer temperature sensor) or 0x28 ([DS18B20](#) High Precision One-Wire Digital Thermometer temperature sensor used on our [WR-DOW-Y17](#)), then that device can be set up to automatically convert and report the temperature every second. See the command [19 \(0x13\): Set Up Temperature Reporting \(Pg. 46\)](#).



19 (0x13): Set Up Temperature Reporting

This command will configure the CFA633 to report the temperature information to the host every second.

```
type: 0x13 = 1910
valid data length is 4
data[0-3] = 32-bit bitmask indicating which temperature
            sensors fans are enabled to report (0-255 valid in each location)
```

```
data[0]
08 07 06 05 04 03 02 01 Enable Reporting of sensor with
| | | | | | | | device index of:
| | | | | | | | -- 0: 1 = enable, 0 = disable
| | | | | | | | --- 1: 1 = enable, 0 = disable
| | | | | | | | ---- 2: 1 = enable, 0 = disable
| | | | | | | | ----- 3: 1 = enable, 0 = disable
| | | | | | | | ----- 4: 1 = enable, 0 = disable
| | | | | | | | ----- 5: 1 = enable, 0 = disable
| | | | | | | | ----- 6: 1 = enable, 0 = disable
| | | | | | | | ----- 7: 1 = enable, 0 = disable
```

```
data[1]
16 15 14 13 12 11 10 09 Enable Reporting of sensor with
| | | | | | | | device index of:
| | | | | | | | -- 8: 1 = enable, 0 = disable
| | | | | | | | --- 9: 1 = enable, 0 = disable
| | | | | | | | ---- 10: 1 = enable, 0 = disable
| | | | | | | | ----- 11: 1 = enable, 0 = disable
| | | | | | | | ----- 12: 1 = enable, 0 = disable
| | | | | | | | ----- 13: 1 = enable, 0 = disable
| | | | | | | | ----- 14: 1 = enable, 0 = disable
| | | | | | | | ----- 15: 1 = enable, 0 = disable
```

```
data[2]
24 23 22 21 20 19 18 17 Enable Reporting of sensor with
| | | | | | | | device index of:
| | | | | | | | -- 16: 1 = enable, 0 = disable
| | | | | | | | --- 17: 1 = enable, 0 = disable
| | | | | | | | ---- 18: 1 = enable, 0 = disable
| | | | | | | | ----- 19: 1 = enable, 0 = disable
| | | | | | | | ----- 20: 1 = enable, 0 = disable
| | | | | | | | ----- 21: 1 = enable, 0 = disable
| | | | | | | | ----- 22: 1 = enable, 0 = disable
| | | | | | | | ----- 23: 1 = enable, 0 = disable
```

```
data[3]
32 31 30 29 28 27 26 25 Enable Reporting of sensor with
| | | | | | | | device index of:
| | | | | | | | -- 24: 1 = enable, 0 = disable
| | | | | | | | --- 25: 1 = enable, 0 = disable
| | | | | | | | ---- 26: 1 = enable, 0 = disable
| | | | | | | | ----- 27: 1 = enable, 0 = disable
| | | | | | | | ----- 28: 1 = enable, 0 = disable
| | | | | | | | ----- 29: 1 = enable, 0 = disables
| | | | | | | | ----- 30: 1 = enable, 0 = disable
| | | | | | | | ----- 31: 1 = enable, 0 = disable
```

Any sensor enabled must have been detected as a 0x22 (DS1822 temperature sensor) or 0x28 (DS18B20 temperature sensor) during DOW enumeration. This can be verified by using the command [18 \(0x12\): Read DOW Device Information \(Pg. 45\)](#).

The return packet will be:

```
type: 0x40 | 0x13 = 0x53 = 8310
data_length = 0
```



20 (0x14): Arbitrary DOW Transaction

The CFA633 can function as an RS-232 to Dallas One-Wire bridge. This command allows you to specify arbitrary transactions on the One-Wire bus. One-Wire commands follow this basic layout:

```
<bus reset           //Required
<address_phase>     //Must be "Match ROM" or "Skip ROM"
<write_phase>       //optional, but at least one of write_phase or read_phase must be sent
<read_phase>        //optional, but at least one of write_phase or read_phase must be sent
```

Please see [APPENDIX A: CONNECTING A DS2450 1-WIRE QUAD A/D CONVERTER \(Pg. 64\)](#) for an example of using this command.

```
type: 0x14 = 2010
valid data_length is 2 to 16
data[0] = device_index (0-32 valid)
data[1] = number_of_bytes_to_read (0-14 valid)
data[2-15] = data_to_be_written[data_length-2]
```

If `device_index` is 32, then no address phase will be executed. If `device_index` is in the range of 0 to 31, and a One-Wire device was detected for that `device_index` at power on, then the write cycle will be prefixed with a "Match ROM" command and the address information for that device.

If `data_length` is two, then no specific write phase will be executed (although address information may be written independently of `data_length` depending on the value of `device_index`).

If `data_length` is greater than two, then `data_length-2` bytes of `data_to_be_written` will be written to the One-Wire bus immediately after the address phase.

If `number_of_bytes_to_read` is zero, then no read phase will be executed. If `number_of_bytes_to_read` is not zero then `number_of_bytes_to_read` will be read from the bus and loaded into the response packet.

The return packet will be:

```
type: 0x40 | 0x14 = 0x54 = 8410
data_length = 2 to 16
data[0] = device_index (0-31 valid)
data[data_length-2] = Data read from the One-Wire bus. This is the same
                    as number_of_bytes_to_read from the command.
data[data_length-1] = One-Wire CRC
```

21 (0x15): Set Up Live Fan or Temperature Display

You can configure the CFA633 to automatically update a portion of the LCD with a "live" RPM or temperature reading. Once the display is configured using this command, the CFA633 will continue to display the live reading on the LCD without host intervention. The Set Up Live Fan or Temperature Display is one of the items stored by command [4 \(0x04\): Store Current State As Boot State \(Pg. 37\)](#), so you can configure the CFA633 to immediately display fan speeds or system temperatures as soon as power is applied.

The live display is based on a concept of display slots. There are 8 slots, and each of the 8 slots may be enabled or disabled independently.

Any slot may be requested to display any data that is available. For instance, slot 0 could display temperature sensor 3 in °C, while slot 1 could simultaneously display temperature sensor 3 in °F.

Any slot may be positioned at any location on the LCD, as long as all the digits of that slot fall fully within the display area. It is legal to have the display area of one slot overlap the display area of another slot, but senseless. This situation should be avoided in order to have meaningful information displayed.



```
type: 0x15 = 2110
valid data length is 7 or 2 (for turning a slot off)
data[0]: display slot (0-7)
data[1]: type of item to display in this slot
         0 = nothing (data_length then must be 2)
         1 = fan tachometer RPM (data_length then must be 7)
         2 = temperature (data_length then must be 7)
data[2]: index of the sensor to display in this slot:
         0-3 are valid for fans
         0-31 are valid for temperatures (and the temperature
         device must be attached)
data[3]: number of digits
         for a fan: 4 digits (0 to 9999) valid fan speed range
         for a fan: 5 digits (0 to 50000) valid fan speed range
         for a temperature: 3 digits ( -XX or XXX)
         for a temperature: 5 digits (-XX.X or XXX.X)
data[4]: display column
         0-13 valid for a 3-digit temperature
         0-12 valid for a 4-digit fan
         0-11 valid for a 5-digit fan or temperature
data[5]: display row (0-1 valid)
data[6]: pulses_per_revolution or temperature units
         for a fan: pulses per revolution for this fan (1 to 32)
         for a temperature: units (0 = deg C, 1 = deg F)
```

If a One-Wire CRC error is detected, the temperature will be displayed as "ERR" or "ERROR".

If the frequency of the tachometer signal is below the detectable range, the speed will be displayed as "SLOW" or "STOP".

Displaying a fan will override the fan power setting to 100% for up to 1/8 of a second every 1/2 second. Please see [Fan Connections \(Pg. 29\)](#) for a detailed description.

The return packet will be:

```
type: 0x40 | 0x15 = 0x55 = 8510
data_length = 0
```

22 (0x16): Send Command Directly to the LCD Controller

The controller on the CFA633 is HD44780 compatible. Generally you won't need low-level access to the LCD controller but some arcane functions of the HD44780 are not exposed by the CFA633's command set. This command allows you to access the CFA633's LCD controller directly. Note: It is possible to corrupt the CFA633 display using this command.

```
type: 0x16 = 2210
data_length: 2
data[0]: location code
         0 = "Data" register
         1 = "Control" register
data[1]: data to write to the selected register
```

The return packet will be:

```
type: 0x40 | 0x16 = 0x56 = 8610
data_length = 0
```

23 (0x17): Configure Key Reporting

By default, the CFA633 reports any key event to the host. This command allows the key events to be enabled or disabled on an individual basis. The key events set to report are one of the items stored by the command [4 \(0x04\): Store Current State As Boot State \(Pg. 37\)](#).



```
#define KP_UP      0x01
#define KP_ENTER  0x02
#define KP_CANCEL 0x04
#define KP_LEFT   0x08
#define KP_RIGHT  0x10
#define KP_DOWN   0x20
```

```
type: 0x17 = 2310
data_length = 2
data[0]: press mask
data[1]: release mask
```

The return packet will be:

```
type: 0x40 | 0x17 = 0x57 = 8710
data_length = 0
```

Configure Key Reporting is one of the items stored by the command [4 \(0x04\): Store Current State As Boot State \(Pg. 37\)](#).

24 (0x18): Read Keypad, Polled Mode

In some situations, it may be convenient for the host to poll the CFA633 for key activity. This command allows the host to detect which keys are currently pressed, which keys have been pressed since the last poll, and which keys have been released since the last poll.

This command is independent of the key reporting masks set by command [23 \(0x17\): Configure Key Reporting \(Pg. 48\)](#). All keys are always visible to this command. Typically both masks of command 23 would be set to "0" if the host is reading the keypad in polled mode.

```
#define KP_UP      0x01
#define KP_ENTER  0x02
#define KP_CANCEL 0x04
#define KP_LEFT   0x08
#define KP_RIGHT  0x10
#define KP_DOWN   0x20
```

```
type: 0x18 = 2410
data_length = 0
```

The return packet will be:

```
type: 0x40 | 0x18 = 0x58 = 8810
data_length = 3
data[0] = bit mask showing the keys currently pressed
data[1] = bit mask showing the keys that have been pressed since
         the last poll
data[2] = bit mask showing the keys that have been released since
         the last poll
```

25 (0x19): Set Fan Power Fail-Safe

The CFA633 can be used as part of an active cooling system. For instance, the fans in a system can be slowed down to reduce noise when a system is idle or when the ambient temperature is low, and sped up when the system is under heavy load or the ambient temperature is high.

Since there are a very large number of ways to control the speed of the fans (thresholds, thermostat, proportional, PID, multiple temperature sensors contributing to the speed of several fans . . .) there was no way to foresee the particular requirements of your system and include an algorithm in the CFA633's firmware that would be an optimal fit for your application.



Varying fan speeds under host software control gives the ultimate flexibility in system design but would typically have a fatal flaw: a host software or hardware failure could cause the cooling system to fail. If the fans were set at a slow speed when the host software failed, system components may be damaged due to inadequate cooling.

The fan power fail-safe command allows host control of the fans without compromising safety. When the fan control software activates, it should set the fans that are under its control to fail-safe mode with an appropriate timeout value. If for any reason the host fails to update the power of the fans before the timeout expires, the fans previously set to fail-safe mode will be forced to 100% power.

```
#define FAN_1      0x01
#define FAN_2      0x02
#define FAN_3      0x04
#define FAN_4      0x08

type = 0x19 = 2510
data_length = 2
data[0] = bit mask of fans set to fail-safe (1-15 valid)
data[1] = timeout value in 1/8 second ticks:
    1 = 1/8 second
    2 = 1/4 second
    255 = 31 7/8 seconds
```

The return packet will be:

```
type = 0x40 | 0x19 = 0x59 = 8910
data_length = 0
```

26 (0x1A): Set Fan Tachometer Glitch Filter

The CFA633 controls fan speed by using PWM. Using PWM turns the power to a fan on and off quickly to change the average power delivered to the fan. The CFA633 uses approximately 18 Hz for the PWM repetition rate. The fan's tachometer output is only valid if power is applied to the fan. Most fans produce a valid tachometer output very quickly after the fan has been turned back on but some fans take time after being turned on before their tachometer output is valid.

This command allows you to set a variable-length delay after the fan has been turned on before the CFA633 will recognize transitions on the tachometer line. The delay is specified in counts, each count being nominally 552.5 μ S long (1/100 of one period of the 18 Hz PWM repetition rate).

In practice, most fans will not need the delay to be changed from the default length of 1 count. If a fan's tachometer output is not stable when its PWM setting is other than 100%, simply increase the delay until the reading is stable. Typically you would (1) start at a delay count of 50 or 100, (2) reduce it until the problem reappears, and then (3) slightly increase the delay count to give it some margin.

Setting the glitch delay to higher values will make the RPM monitoring slightly more intrusive at low power settings. Also, the higher values will increase the lowest speed that a fan with RPM reporting enabled will seek at 0% power setting.

The Fan Glitch Delay is one of the items stored by the command [4 \(0x04\): Store Current State As Boot State \(Pg. 37\)](#).

```
type = 0x1A = 2610
data_length = 4
data[0] = delay count of fan 1
data[1] = delay count of fan 2
data[2] = delay count of fan 3
data[3] = delay count of fan 4
```

The return packet will be:

```
type = 0x40 | 0x1A = 0x5A = 9010
data_length = 0
```



27 (0x1B): Query Fan Power & Fail-Safe Mask

This command can be used to verify the current fan power and verify which fans are set to fail-safe mode.

```
#define FAN_1      0x01  
#define FAN_2      0x02  
#define FAN_3      0x04  
#define FAN_4      0x08
```

```
type = 0x1B = 2710  
data_length = 0
```

The return packet will be:

```
type = 0x40 | 0x1B = 0x5B = 9110  
data_length = 5  
data[0] = fan 1 power  
data[1] = fan 2 power  
data[2] = fan 3 power  
data[3] = fan 4 power  
data[4] = bit mask of fans with fail-safe set
```



28 (0x1C): Set ATX Power Switch Functionality

The combination of the CFA633 with the Crystalfontz [WR-PWR-Y14](#) cable can be used to replace the function of the power and reset switches in a standard ATX-compatible system. The ATX Power Switch Functionality is one of the items stored by the command [4 \(0x04\): Store Current State As Boot State \(Pg. 37\)](#).

NOTE ON COMMAND 28: SET ATX SWITCH FUNCTIONALITY

The GPIO pins used for ATX control must not be configured as user GPIO. The pins must be configured to their default drive mode in order for the ATX functions to work correctly.

These settings are factory default but may be changed by the user. Please see command [34 \(0x22\): Set or Set and Configure GPIO Pins \(Pg. 56\)](#). These settings must be saved as the boot state.

To ensure that GPIO[1] will operate correctly as ATX SENSE, user GPIO[1] must be configured as:

```
DDD = "011: 1=Resistive Pull Up, 0=Fast, Strong Drive Down".  
F = "0: Port unused for user GPIO."
```

This configuration can be assured by sending the following command:

```
command = 34  
length = 3  
data[0] = 1  
data[1] = 0  
data[2] = 3
```

To ensure that GPIO[2] will operate correctly as ATX POWER, user GPIO[2] must be configured as:

```
DDD = "010: Hi-Z, use for input".  
F = "0: Port unused for user GPIO."
```

This configuration can be assured by sending the following command:

```
command = 34  
length = 3  
data[0] = 2  
data[1] = 0  
data[2] = 2
```

To ensure that GPIO[3] will operate correctly as ATX RESET, user GPIO[3] must be configured as:

```
DDD = "010: Hi-Z, use for input".  
F = "0: Port unused for user GPIO."
```

This configuration can be assured by sending the following command:

```
command = 34  
length = 3  
data[0] = 3  
data[1] = 0  
data[2] = 2
```

These settings must be saved as the boot state.

The RESET (GPIO[3]) and POWER CONTROL (GPIO[2]) lines on the CFA633 are normally high-impedance. Electrically, they appear to be disconnected or floating. When the CFA633 asserts the RESET or POWER CONTROL lines, they are momentarily driven high or low (as determined by the AUTO_POLARITY, RESET_INVERT or POWER_INVERT bits, detailed below). To end the power or reset pulse, the CFA633 changes the lines back to high-impedance.



FOUR FUNCTIONS MAY BE ENABLED BY COMMAND 28

Function 1: KEYPAD_RESET

If POWER-ON SENSE (GPIO[1]) is high, holding the green check key for 4 seconds will pulse RESET (GPIO[3]) pin for 1 second. During the 1-second pulse, the CFA633 will show "RESET", and then the CFA633 will reset itself, showing its boot state as if it had just powered on. Once the pulse has finished, the CFA633 will not respond to any commands until after it has reset the host and itself.

Function 2: KEYPAD_POWER_ON

If POWER-ON SENSE (GPIO[1]) is low, pressing the green check key for 0.25 seconds will pulse POWER CONTROL (GPIO[2]) for the duration specified by in data[1] or the default of 1 second. During this time the CFA633 will show "POWER ON", then the CFA633 will reset itself.

Function 3: KEYPAD_POWER_OFF

If POWER-ON SENSE (GPIO[1]) is high, holding the red X key for 4 seconds will pulse POWER CONTROL (GPIO[2]) for the duration specified by in data[1] or the default of 1 second. If the user continues to hold the power key down, then the CFA633 will continue to drive the line for a maximum of 5 additional seconds. During this time the CFA633 will show "POWER OFF".

Function 4: LCD_OFF_IF_HOST_IS_OFF

If LCD_OFF_IF_HOST_IS_OFF is set, the CFA633 will blank its screen and turn off its backlight to simulate its power being off any time POWER-ON SENSE is low.

NOTE

By default there is an internal POWER-ON-SENSE connected to the +5v pin of J_PWR, selected by setting data[2] to 1. Alternatively, GPIO[1] may be configured to act as POWER-ON-SENSE through R21 of 5K, and specifying data[2] as 0. The CFA633 will still be active (since it is powered by V_{SB} , standby power which is always-on), monitoring the keypad for a power-on keystroke. Once POWER-ON SENSE goes high, the CFA633 will reboot as if power had just been applied to it.



```
#define AUTO_POLARITY          0x01 //Automatically detects polarity for reset and
                                //power (recommended)
#define RESET_INVERT          0x02 //Reset pin drives high instead of low
#define POWER_INVERT          0x04 //Power pin drives high instead of low
#define LCD_OFF_IF_HOST_IS_OFF 0x10
#define KEYPAD_RESET          0x20
#define KEYPAD_POWER_ON       0x40
#define KEYPAD_POWER_OFF      0x80
```

```
type: 0x1C = 2810
data_length: 1 or 2
data[0]: bit mask of enabled functions
data[1]: (optional) length of power on & off pulses in 1/32 second
        1 = 1/32 sec
        2 = 1/16 sec
        16 = 1/2 sec
        254 = 7.9 seconds
        255 = Assert power control line until host power state changes
```

The return packet will be:

```
type: 0x40 | 0x1C = 0x5C = 9210
data_length: 0
```



29 (0x1D): Enable/Disable and Reset the Watchdog

Some high-availability systems use hardware watchdog timers to ensure that a software or hardware failure does not result in an extended system outage. Once the host system has booted, a system monitor program is started. The system monitor program would enable the watchdog timer on the CFA633. If the system monitor program fails to reset the CFA633's watchdog timer, the CFA633 will reset the host system.

NOTE

The GPIO pins used for ATX control must not be configured as user GPIO. They must be configured to their default drive mode in order for the ATX functions to work correctly. These settings are factory default, but may be changed by the user. Please see the note under command [28 \(0x1C\): Set ATX Power Switch Functionality \(Pg. 52\)](#) or command [34 \(0x22\): Set or Set and Configure GPIO Pins \(Pg. 56\)](#).

```
type: 0x1D = 2910  
data_length = 1  
data[0] = enable/timeout
```

If timeout is 0, the watchdog is disabled.

If timeout is 1-255, then this command must be issued again within timeout seconds to avoid a watchdog reset.

To turn the watchdog off once it has been enabled, simply set timeout to 0.

If the command is not re-issued within timeout seconds, then the CFA633 will reset the host (see command 28 for details). Since the watchdog is off by default when the CFA633 powers up, the CFA633 will not issue another host reset until the host has once again enabled the watchdog.

The return packet will be:

```
type: 0x40 | 0x1D = 0x5D = 9310  
data_length = 0
```

30: Read Reporting & Status

This command can be used to verify the current items configured to report to the host, as well as some other miscellaneous status information. Please note that the information returned by other modules is not identical to this.

```
type = 0x1E = 3010  
data_length = 0
```

The return packet will be:

```
type = 0x40 | 0x1E = 0x5E = 9410  
data_length = 15  
data[0] = fan 1-4 reporting status (as set by command 16)  
data[1] = temperatures 1-8 reporting status (as set by command 19)  
data[2] = temperatures 9-15 reporting status (as set by command 19)  
data[3] = temperatures 16-23 reporting status (as set by command 19)  
data[4] = temperatures 24-32 reporting status (as set by command 19)  
data[5] = key presses (as set by command 23)  
data[6] = key releases (as set by command 23)  
data[7] = ATX Power Switch Functionality (as set by command 28),  
data[8] = current watchdog counter (as set by command 29)  
data[9] = fan RPM glitch delay[0] (as set by command 26)  
data[10] = fan RPM glitch delay[1] (as set by command 26)  
data[11] = fan RPM glitch delay[2] (as set by command 26)  
data[12] = fan RPM glitch delay[3] (as set by command 26)  
data[13] = contrast setting (as set by command 13)  
data[14] = backlight setting (as set by command 14)
```



Please Note: Previous and future firmware versions may return fewer or additional bytes.

31 (0x1F): Send Data to LCD

This command allows data to be placed at any position on the LCD.

```
type: 0x1F = 3110
data_length = 3 to 18
data[0]: col = x = 0 to 15
data[1]: row = y = 0 to 1
data[2-21]: text to place on the LCD, variable from 1 to 16 characters
```

The return packet will be:

```
type: 0x40 | 0x1F = 0x5F = 9510
data_length = 0
```

Send Data to LCD is one of the items stored by the command [4 \(0x04\): Store Current State As Boot State \(Pg. 37\)](#).

32: Reserved for CFA631 Key Legends

33 (0x21): Set Baud Rate

This command will change the CFA633's baud rate. The CFA633 will send the acknowledge packet for this command and change its baud rate to the new value. The host should send the baud rate command, wait for a positive acknowledge from the CFA633 at the old baud rate, and then switch itself to the new baud rate. The baud rate must be saved by the command [4 \(0x04\): Store Current State As Boot State \(Pg. 37\)](#) if you want the CFA633 to power up at the new baud rate.

The factory default baud rate is 19200.

```
type: 0x21 = 3310
data_length = 0
data[0]: 0 = 19200 baud
         1 = 115200 baud
```

The return packet will be:

```
type: 0x40 | 0x21 = 0x61 = 9710
data_length = 0
```

34 (0x22): Set or Set and Configure GPIO Pins

The CFA633 (hardware versions v1.4 and up, firmware versions 1.9 and up) has five pins for user-definable general purpose input / output (GPIO). These pins are shared with the DOW and ATX functions. Be careful when you configure the GPIO if you want to use the ATX or DOW at the same time.

The architecture of the CFA633 allows great flexibility in the configuration of the GPIO pins. They can be set as input or output. They can output constant high or low signals or a variable duty cycle 100 Hz PWM signal.

In output mode using the PWM (and a suitable current limiting resistor), an LED may be turned on or off and even dimmed under host software control. With suitable external circuitry, the GPIOs can also be used to drive external logic or power transistors.

The CFA633 continuously polls the GPIOs as inputs at 32 Hz. The present level can be queried by the host software at a lower rate. The CFA633 also keeps track of whether there were rising or falling edges since the last host query (subject



to the resolution of the 32 Hz sampling). This means that the host is not forced to poll quickly in order to detect short events. The algorithm used by the CFA633 to read the inputs is inherently "bounce-free".

The GPIOs also have "pull-up" and "pull-down" modes. These modes can be useful when using the GPIO as an input connected to a switch since no external pull-up or pull-down resistor is needed. For instance, the GPIO can be set to pull up. Then when a switch connected between the GPIO and ground is open, reading the GPIO will return a "1". When the switch is closed, the input will return a "0".

Pull-up/pull-down resistance values are approximately 5k Ω . Do not exceed current of 25 mA per GPIO.

NOTE ON SETTING AND CONFIGURING GPIO PINS

The GPIO pins may also be used for ATX control through header J8 and temperature sensing through the CFA633's DOW header. By factory default, the GPIO output setting, function, and drive mode are set correctly to enable operation of the ATX and DOW functions. **The GPIO output setting, function, and drive mode must be set to the correct values in order for the ATX and DOW functions to work. Improper use of this command can disable the ATX and DOW functions.** The [633_WinTest](#) may be used to easily check and reset the GPIO configuration to the default state so the ATX and DOW functions will work.

The GPIO configuration is one of the items stored by the command [4 \(0x04\): Store Current State As Boot State \(Pg. 37\)](#).

```
type: 0x22 = 3410
data_length:
  2 bytes to change value only
  3 bytes to change value and configure function and drive mode

data[0]: index of GPIO to modify
  0 = GPIO[0] = J8, Pin 7
  1 = GPIO[1] = J8, Pin 6 (default is ATX Host Power Sense)
  2 = GPIO[2] = J8, Pin 5 (default is ATX Host Power Control)
  3 = GPIO[3] = J8, Pin 4 (default is ATX Host Reset Control)
  4 = GPIO[4] = J9, Pin 2 (default is DOW I/O--always has 1k $\Omega$  hardware pull-up)
  5-255 = reserved
```

Please note: Future versions of this command on future hardware models may accept additional values for data[0], which would control the state of future additional GPIO pins

(Continues on the next page.)



CHARACTER GENERATOR ROM (CGROM)

To find the code for a given character, add the two numbers that are shown in bold for its row and column. For example, the Greek letter "β" is in the column labeled "224_d" and in the row labeled "2_d". Add 224 + 2 to get 226. When you send a byte with the value of 226 to the display, the Greek letter "β" will be shown.

upper 4 bits lower 4 bits	0 _d 0000 ₂	16 _d 0001 ₂	32 _d 0010 ₂	48 _d 0011 ₂	64 _d 0100 ₂	80 _d 0101 ₂	96 _d 0110 ₂	112 _d 0111 ₂	128 _d 1000 ₂	144 _d 1001 ₂	160 _d 1010 ₂	176 _d 1011 ₂	192 _d 1100 ₂	208 _d 1101 ₂	224 _d 1110 ₂	240 _d 1111 ₂
0_d 0000 ₂	CGRAM [0]															
1_d 0001 ₂	CGRAM [1]															
2_d 0010 ₂	CGRAM [2]															
3_d 0011 ₂	CGRAM [3]															
4_d 0100 ₂	CGRAM [4]															
5_d 0101 ₂	CGRAM [5]															
6_d 0110 ₂	CGRAM [6]															
7_d 0111 ₂	CGRAM [7]															
8_d 1000 ₂	CGRAM [0]															
9_d 1001 ₂	CGRAM [1]															
10_d 1010 ₂	CGRAM [2]															
11_d 1011 ₂	CGRAM [3]															
12_d 1100 ₂	CGRAM [4]															
13_d 1101 ₂	CGRAM [5]															
14_d 1110 ₂	CGRAM [6]															
15_d 1111 ₂	CGRAM [7]															

Figure 14. Character Generated ROM



LCD MODULE RELIABILITY AND LONGEVITY

MODULE RELIABILITY

Note: We work to continuously improve our products, including backlights that are brighter and last longer. Slight color variations from module to module and batch to batch are normal. If you need modules with consistent color, please ask for a custom order.

ITEM	SPECIFICATION
LCD portion (excluding Keypad and Backlights)	50,000 to 100,000 hours (typical)
Keypad	1,000,000 keystrokes
Yellow-Green LED Display and Yellow-Green LED Keypad Backlight	50,000 to 100,000 hours (typical)

MODULE LONGEVITY (EOL / REPLACEMENT POLICY)

Crystalfontz is committed to making all of our LCD modules available for as long as possible. For each module we introduce, we intend to offer it indefinitely. We do not preplan a module's obsolescence. The majority of modules we have introduced are still available.

We recognize that discontinuing a module may cause problems for some customers. However, rapidly changing technologies, component availability, or low customer order levels may force us to discontinue ("End of Life", EOL) a module. For example, we must occasionally discontinue a module when a supplier discontinues a component or a manufacturing process becomes obsolete. When we discontinue a module, we will do our best to find an acceptable replacement module with the same fit, form, and function.

In most situations, you will not notice a difference when comparing a "fit, form, and function" replacement module to the discontinued module it replaces. However, sometimes a change in component or process for the replacement module results in a slight variation, perhaps an improvement, over the previous design.

Although the replacement module is still within the stated Data Sheet specifications and tolerances of the discontinued module, changes may require modification to your circuit and/or firmware. Possible changes include:

- *Backlight LEDs.* Brightness may be affected (perhaps the new LEDs have better efficiency) or the current they draw may change (new LEDs may have a different VF).
- *Controller.* A new controller may require minor changes in your code.
- *Component tolerances.* Module components have manufacturing tolerances. In extreme cases, the tolerance stack can change the visual or operating characteristics.

Please understand that we avoid changing a module whenever possible; we only discontinue a module if we have no other option. We post Part Change Notices (PCN) on the product's website page as soon as possible. If interested, you can subscribe to future part change notifications.



CARE AND HANDLING PRECAUTIONS

For optimum operation of the CFA633-YYH-KU and to prolong its life, please follow the precautions described below.

ESD (ELECTROSTATIC DISCHARGE)

The circuitry is industry standard CMOS logic and susceptible to ESD damage. Please use industry standard anti-static precautions as you would for any other static sensitive devices such as expansion cards, motherboards, or integrated circuits. Ground your body, work surfaces, and equipment.

DESIGN AND MOUNTING

- The exposed surface of the “glass” is actually a polarizer laminated on top of the glass. To protect the soft plastic polarizer from damage, the module ships with a protective film over the polarizer. Please peel off the protective film slowly. Peeling off the protective film abruptly may generate static electricity.
- The polarizer is made out of soft plastic and is easily scratched or damaged. When handling the module, avoid touching the polarizer. Finger oils are difficult to remove.
- *CFA633-YYH-KU without Crystalfontz overlay*: To protect the soft plastic polarizer from damage, place a transparent plate (for example, acrylic, polycarbonate or glass) in front of the module, leaving a small gap between the plate and the display surface.
- Do not disassemble or modify the module.
- Do not modify the six tabs of the metal bezel or make connections to them.
- Do not reverse polarity to the power supply connections. Reversing polarity will immediately ruin the module.

AVOID SHOCK, IMPACT, TORQUE, OR TENSION

- Do not expose the CFA633-YYH-KU to strong mechanical shock, impact, torque, or tension.
- Do not drop, toss, bend, or twist the CFA633-YYH-KU.
- Do not place weight or pressure on the CFA633-YYH-KU.
- If the LCD panel breaks, be careful to not get the liquid crystal fluid in your mouth or eyes. If the liquid crystal fluid touches your skin, clothes, or work surface, wash it off immediately using soap and plenty of water.

IF LCD PANEL BREAKS

- If the LCD panel breaks, be careful to not get the liquid crystal fluid in your mouth or eyes.
- If the liquid crystal fluid touches your skin, clothes, or work surface, wash it off immediately using soap and plenty of water.

CLEANING

- The polarizer (laminated to the glass) is soft plastic. The soft plastic is easily scratched or damaged. Be very careful when you clean the polarizer.
- Do not clean the polarizer with liquids. Do not wipe the polarizer with any type of cloth or swab (for example, Q-tips).
- Use the removable protective film to remove smudges (for example, fingerprints) and any foreign matter. If you no longer have the protective film, use standard transparent office tape (for example, Scotch® brand “Crystal Clear Tape”). If the polarizer is dusty, you may carefully blow it off with clean, dry, oil-free compressed air.



- *CFA633-YYH-KU without Crystalfontz overlay:* The exposed surface of the LCD “glass” is actually the front polarizer laminated to the glass. The polarizer is made out of a fairly soft plastic and is easily scratched or damaged. The polarizer will eventually become hazy if you do not take great care when cleaning it. Long contact with moisture (from condensation or cleaning) may permanently spot or stain the polarizer.

OPERATION

- Your circuit should be designed to protect the CFA633-YYH-KU from ESD and power supply transients.
- Observe the operating temperature limitations: a minimum of -20°C to a maximum of +70°C with minimal fluctuation. Operation outside of these limits may shorten life and/or harm display.
 - At lower temperatures of this range, response time is delayed.
 - At higher temperatures of this range, display becomes dark. (You may need to adjust the contrast.)
- Operate away from dust, moisture, and direct sunlight.

STORAGE AND RECYCLING

- Store in an ESD-approved container away from dust, moisture, and direct sunlight.
- Observe the storage temperature limitations: -30°C minimum, +80°C maximum with minimal fluctuation. Rapid temperature changes can cause moisture to form, resulting in permanent damage.
- Do not allow weight to be placed on the CFA633-YYH-KU while they are in storage.
- Please recycle your outdated Crystalfontz modules at an approved facility.

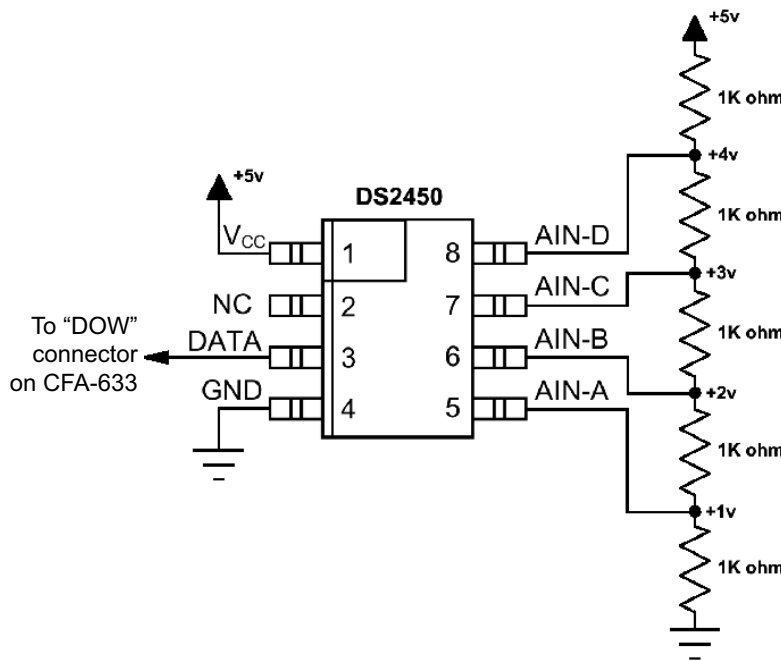


APPENDIX A: CONNECTING A DS2450 1-WIRE QUAD A/D CONVERTER

This appendix describes a simple test circuit that demonstrates how to connect a Dallas Semiconductor DS2450 4-channel ADC to the CFA633's DOW (Dallas One Wire) connector. It also gives a sample command sequence to initialize and read the ADC.

Up to 32 DOW devices can be connected to the CFA633. In this example the DS2450 appears at device index 0. Your software should query the connected devices using command [18 \(0x12\): Read DOW Device Information \(Pg. 45\)](#) to verify the locations and types of DOW devices connected in your application.

Please refer to the [DS2450 Data Sheet](#) and the description for command [20 \(0x14\): Arbitrary DOW Transaction \(Pg. 47\)](#) more information.



Appendix A, Figure 1. Test Circuit Schematic

Start [633 WinTest](#) and open the Packet Debugger dialog.

Select Command 20 = Arbitrary DOW Transaction, then paste each string below into the data field and send the packet. The response should be similar to what is shown.



```
//Write 0x40 (=64) to address 0x1C (=28) to leave analog circuitry on
//(see page 6 of the data sheet)
<command 20> \000\002\085\028\000\064
<response> C=84(d=0):2E,05,22 //16 bit "i-button" CRC + 8-bit "DOW" CRC
//Consult "i-button" docs to check 16-bit CRC
//DOW CRC is probably useless for this device.

//Write all 8 channels of control/status (16 bits, 5.10v range)
<command 20> \000\002\085\008\000\000 // address = 8, channel A low
<response> C=84(d=0):6F,F1,68 // 16-bits, output off

<command 20> \000\002\085\009\000\001 // address = 9, channel A high
<response> C=84(d=0):FF,F1,AB // no alarms, 5.1v

<command 20> \000\002\085\010\000\000 // address = 10, channel B low
<response> C=84(d=0):CE,31,88 // 16-bits, output off

<command 20> \000\002\085\011\000\001 // address = 11, channel B high
<response> C=84(d=0):5E,31,4B // no alarms, 5.1v

<command 20> \000\002\085\012\000\000 // address = 12, channel C low
<response> C=84(d=0):2E,30,A3 // 16-bits, output off

<command 20> \000\002\085\013\000\001 // address = 13, channel C high
<response> C=84(d=0):BE,30,60 // no alarms, 5.1v

<command 20> \000\002\085\014\000\000 // address = 14, channel D low
<response> C=84(d=0):8F,F0,43 // 16-bits, output off

<command 20> \000\002\085\015\000\001 // address = 15, channel D high
<response> C=84(d=0):1F,F0,80 // no alarms, 5.1v

//Read all 4 channels of control/status (check only)
<command 20> \000\010\170\008\000
<response> C=84(d=0):00,01,00,01,00,01,00,01,E0,CF,01

//Repeat next two commands for each conversion (two cycles shown)

//Start conversion on all channels
<command 20> \000\002\060\015\000
<response> C=84(d=0):3A,03,28

//Read all 8 channels
<command 20> \000\010\170\000\000
<response> C=84(d=0):00,33,DF,64,84,96,6A,C8,5A,6B,BE

//Decoded response:
0x3300 = 130561.016015625 volts (channel A)
0x64DF = 258232.009541321 volts (channel B)
0x9684 = 385322.998553467 volts (channel C)
0xC86A = 513063.992623901 volts (channel D)

//Start conversion on all channels
<command 20> \000\002\060\015\000
<response> C=84(d=0):3A,03,28

//Read all 8 channels
<command 20> \000\010\170\000\000
<response> C=84(d=0):6B,33,B2,64,97,96,42,C8,0F,C9,0A

//Decoded response:
0x336B = 131631.024342346 volts (channel A)
0x64B2 = 257782.006039429 volts (channel B)
0x9697 = 385513.000032043 volts (channel C)
0xC842 = 512663.989511108 volts (channel D)
```



APPENDIX B: CONNECTING A DS1963S SHA IButton

This appendix describes connecting a Dallas Semiconductor DS1963S Monetary iButton with SHA-1 Challenge Response Algorithm and 4KB of nonvolatile RAM to the CFA633's DOW (Dallas One Wire) connector. It also gives a sample command sequence to read and write the DS1963S's scratch memory.

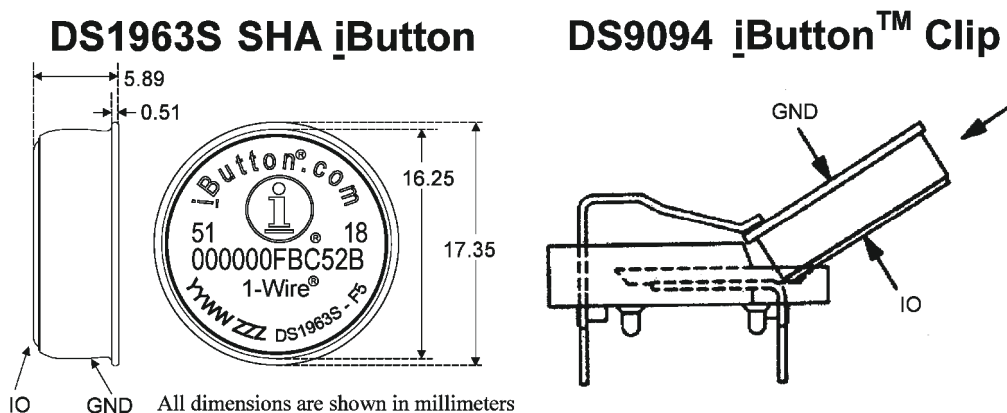
The DS1963S can be used as a secure dongle to protect your system's application software from being copied. Even if the communication channel is compromised or the host is not authentic, the SHA algorithm ensures that the data is still secure. Please see the following Maxim/Dallas white papers and application notes for more information:

- [White Paper 1: SHA Devices Used in Small Cash Systems](#)
- [White Paper 2: Using the 1-Wire Public-Domain Kit](#)
- [White Paper 3: Why are 1-Wire SHA-1 Devices Secure?](#)
- [White Paper 4: Glossary of 1-Wire SHA-1 Terms](#)
- [App Note 1201: White Paper 8: 1-Wire SHA-1 Overview](#)
- [App Note 150: Small Message Encryption using SHA Devices](#)
- [App Note 152: SHA iButton Secrets and Challenges](#)
- [App Note 154: Passwords in SHA Authentication](#)
- [App Note 156: DS1963S SHA 1-Wire API Users Guide](#)
- [App Note 157: SHA iButton API Overview](#)
- [App Note 190: Challenge and Response with 1-Wire SHA devices](#)

Up to 32 DOW devices can be connected to the CFA633. In this example the DS1963S appears at device index 0. Your software should query the connected devices using command [19 \(0x13\): Set Up Temperature Reporting \(Pg. 46\)](#) to verify the locations and types of DOW devices connected in your application.

Please refer to the [DS1963S Data Sheet](#) and the description for command [20 \(0x14\): Arbitrary DOW Transaction \(Pg. 47\)](#) for more information.

To connect the DS1963S to the CFA633, simply make one connection between the DS1963S's "GND" terminal and the CFA633 DOW connector's GND pin, and a second connection between the DS1963S's "IO" pin and the CFA633 DOW connector's I/O pin. By using a DS9094 iButton Clip, the connection is easy.



Appendix B, Figure 1. Connecting DS1963S SHA iButton using DS9094 iButton Clip



To demonstrate reading and writing the scratch memory on DS1963S, open the [633_WinTest](#) Packet Debugger dialog and use it to experiment with the following commands: Erase Scratchpad, Read Scratchpad, and Write Scratchpad.

To use the full power of the DS1963S, a program based on the Dallas/Maxim application notes listed above is needed. The challenge/response sequence would be unwieldy to demonstrate using the 633_WinTest Packet Debugger dialog.

First read the address of the DS1963S as detected by the CFA633 at boot. Since only one device is connected, you only need to query index 0. In a production situation, query all 32 indices to get a complete picture of the devices available on the DOW bus.

```
Command:
 18 = Read DOW Device Information
Data sent:
 \000
Data received:
 C=82 (d=0) : 18, CC, D2, 19; 00, 00, 00, 9E
```

The first byte returned is the Family Code of the Dallas One Wire / iButton device. 0x18 indicates that this device is a DS1963. A list of the possible Dallas One Wire / iButton device family codes is available in [App Note 155: 1-Wire Software Resource Guide](#) on the Maxim/Dallas website.

Erase Scratchpad Command (quote from the Maxim/Dallas [DS1963S Data Sheet](#)):

Erase Scratchpad [C3h]

The purpose of this command is to clear the HIDE flag and to wipe out data that might have been left in the scratchpad from a previous operation. After having issued the command code the bus master transmits a target address, as with the write scratchpad command, but no data. Next the whole scratchpad will be automatically filled with FFh bytes, regardless of the target address. This process takes approximately 32 μ s during which the master reads 1's. After this the master reads a pattern of alternating 0's and 1's indicating that the command has completed. The master must read at least 8 bits of this alternating pattern. Otherwise the device might not properly respond to a subsequent Reset Pulse.

```
Command:
 20 = Arbitrary DOW transaction
Data sent:
 \000\014\xC3\000\000
Data received:
 C=84 (d=0) : FF, AA, AA, AA, AA, AA, AA, AA, AA, AA, AA, AA, AA, AA, AA, 9F
```

The "AA" bytes read are the pattern of alternating 0's and 1's indicating that the command has completed.

Read Scratchpad Command (quote from the Maxim/Dallas [DS1963S Data Sheet](#))

Read Scratchpad Command [AAh]

HIDE = 0:

The Read Scratchpad command allows verifying the target address, ending offset and the integrity of the scratchpad data. After issuing the command code the master begins reading. The first 2 bytes will be the target address. The next byte will be the ending offset/data status byte (E/S) followed by the scratchpad data beginning at the byte offset (T4: T0). The master may read data until the end of the scratchpad after which it will receive the inverted CRC generated by the DS1963S. If the master continues reading after the CRC all data will be logic 1's.

```
Command:
 20 = Arbitrary DOW transaction
Data sent:
 \000\014\xAA
Data received:
 C=84 (d=0) : 00, 00, 1F, FF, FF, FF, FF, FF, FF, FF, FF, FF, FF, FF, 07
```

Since you did an "Erase Scratchpad" as the previous command, the "Read Scratchpad" returns 0xFF bytes as expected.



Write Scratchpad Command (quote from the Maxim/Dallas [DS1963S Data Sheet](#))

Write Scratchpad Command [0Fh]

HIDE = 0, Target Address range 0000h to 01FFh only

After issuing the write scratchpad command, the master must first provide the 2-byte target address, followed by the data to be written to the scratchpad. The data will be written to the scratchpad starting at the byte offset (T4:T0). The ending offset (E4:E0) will be the byte offset at which the master stops writing data. Only full data bytes are accepted. If the last data byte is incomplete its content will be ignored and the partial byte flag PF will be set.

When executing the Write Scratchpad command the CRC generator inside the DS1963S (see Figure 12) calculates a CRC of the entire data stream, starting at the command code and ending at the last data byte sent by the master. This CRC is generated using the CRC16 polynomial by first clearing the CRC generator and then shifting in the command code (0FH) of the Write Scratchpad command, the Target Addresses TA1 and TA2 as supplied by the master and all the data bytes. The master may end the Write Scratchpad command at any time. However, if the ending offset is 11111b, the master may send 16 read time slots and will receive the CRC generated by the DS1963S.

Write 10 bytes of identifiable test data {0x11, 0x22, 0x33, 0x44, 0x55, 0x66, 0x77, 0x88, 0x99, 0xAA} to the scratch pad in location 0:0

Command:

20 = Arbitrary DOW transaction

Data sent:

\000\000\x0F\x00\x00\x11\x22\x33\x44\x55\x66\x77\x88\x99\xAA

Data received:

C=84 (d=0) :00

Use the Read Scratchpad Command [AAh] to read back the data.

Command:

20 = Arbitrary DOW transaction

Data sent:

\000\013\xAA

Data received:

C=84 (d=0) :00,00,09,11,22,33,44,55,66,77,88,99,AA,1E

Now write 10 bytes of identifiable test data {0x12, 0x23, 0x34, 0x45, 0x56, 0x67, 0x78, 0x89, 0x9A, 0xAB} to the scratch pad in location 0:0x0A

Command:

20 = Arbitrary DOW transaction

Data sent:

\000\000\x0F\x0A\x00\x12\x23\x34\x45\x56\x67\x78\x89\x9A\xAB

Data received:

C=84 (d=0) :00

Use the Read Scratchpad Command [AAh] to read back the data.

Command:

20 = Arbitrary DOW transaction

Data sent:

\000\013\xAA

Data received:

C=84 (d=0) :00,02,09,12,23,34,45,56,67,78,89,9A,AB,62

Reading and writing to the scratch pad is the first step required to communicate with the DS1863S. In order to fully use the DS1963S for a dongle application that securely protects your software from copying, become familiar with the SHA algorithm as it applies to the SHA iButton by studying the Maxim/Dallas white papers and application notes listed above. Then create a software application that implements the secure challenge/response protocol as outlined in the application notes.



APPENDIX C: DEMONSTRATION SOFTWARE AND SAMPLE CODE

SAMPLE CODE

We encourage you to use the free sample code listed below. Please leave the original copyrights in the code.

- Windows compatible test/demonstration program and source.
<http://www.crystalfontz.com/product/633WinTest#docs>
- Linux compatible command-line demonstration program with C source code. 8K.
http://www.crystalfontz.com/product/linux_cli_examples#docs
- Supported by CrystalControl freeware.
<http://www.crystalfontz.com/product/CrystalControl2.html>

In addition, see <http://lcdproc.org/hardware.php3> for Linux LCD drivers. LCDproc is an open source project that supports many of the CrystalFontz displays.

ALGORITHMS TO CALCULATE THE CRC

Below are eight sample algorithms that will calculate the CRC of a CFA633 packet. Some of the algorithms were contributed by forum members and originally written for the CFA631 and CFA635. The CRC used in the CFA633 is the same one that is used in IrDA, which came from PPP, which seems to be related to a CCITT (ref: Network Working Group Request for Comments: 1171) standard. At that point, the trail was getting a bit cold and diverged into several referenced articles and papers, dating back to 1983.

The polynomial used is $X^{16} + X^{12} + X^5 + X^0$ (0x8408)
 The result is bit-wise inverted before being returned.

Algorithm 1: "C" Table Implementation

This algorithm is typically used on the host computer, where code space is not an issue.

```
//This code is from the IRDA LAP documentation, which appears to
//have been copied from PPP:
//
// http://irda.affiniscape.com/associations/2494/files/Specifications/
IrLAP11_Plus_Errata.zip
//
//I doubt that there are any worries about the legality of this code,
//searching for the first line of the table below, it appears that
//the code is already included in the linux 2.6 kernel "Driver for
//ST5481 USB ISDN modem". This is an "industry standard" algorithm
//and I do not think there are ANY issues with it at all.
typedef unsigned char ubyte;
typedef unsigned short word;
word get_crc(ubyte *bufptr,word len)
{
  //CRC lookup table to avoid bit-shifting loops.
  static const word crcLookupTable[256] =
  {0x00000,0x01189,0x02312,0x0329B,0x04624,0x057AD,0x06536,0x074BF,
  0x08C48,0x09DC1,0x0AF5A,0x0BED3,0x0CA6C,0x0DBE5,0x0E97E,0x0F8F7,
  0x01081,0x00108,0x03393,0x0221A,0x056A5,0x0472C,0x075B7,0x0643E,
  0x09CC9,0x08D40,0x0BFDB,0x0AE52,0x0DAED,0x0CB64,0x0F9FF,0x0E876,
  0x02102,0x0308B,0x00210,0x01399,0x06726,0x076AF,0x04434,0x055BD,
  0x0AD4A,0x0BCC3,0x08E58,0x09FD1,0x0EB6E,0x0FAE7,0x0C87C,0x0D9F5,
```



```
0x03183, 0x0200A, 0x01291, 0x00318, 0x077A7, 0x0662E, 0x054B5, 0x0453C,
0x0BDCB, 0x0AC42, 0x09ED9, 0x08F50, 0x0FBEB, 0x0EA66, 0x0D8FD, 0x0C974,
0x04204, 0x0538D, 0x06116, 0x0709F, 0x00420, 0x015A9, 0x02732, 0x036BB,
0x0CE4C, 0x0DFC5, 0x0ED5E, 0x0FCD7, 0x08868, 0x099E1, 0x0AB7A, 0x0BAF3,
0x05285, 0x0430C, 0x07197, 0x0601E, 0x014A1, 0x00528, 0x037B3, 0x0263A,
0x0DECD, 0x0CF44, 0x0FDDF, 0x0EC56, 0x098E9, 0x08960, 0x0BBFB, 0x0AA72,
0x06306, 0x0728F, 0x04014, 0x0519D, 0x02522, 0x034AB, 0x00630, 0x017B9,
0x0EF4E, 0x0FEC7, 0x0CC5C, 0x0DDD5, 0x0A96A, 0x0B8E3, 0x08A78, 0x09BF1,
0x07387, 0x0620E, 0x05095, 0x0411C, 0x035A3, 0x0242A, 0x016B1, 0x00738,
0x0FFCF, 0x0EE46, 0x0DCDD, 0x0CD54, 0x0B9EB, 0x0A862, 0x09AF9, 0x08B70,
0x08408, 0x09581, 0x0A71A, 0x0B693, 0x0C22C, 0x0D3A5, 0x0E13E, 0x0F0B7,
0x00840, 0x019C9, 0x02B52, 0x03ADB, 0x04E64, 0x05FED, 0x06D76, 0x07CFF,
0x09489, 0x08500, 0x0B79B, 0x0A612, 0x0D2AD, 0x0C324, 0x0F1BF, 0x0E036,
0x018C1, 0x00948, 0x03BD3, 0x02A5A, 0x05EE5, 0x04F6C, 0x07DF7, 0x06C7E,
0x0A50A, 0x0B483, 0x08618, 0x09791, 0x0E32E, 0x0F2A7, 0x0C03C, 0x0D1B5,
0x02942, 0x038CB, 0x00A50, 0x01BD9, 0x06F66, 0x07EEF, 0x04C74, 0x05DFD,
0x0B58B, 0x0A402, 0x09699, 0x08710, 0x0F3AF, 0x0E226, 0x0D0BD, 0x0C134,
0x039C3, 0x0284A, 0x01AD1, 0x00B58, 0x07FE7, 0x06E6E, 0x05CF5, 0x04D7C,
0x0C60C, 0x0D785, 0x0E51E, 0x0F497, 0x08028, 0x091A1, 0x0A33A, 0x0B2B3,
0x04A44, 0x05BCD, 0x06956, 0x078DF, 0x00C60, 0x01DE9, 0x02F72, 0x03EFB,
0x0D68D, 0x0C704, 0x0F59F, 0x0E416, 0x090A9, 0x08120, 0x0B3BE, 0x0A232,
0x05AC5, 0x04B4C, 0x079D7, 0x0685E, 0x01CE1, 0x00D68, 0x03FF3, 0x02E7A,
0x0E70E, 0x0F687, 0x0C41C, 0x0D595, 0x0A12A, 0x0B0A3, 0x08238, 0x093B1,
0x06B46, 0x07ACF, 0x04854, 0x059DD, 0x02D62, 0x03CEB, 0x00E70, 0x01FF9,
0x0F78F, 0x0E606, 0x0D49D, 0x0C514, 0x0B1AB, 0x0A022, 0x092B9, 0x08330,
0x07BC7, 0x06A4E, 0x058D5, 0x0495C, 0x03DE3, 0x02C6A, 0x01EF1, 0x00F78};
```

```
register word
newCrc;
newCrc=0xFFFF;
//This algorithm is based on the IrDA LAP example.
while(len--)
  newCrc = (newCrc >> 8) ^ crcLookupTable[(newCrc ^ *bufptr++) & 0xff];

//Make this crc match the one's complement that is sent in the packet.
return(~newCrc);
}
```

Algorithm 2: "C" Bit Shift Implementation

This algorithm was mainly written to avoid any possible legal issues about the source of the routine (at the request of the LCDproc group). This routine was "clean" coded from the definition of the CRC. It is ostensibly smaller than the table driven approach but will take longer to execute. This routine is offered under the GPL.

```
typedef unsigned char ubyte;
typedef unsigned short word;
word get_crc(ubyte *bufptr, word len)
{
  register unsigned int
  newCRC;
  //Put the current byte in here.
  ubyte
  data;
  int
  bit_count;
  //This seed makes the output of this shift based algorithm match
  //the table based algorithm. The center 16 bits of the 32-bit
  //"newCRC" are used for the CRC. The MSb of the lower byte is used
  //to see what bit was shifted out of the center 16 bit CRC
  //accumulator ("carry flag analog");
  newCRC=0x00F32100;
  while(len--)
  {
    //Get the next byte in the stream.
    data=*bufptr++;
```



```
//Push this byte's bits through a software
//implementation of a hardware shift & xor.
for(bit_count=0;bit_count<=7;bit_count++)
{
    //Shift the CRC accumulator
    newCRC>>=1;

    //The new MSB of the CRC accumulator comes
    //from the LSB of the current data byte.
    if(data&0x01)
        newCRC|=0x00800000;

    //If the low bit of the current CRC accumulator was set
    //before the shift, then we need to XOR the accumulator
    //with the polynomial (center 16 bits of 0x00840800)
    if(newCRC&0x00000080)
        newCRC^=0x00840800;
    //Shift the data byte to put the next bit of the stream
    //into position 0.
    data>>=1;
}
}

//All the data has been done. Do 16 more bits of 0 data.
for(bit_count=0;bit_count<=15;bit_count++)
{
    //Shift the CRC accumulator
    newCRC>>=1;

    //If the low bit of the current CRC accumulator was set
    //before the shift we need to XOR the accumulator with
    //0x00840800.
    if(newCRC&0x00000080)
        newCRC^=0x00840800;
}
//Return the center 16 bits, making this CRC match the one's
//complement that is sent in the packet.
return((~newCRC)>>8);
}
```



Algorithm 2B: "C" Improved Bit Shift Implementation

This is a simplified algorithm that implements the CRC.

```

unsigned short get_crc(unsigned char count,unsigned char *ptr)
{
  unsigned short
    crc; //Calculated CRC
  unsigned char
    i; //Loop count, bits in byte
  unsigned char
    data; //Current byte being shifted

  crc = 0xFFFF; // Preset to all 1's, prevent loss of leading zeros

  while(count--)
  {
    data = *ptr++;
    i = 8;
    do
    {
      if((crc ^ data) & 0x01)
      {
        crc >>= 1;
        crc ^= 0x8408;
      }
      else
        crc >>= 1;
      data >>= 1;
    } while(--i != 0);
  }
  return (~crc);
}

```

Algorithm 3: "PIC Assembly" Bit Shift Implementation

This routine was graciously donated by one of our customers.

```

;=====
; Crystalfontz CFA633 PIC CRC Calculation Example
;
; This example calculates the CRC for the hard coded example provided
; in the documentation.
;
; It uses "This is a test. " as input and calculates the proper CRC
; of 0x93FA.
;=====
#include "p16f877.inc"
;=====
; CRC16 equates and storage
;-----
accuml      equ      40h      ; BYTE - CRC result register high byte
accumh      equ      41h      ; BYTE - CRC result register high low byte
datareg     equ      42h      ; BYTE - data register for shift
j           equ      43h      ; BYTE - bit counter for CRC 16 routine
Zero        equ      44h      ; BYTE - storage for string memory read

```



```
index      equ      45h      ; BYTE - index for string memory read
savchr     equ      46h      ; BYTE - temp storage for CRC routine
;
seedlo     equ      021h     ; initial seed for CRC reg lo byte
seedhi     equ      0F3h     ; initial seed for CRC reg hi byte
;
polyL      equ      008h     ; polynomial low byte
polyH      equ      084h     ; polynomial high byte
;=====
;  CRC Test Program
;-----
          org      0          ; reset vector = 0000H
;
          clrf     PCLATH     ; ensure upper bits of PC are cleared
          clrf     STATUS     ; ensure page bits are cleared
          goto     main       ; jump to start of program
;
; ISR Vector
;
          org      4          ; start of ISR
          goto     $          ; jump to ISR when coded
;
main      org      20         ; start of main program
          movlw   seedhi      ; setup intial CRC seed value.
          movwf   accumh      ; This must be done prior to
          movlw   seedlo      ; sending string to CRC routine.
          movwf   accuml      ;
          clrf    index       ; clear string read variables
;
main1     movlw   HIGH InputStr ; point to LCD test string
          movwf   PCLATH      ; latch into PCL
          movfw   index       ; get index
          call    InputStr    ; get character
          movwf   Zero        ; setup for terminator test
          movf    Zero,f      ; see if terminator
          btfsc   STATUS,Z    ; skip if not terminator
          goto   main2        ; else terminator reached, jump out of loop
          call    CRC16       ; calculate new crc
          call    SENDUART    ; send data to LCD
          incf   index,f      ; bump index
          goto   main1        ; loop
;
main2     movlw   00h         ; shift accumulator 16 more bits.
          call    CRC16       ; This must be done after sending
          movlw   00h         ; string to CRC routine.
          call    CRC16       ;
;
          comf   accumh,f     ; invert result
          comf   accuml,f     ;
;
          movfw   accuml      ; get CRC low byte
          call    SENDUART    ; send to LCD
          movfw   accumh      ; get CRC hi byte
          call    SENDUART    ; send to LCD
;
stop      goto     stop       ; word result of 0x93FA is in accumh/accuml
;=====
; calculate CRC of input byte
;-----
CRC16     movwf   savchr      ; save the input character
          movwf   datareg     ; load data register
          movlw   .8          ; setup number of bits to test
          movwf   j           ; save to incrementor
_loop
```



```

    clrc                ; clear carry for CRC register shift
    rrf                datareg,f ; perform shift of data into CRC register
    rrf                accumh,f ;
    rrf                accumul,f ;
    btfss              STATUS,C ; skip jump if if carry
    goto               _notset  ; otherwise goto next bit
    movlw              polyL    ; XOR poly mask with CRC register
    xorwf              accumul,F ;
    movlw              polyH    ;
    xorwf              accumh,F ;
_notset
    decfsz             j,F      ; decrement bit counter
    goto               _loop    ; loop if not complete
    movfw              savchr   ; restore the input character
    return             ; return to calling routine
;=====
; USER SUPPLIED Serial port transmit routine
;-----
SENDUART
    return             ; put serial xmit routine here
;=====
; test string storage
;-----
    org                0100h
;
InputStr
    addwf              PCL,f
    dt                 7h,10h,"This is a test. ",0
;
;=====
    end

```

Algorithm 4: “Visual Basic” Table Implementation

Visual BASIC has its own challenges as a language (such as initializing static arrays), and it is also challenging to use Visual BASIC to work with “binary” (arbitrary length character data possibly containing nulls—such as the “data” portion of the CFA633 packet) data. This routine was adapted from the C table implementation. The complete project can be found in our forums.

```

'This program is brutally blunt. Just like VB. No apologies.
'Written by Crystalfontz America, Inc. 2004 http://www.crystalfontz.com
'Free code, not copyright copyleft or anything else.
'Some visual basic concepts taken from:
'http://www.planet-source-code.com/vb/scripts/ShowCode.asp?txtCodeId=21434&lngWId=1
'most of the algorithm is from functions in 633_WinTest:
'http://www.crystalfontz.com/products/633/633_WinTest.zip
'Full zip of the project is available in our forum:
'http://www.crystalfontz.com/forum/showthread.php?postId=9921#post9921

```

```

Private Type WORD
    Lo As Byte
    Hi As Byte
End Type

Private Type PACKET_STRUCT
    command As Byte
    data_length As Byte
    data(22) As Byte
    crc As WORD
End Type

Dim crcLookupTable(256) As WORD

Private Sub MSComm_OnComm()
'Leave this here

```



End Sub

'My understanding of visual basic is very limited--however it appears that there is no way
 'to initialize an array of structures. Nice language. Fast processors, lots of memory, big
 'disks, and we fill them up with this . . this . . this . . STUFF.

```
Sub Initialize CRC Lookup_Table()
  crcLookupTable(0).Lo = &H0
  crcLookupTable(0).Hi = &H0
  . . .
```

'For purposes of brevity in this data sheet, I have removed 251 entries of this table, the
 'full source is available in our forum:

'<http://www.crystalfontz.com/forum/showthread.php?postid=9921#post9921>

```
. . .
  crcLookupTable(255).Lo = &H78
  crcLookupTable(255).Hi = &HF
```

End Sub

'This function returns the CRC of the array at data for length positions
 Private Function Get_CRC(ByRef data() As Byte, ByVal length As Integer) As WORD

```
  Dim Index As Integer
  Dim Table_Index As Integer
  Dim newCrc As WORD
  newCrc.Lo = &HFF
  newCrc.Hi = &HFF
  For Index = 0 To length - 1
    'exclusive-or the input byte with the low-order byte of the CRC register
    'to get an index into crcLookupTable
    Table_Index = newCrc.Lo Xor data(Index)
    'shift the CRC register eight bits to the right
    newCrc.Lo = newCrc.Hi
    newCrc.Hi = 0
    ' exclusive-or the CRC register with the contents of Table at Table_Index
    newCrc.Lo = newCrc.Lo Xor crcLookupTable(Table_Index).Lo
    newCrc.Hi = newCrc.Hi Xor crcLookupTable(Table_Index).Hi
  Next Index
```

```
  'Invert & return newCrc
  Get_CRC.Lo = newCrc.Lo Xor &HFF
  Get_CRC.Hi = newCrc.Hi Xor &HFF
```

End Function

```
Private Sub Send_Packet(ByRef packet As PACKET_STRUCT)
  Dim Index As Integer
  'Need to put the whole packet into a linear array
  'since you can't do type overrides. VB, gotta love it.
  Dim linear_array(26) As Byte
  linear_array(0) = packet.command
  linear_array(1) = packet.data_length
  For Index = 0 To packet.data_length - 1
    linear_array(Index + 2) = packet.data(Index)
  Next Index
  packet.crc = Get_CRC(linear_array, packet.data_length + 2)
  'Might as well move the CRC into the linear array too
  linear_array(packet.data_length + 2) = packet.crc.Lo
  linear_array(packet.data_length + 3) = packet.crc.Hi
  'Now a simple loop can dump it out the port.
  For Index = 0 To packet.data_length + 3
    MSComm.Output = Chr(linear_array(Index))
  Next Index
End Sub
```

Algorithm 5: "Java" Table Implementation

This [code was posted in our forum](#) by user "norm" as a working example of a Java CRC calculation.

```
public class CRC16 extends Object
{
  public static void main(String[] args)
```



```
{
byte[] data = new byte[2];
// hw - fw
data[0] = 0x01;
data[1] = 0x00;
System.out.println("hw -fw req");
System.out.println(Integer.toHexString(compute(data)));

// ping
data[0] = 0x00;
data[1] = 0x00;
System.out.println("ping");
System.out.println(Integer.toHexString(compute(data)));

// reboot
data[0] = 0x05;
data[1] = 0x00;
System.out.println("reboot");
System.out.println(Integer.toHexString(compute(data)));

// clear lcd
data[0] = 0x06;
data[1] = 0x00;
System.out.println("clear lcd");
System.out.println(Integer.toHexString(compute(data)));

// set line 1
data = new byte[18];
data[0] = 0x07;
data[1] = 0x10;
String text = "Test Test Test ";
byte[] textByte = text.getBytes();
for (int i=0; i < text.length(); i++) data[i+2] = textByte[i];
System.out.println("text 1");
System.out.println(Integer.toHexString(compute(data)));
}
private CRC16()
{
}
private static final int[] crcLookupTable =
{
0x00000,0x01189,0x02312,0x0329B,0x04624,0x057AD,0x06536,0x074BF,
0x08C48,0x09DC1,0x0AF5A,0x0BED3,0x0CA6C,0x0DBE5,0x0E97E,0x0F8F7,
0x01081,0x00108,0x03393,0x0221A,0x056A5,0x0472C,0x075B7,0x0643E,
0x09CC9,0x08D40,0x0BFDB,0x0AE52,0x0DAED,0x0CB64,0x0F9FF,0x0E876,
0x02102,0x0308B,0x00210,0x01399,0x06726,0x076AF,0x04434,0x055BD,
0x0AD4A,0x0BCC3,0x08E58,0x09FD1,0x0EB6E,0x0FAE7,0x0C87C,0x0D9F5,
0x03183,0x0200A,0x01291,0x00318,0x077A7,0x0662E,0x054B5,0x0453C,
0x0BDCB,0x0AC42,0x09ED9,0x08F50,0x0FBEF,0x0EA66,0x0D8FD,0x0C974,
0x04204,0x0538D,0x06116,0x0709F,0x00420,0x015A9,0x02732,0x036BB,
0x0CE4C,0x0DFC5,0x0ED5E,0x0FCD7,0x08868,0x099E1,0x0AB7A,0x0BAF3,
0x05285,0x0430C,0x07197,0x0601E,0x014A1,0x00528,0x037B3,0x0263A,
0x0DECD,0x0CF44,0x0FDDF,0x0EC56,0x098E9,0x08960,0x0BBFB,0x0AA72,
0x06306,0x0728F,0x04014,0x0519D,0x02522,0x034AB,0x00630,0x017B9,
0x0EF4E,0x0FEC7,0x0CC5C,0x0DDD5,0x0A96A,0x0B8E3,0x08A78,0x09BF1,
0x07387,0x0620E,0x05095,0x0411C,0x035A3,0x0242A,0x016B1,0x00738,
0x0FFCF,0x0EE46,0x0DCDD,0x0CD54,0x0B9EB,0x0A862,0x09AF9,0x08B70,
0x08408,0x09581,0x0A71A,0x0B693,0x0C22C,0x0D3A5,0x0E13E,0x0F0B7,
0x00840,0x019C9,0x02B52,0x03ADB,0x04E64,0x05FED,0x06D76,0x07CFF,
0x09489,0x08500,0x0B79B,0x0A612,0x0D2AD,0x0C324,0x0F1BF,0x0E036,
0x018C1,0x00948,0x03BD3,0x02A5A,0x05EE5,0x04F6C,0x07DF7,0x06C7E,
0x0A50A,0x0B483,0x08618,0x09791,0x0E32E,0x0F2A7,0x0C03C,0x0D1B5,
0x02942,0x038CB,0x00A50,0x01BD9,0x06F66,0x07EEF,0x04C74,0x05DFD,
0x0B58B,0x0A402,0x09699,0x08710,0x0F3AF,0x0E226,0x0D0BD,0x0C134,
0x039C3,0x0284A,0x01AD1,0x00B58,0x07FE7,0x06E6E,0x05CF5,0x04D7C,
```




```

0x0C60C, 0x0D785, 0x0E51E, 0x0F497, 0x08028, 0x091A1, 0x0A33A, 0x0B2B3,
0x04A44, 0x05BCD, 0x06956, 0x078DF, 0x00C60, 0x01DE9, 0x02F72, 0x03EFB,
0x0D68D, 0x0C704, 0x0F59F, 0x0E416, 0x090A9, 0x08120, 0x0B3BB, 0x0A232,
0x05AC5, 0x04B4C, 0x079D7, 0x0685E, 0x01CE1, 0x00D68, 0x03FF3, 0x02E7A,
0x0E70E, 0x0F687, 0x0C41C, 0x0D595, 0x0A12A, 0x0B0A3, 0x08238, 0x093B1,
0x06B46, 0x07ACF, 0x04854, 0x059DD, 0x02D62, 0x03CEB, 0x00E70, 0x01FF9,
0x0F78F, 0x0E606, 0x0D49D, 0x0C514, 0x0B1AB, 0x0A022, 0x092B9, 0x08330,
0x07BC7, 0x06A4E, 0x058D5, 0x0495C, 0x03DE3, 0x02C6A, 0x01EF1, 0x00F78
};
public static int compute(byte[] data)
{
  int newCrc = 0xFFFF;
  for (int i = 0; i < data.length; i++ )
  {
    int lookup = crcLookupTable[(newCrc ^ data[i]) & 0xFF];
    newCrc = (newCrc >> 8) ^ lookup;
  }
  return(~newCrc);
}
}

```

Algorithm 6: “Perl” Table Implementation

This code was translated from the C version by one of our customers.

```

#!/usr/bin/perl

use strict;

my @CRC_LOOKUP =
(0x00000, 0x01189, 0x02312, 0x0329B, 0x04624, 0x057AD, 0x06536, 0x074BF,
0x08C48, 0x09DC1, 0x0AF5A, 0x0BED3, 0x0CA6C, 0x0DBE5, 0x0E97E, 0x0F8F7,
0x01081, 0x00108, 0x03393, 0x0221A, 0x056A5, 0x0472C, 0x075B7, 0x0643E,
0x09CC9, 0x08D40, 0x0BFDB, 0x0AE52, 0x0DAED, 0x0CB64, 0x0F9FF, 0x0E876,
0x02102, 0x0308B, 0x00210, 0x01399, 0x06726, 0x076AF, 0x04434, 0x055BD,
0x0AD4A, 0x0BCC3, 0x08E58, 0x09FD1, 0x0EB6E, 0x0FAE7, 0x0C87C, 0x0D9F5,
0x03183, 0x0200A, 0x01291, 0x00318, 0x077A7, 0x0662E, 0x054B5, 0x0453C,
0x0BDCB, 0x0AC42, 0x09ED9, 0x08F50, 0x0FBF7, 0x0EA66, 0x0D8FD, 0x0C974,
0x04204, 0x0538D, 0x06116, 0x0709F, 0x00420, 0x015A9, 0x02732, 0x036BB,
0x0CE4C, 0x0DFC5, 0x0ED5E, 0x0FCD7, 0x08868, 0x099E1, 0x0AB7A, 0x0BAF3,
0x05285, 0x0430C, 0x07197, 0x0601E, 0x014A1, 0x00528, 0x037B3, 0x0263A,
0x0DECD, 0x0CF44, 0x0FDDF, 0x0EC56, 0x098E9, 0x08960, 0x0BBFB, 0x0AA72,
0x06306, 0x0728F, 0x04014, 0x0519D, 0x02522, 0x034AB, 0x00630, 0x017B9,
0x0EF4E, 0x0FEC7, 0x0CC5C, 0x0DDD5, 0x0A96A, 0x0B8E3, 0x08A78, 0x09BF1,
0x07387, 0x0620E, 0x05095, 0x0411C, 0x035A3, 0x0242A, 0x016B1, 0x00738,
0x0FFCF, 0x0EE46, 0x0DCDD, 0x0CD54, 0x0B9EB, 0x0A862, 0x09AF9, 0x08B70,
0x08408, 0x09581, 0x0A71A, 0x0B693, 0x0C22C, 0x0D3A5, 0x0E13E, 0x0F0B7,
0x00840, 0x019C9, 0x02B52, 0x03ADB, 0x04E64, 0x05FED, 0x06D76, 0x07CFF,
0x09489, 0x08500, 0x0B79B, 0x0A612, 0x0D2AD, 0x0C324, 0x0F1BF, 0x0E036,
0x018C1, 0x00948, 0x03BD3, 0x02A5A, 0x05EE5, 0x04F6C, 0x07DF7, 0x06C7E,
0x0A50A, 0x0B483, 0x08618, 0x09791, 0x0E32E, 0x0F2A7, 0x0C03C, 0x0D1B5,
0x02942, 0x038CB, 0x00A50, 0x01BD9, 0x06F66, 0x07EEF, 0x04C74, 0x05DFD,
0x0B58B, 0x0A402, 0x09699, 0x08710, 0x0F3AF, 0x0E226, 0x0D0BD, 0x0C134,
0x039C3, 0x0284A, 0x01AD1, 0x00B58, 0x07FE7, 0x06E6E, 0x05CF5, 0x04D7C,
0x0C60C, 0x0D785, 0x0E51E, 0x0F497, 0x08028, 0x091A1, 0x0A33A, 0x0B2B3,
0x04A44, 0x05BCD, 0x06956, 0x078DF, 0x00C60, 0x01DE9, 0x02F72, 0x03EFB,
0x0D68D, 0x0C704, 0x0F59F, 0x0E416, 0x090A9, 0x08120, 0x0B3BB, 0x0A232,
0x05AC5, 0x04B4C, 0x079D7, 0x0685E, 0x01CE1, 0x00D68, 0x03FF3, 0x02E7A,
0x0E70E, 0x0F687, 0x0C41C, 0x0D595, 0x0A12A, 0x0B0A3, 0x08238, 0x093B1,
0x06B46, 0x07ACF, 0x04854, 0x059DD, 0x02D62, 0x03CEB, 0x00E70, 0x01FF9,
0x0F78F, 0x0E606, 0x0D49D, 0x0C514, 0x0B1AB, 0x0A022, 0x092B9, 0x08330,
0x07BC7, 0x06A4E, 0x058D5, 0x0495C, 0x03DE3, 0x02C6A, 0x01EF1, 0x00F78);

# our test packet read from an enter key press over the serial line:
# type = 80 (key press)
# data_length = 1 (1 byte of data)

```



```
# data = 5

my $type = '80';
my $length = '01';
my $data = '05';

my $packet = chr(hex $type) .chr(hex $length) .chr(hex $data);

my $valid_crc = '5584' ;

print "A CRC of Packet ($packet) Should Equal ($valid_crc)\n";

my $crc = 0xFFFF ;

printf("%x\n", $crc);

foreach my $char (split //, $packet)
{
  # newCrc = (newCrc >> 8) ^ crcLookupTable[(newCrc ^ *bufptr++) & 0xff];
  # & is bitwise AND
  # ^ is bitwise XOR
  # >> bitwise shift right
  $crc = ($crc >> 8) ^ $CRC_LOOKUP[( $crc ^ ord($char) ) & 0xFF] ;
  # print out the running crc at each byte
  printf("%x\n", $crc);
}

# get the complement
$crc = ~$crc ;
$crc = ($crc & 0xFFFF) ;

# print out the crc in hex
printf("%x\n", $crc);
```

Algorithm 7: For PIC18F8722 or PIC18F2685

This code was written by customer Virgil Stamps of ATOM Instrument Corporation for our CFA635 module.

```
; CRC Algorithm for CrystalFontz CFA635 display (DB535)
; This code written for PIC18F8722 or PIC18F2685
;
; Your main focus here should be the ComputeCRC2 and
; CRC16_ routines
;
;=====
ComputeCRC2:
    movlb    RAM8
    movwf   dsplyLPCNT    ;w has the byte count
nxt1_dsply:
    movf    POSTINC1,w
    call   CRC16_
    decfsz dsplyLPCNT
    goto   nxt1_dsply
    movlw  .0             ; shift accumulator 16 more bits
    call   CRC16_
    movlw  .0
    call   CRC16_
    comf   dsplyCRC,F    ; invert result
    comf   dsplyCRC+1,F
    return
;=====
CRC16_ movwf:
    dsplyCRCDATA          ; w has byte to crc
    movlw  .8
    movwf  dsplyCRCCOUNT
```



```

_loop:
    bcf     STATUS,C           ; clear carry for CRC register shift
    rrcf   dsplyCRCDData,f    ; perform shift of data into CRC
                                ; register

    rrcf   dsplyCRC,F
    rrcf   dsplyCRC+1,F
    btfss  STATUS,C           ; skip jump if carry
    goto   _notset           ; otherwise goto next bit
    movlw  0x84
    xorwf  dsplyCRC,F
    movlw  0x08               ; XOR poly mask with CRC register
    xorwf  dsplyCRC+1,F

_notset:
    decfsz dsplyCRCCount,F    ; decrement bit counter
    bra    _loop             ; loop if not complete
    return

;=====
; example to clear screen
dsplyFSR1_TEMP equ    0x83A    ; 16-bit save for FSR1 for display
                                ; message handler
dsplyCRC        equ    0x83C    ; 16-bit CRC (H/L)
dsplyLPCNT      equ    0x83E    ; 8-bit save for display message
                                ; length - CRC
dsplyCRCDData   equ    0x83F    ; 8-bit CRC data for display use
dsplyCRCCount   equ    0x840    ; 8-bit CRC count for display use
SendCount       equ    0x841    ; 8-bit byte count for sending to
                                ; display
RXBUF2          equ    0x8C0    ; 32-byte receive buffer for
                                ; Display
TXBUF2          equ    0x8E0    ; 32-byte transmit buffer for
                                ; Display
;-----
ClearScreen:
    movlb  RAM8
    movlw  .0
    movwf  SendCount
    movlw  0xF3
    movwf  dsplyCRC           ; seed ho for CRC calculation
    movlw  0x21
    movwf  dsplyCRC+1        ; seen lo for CRC calculation
    call   ClaimFSR1
    movlw  0x06
    movwf  TXBUF2
    LFSR   FSR1,TXBUF2
    movf   SendCount,w
    movwf  TXBUF2+1          ; message data length
    call   BMD1
    goto   SendMsg

;=====
; send message via interrupt routine. The code is made complex due
; to the limited FSR registers and extended memory space used
;
; example of sending a string to column 0, row 0
;-----
SignOnL1:
    call   ClaimFSR1
    lfsr   FSR1,TXBUF2+4     ; set data string position
    SHOW   COR0,BusName     ; move string to TXBUF2
    movlw  .2
                                ;
    addwf  SendCount
                                ;
    movff  SendCount,TXBUF2+1 ; insert message data length

    call   BuildMsgDSPLY
    call   SendMsg
    return

;=====
; BuildMsgDSPLY used to send a string to LCD
;-----

```



```
BuildMsgDSPLY:
    movlw    0xF3
    movwf   dsplyCRC        ; seed hi for CRC calculation
    movlw    0x21
    movwf   dsplyCRC+1      ; seed lo for CRC calculation
    LFSR    FSR1, TXBUF2    ; point at transmit buffer
    movlw    0x1F           ; command to send data to LCD
    movwf   TXBUF2         ; insert command byte from us to
                                ; CFA635

    BMD1    movlw    .2
    ddwf    SendCount,w     ; + overhead
    call    ComputeCRC2     ; compute CRC of transmit message
    movf    dsplyCRC+1,w
    movwf   POSTINC1        ; append CRC byte
    movf    dsplyCRC,w
    movwf   POSTINC1        ; append CRC byte
    return

;=====
SendMsg:
    call    ReleaseFSR1
    LFSR    FSR0, TXBUF2
    movff   FSR0H, irptFSR0
    movff   FSR0L, irptFSR0+1
                                ; save interrupt use of FSR0

    movff   SendCount, TXBUSY2
    bsf     PIE2, TX2IE
                                ; set transmit interrupt enable
                                ; (bit 4)

    return

;=====
; macro to move string to transmit buffer
SHOW macro src, stringname
    call    src
    MOVLFS upper stringname, TBLPTRU
    MOVLFS high stringname, TBLPTRH
    MOVLFS low stringname, TBLPTRL
    call    MOVE_STR
endm

;=====
MOVE_STR:
    tblrd   *+
    movf    TABLAT,w
    bz      mslb
    movwf   POSTINC1
    incf    SendCount
    goto    MOVE_STR

mslb:
    return

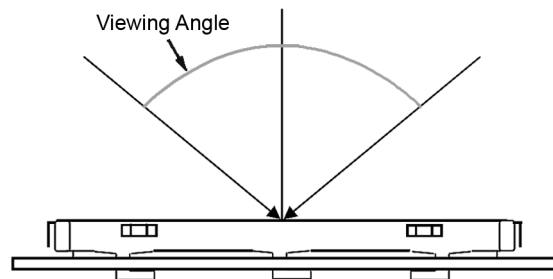
;=====
```



APPENDIX D: QUALITY ASSURANCE STANDARDS

INSPECTION CONDITIONS

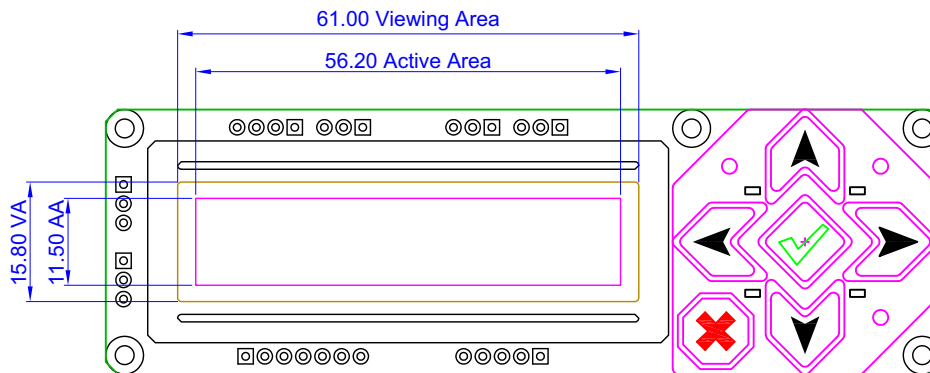
- Environment
 - Temperature: $25\pm 5^{\circ}\text{C}$
 - Humidity: 30~85% RH noncondensing
- For visual inspection of active display area
 - Source lighting: two 20 Watt or one 40 Watt fluorescent light
 - Display adjusted for best contrast
 - Viewing distance: 30 ± 5 cm (about 12 inches)
 - Viewable angle: inspect at 45° angle of vertical line right and left, top and bottom



COLOR DEFINITIONS

We try to describe the appearance of our modules as accurately as possible. For the photos, we adjust for optimal appearance. Actual display appearance may vary due to (1) different operating conditions, (2) small variations of component tolerances, (3) inaccuracies of our camera, (4) color interpretation of the photos on your monitor, and/or (5) personal differences in the perception of color.

DEFINITION OF ACTIVE AREA AND VIEWING AREA





ACCEPTANCE SAMPLING

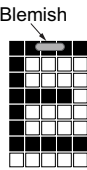
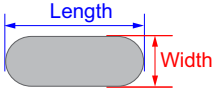
DEFECT TYPE	AQL*
Major	≤0.65%
Minor	≤1.00%
*Acceptable Quality Level: maximum allowable error rate or variation from standard	

DEFECTS CLASSIFICATION

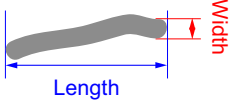
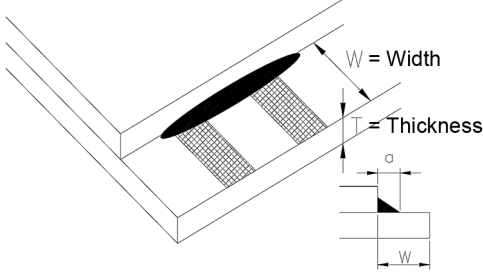
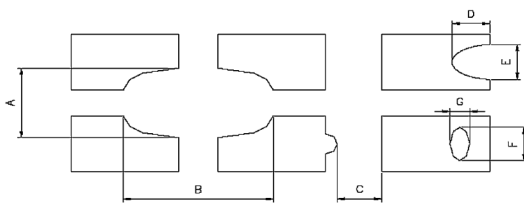
Defects are defined as:

- Major Defect: results in failure or substantially reduces usability of unit for its intended purpose
- Minor Defect: deviates from standards but is not likely to reduce usability for its intended purpose

ACCEPTANCE STANDARDS

#	DEFECT TYPE	CRITERIA		MAJOR / MINOR	
1	Electrical defects	1. No display, display malfunctions, or shorted segments. 2. Current consumption exceeds specifications.		Major	
2	Viewing area defect	Viewing area does not meet specifications. (See Inspection Conditions (Pg. 81)).		Major	
3	Contrast adjustment defect	Contrast adjustment fails or malfunctions.		Major	
4	Blemishes or foreign matter on display segments		<i>Defect Size (mm)</i>	<i>Acceptable Qty</i>	Minor
			≤0.3	3	
			≤2 defects within 10 mm of each other		
5	Other blemishes or foreign matter outside of display segments	Defect size = (A + B)/2 	<i>Defect Size (mm)</i>	<i>Acceptable Qty</i>	Minor
			<0.15	Ignore	
			0.15 to 0.20	3	
			0.20 to 0.25	2	
			0.25 to 0.30	1	



#	DEFECT TYPE	CRITERIA			MAJOR / MINOR
6	Dark lines or scratches in display area 	<i>Defect Width (mm)</i>	<i>Defect Length (mm)</i>	<i>Acceptable Qty</i>	Minor
		≤0.03	≤3.0	3	
		0.03 to 0.05	≤2.0	2	
		0.05 to 0.08	≤2.0	1	
		0.08 to 0.10	≤3.0	0	
		≥0.10	>3.0	0	
7	Bubbles between polarizer film and glass	<i>Defect Size (mm)</i>	<i>Acceptable Qty</i>	Minor	
		<0.20	Ignore		
		0.20 to 0.40	3		
		0.40 to 0.60	2		
		≥0.60	0		
8	Glass rest defect				$a \leq 1/4W$ Minor
9	Display pattern defect				Minor
		<i>Dot Size (mm)</i>	<i>Acceptable Qty</i>		
		$((A+B)/2) \leq 0.2$	≤3 total defects ≤2 pinholes per digit		
		C > 0			
		$((D+E)/2) \leq 0.25$			
		$((F+G)/2) \leq 0.25$			



#	DEFECT TYPE	CRITERIA	MAJOR / MINOR												
10	Chip in corner		Minor												
		<table border="1"> <thead> <tr> <th><i>a</i></th> <th><i>b</i></th> <th><i>c</i></th> <th>Acceptable Qty</th> </tr> </thead> <tbody> <tr> <td><4 mm</td> <td>$\leq W$</td> <td>$c \leq T$</td> <td>3</td> </tr> </tbody> </table>		<i>a</i>	<i>b</i>	<i>c</i>	Acceptable Qty	<4 mm	$\leq W$	$c \leq T$	3				
		<i>a</i>		<i>b</i>	<i>c</i>	Acceptable Qty									
<4 mm	$\leq W$	$c \leq T$	3												
11	Chip on "non-contact" edge of LCD		Minor												
		<table border="1"> <thead> <tr> <th><i>a</i></th> <th><i>b</i></th> <th><i>c</i></th> </tr> </thead> <tbody> <tr> <td>≤ 3 mm</td> <td>≤ 1 mm</td> <td>$\leq T$</td> </tr> <tr> <td>≤ 4 mm</td> <td>≤ 1.5 mm</td> <td>$\leq T$</td> </tr> </tbody> </table>		<i>a</i>	<i>b</i>	<i>c</i>	≤ 3 mm	≤ 1 mm	$\leq T$	≤ 4 mm	≤ 1.5 mm	$\leq T$			
		<i>a</i>		<i>b</i>	<i>c</i>										
≤ 3 mm	≤ 1 mm	$\leq T$													
≤ 4 mm	≤ 1.5 mm	$\leq T$													
12	Chip on "contact" edge of LCD, on the active side		Minor												
		<table border="1"> <thead> <tr> <th><i>a</i></th> <th><i>b</i></th> <th><i>c</i></th> <th>Acceptable Qty</th> </tr> </thead> <tbody> <tr> <td>≤ 2 mm</td> <td>$\leq W/4$</td> <td>$\leq T$</td> <td>Ignore</td> </tr> <tr> <td>≤ 3 mm</td> <td>$\leq W/4$</td> <td>$\leq T$</td> <td>3</td> </tr> </tbody> </table>		<i>a</i>	<i>b</i>	<i>c</i>	Acceptable Qty	≤ 2 mm	$\leq W/4$	$\leq T$	Ignore	≤ 3 mm	$\leq W/4$	$\leq T$	3
		<i>a</i>		<i>b</i>	<i>c</i>	Acceptable Qty									
≤ 2 mm	$\leq W/4$	$\leq T$	Ignore												
≤ 3 mm	$\leq W/4$	$\leq T$	3												



#	DEFECT TYPE	CRITERIA	MAJOR / MINOR												
13	Chip on "contact" edge of LCD, on the inactive side		Minor												
		<table border="1"> <thead> <tr> <th>a</th> <th>b</th> <th>c</th> <th>Acceptable Qty</th> </tr> </thead> <tbody> <tr> <td>≤3 mm</td> <td>≤1 mm</td> <td>≤T</td> <td>Ignore</td> </tr> <tr> <td>≤4 mm</td> <td>≤1.5 mm</td> <td>≤T</td> <td>3</td> </tr> </tbody> </table>		a	b	c	Acceptable Qty	≤3 mm	≤1 mm	≤T	Ignore	≤4 mm	≤1.5 mm	≤T	3
		a		b	c	Acceptable Qty									
		≤3 mm		≤1 mm	≤T	Ignore									
≤4 mm	≤1.5 mm	≤T	3												
14	Chip in seal area		Minor												
		<table border="1"> <thead> <tr> <th>a</th> <th>b</th> <th>c</th> <th>Acceptable Qty</th> </tr> </thead> <tbody> <tr> <td><3 mm</td> <td>≤1.5 mm</td> <td>≤1/2 T</td> <td>3</td> </tr> </tbody> </table>		a	b	c	Acceptable Qty	<3 mm	≤1.5 mm	≤1/2 T	3				
		a		b	c	Acceptable Qty									
		<3 mm		≤1.5 mm	≤1/2 T	3									
Unacceptable if c>50% of glass thickness or if the seal area is damaged.			Major												
15	Backlight defects	<ol style="list-style-type: none"> 1. Light fails or flickers.* 2. Color and luminance do not correspond to specifications.* 3. Exceeds standards for display's blemishes or foreign matter (see test 5, Pg. 82), and dark lines or scratches (see test 6, Pg. 83). <p>*Minor if display functions correctly. Major if the display fails.</p>	Minor												
16	COB defects	<ol style="list-style-type: none"> 1. Pinholes >0.2 mm. 2. Seal surface has pinholes through to the IC. 3. More than 3 locations of sealant beyond 2 mm of the sealed areas. 	Minor												
17	PCB defects	<ol style="list-style-type: none"> 1. Oxidation or contamination on connectors.* 2. Wrong parts, missing parts, or parts not in specification.* 3. Jumpers set incorrectly. 4. Solder (if any) on bezel, LED pad, zebra pad, or screw hole pad is not smooth. <p>*Minor if display functions correctly. Major if the display fails.</p>	Minor												



#	DEFECT TYPE	CRITERIA	MAJOR / MINOR
18	Soldering defects	1. Unmelted solder paste. 2. Cold solder joints, missing solder connections, or oxidation.* 3. Solder bridges causing short circuits.* 4. Residue or solder balls. 5. Solder flux is black or brown. <i>*Minor if display functions correctly. Major if the display fails.</i>	Minor